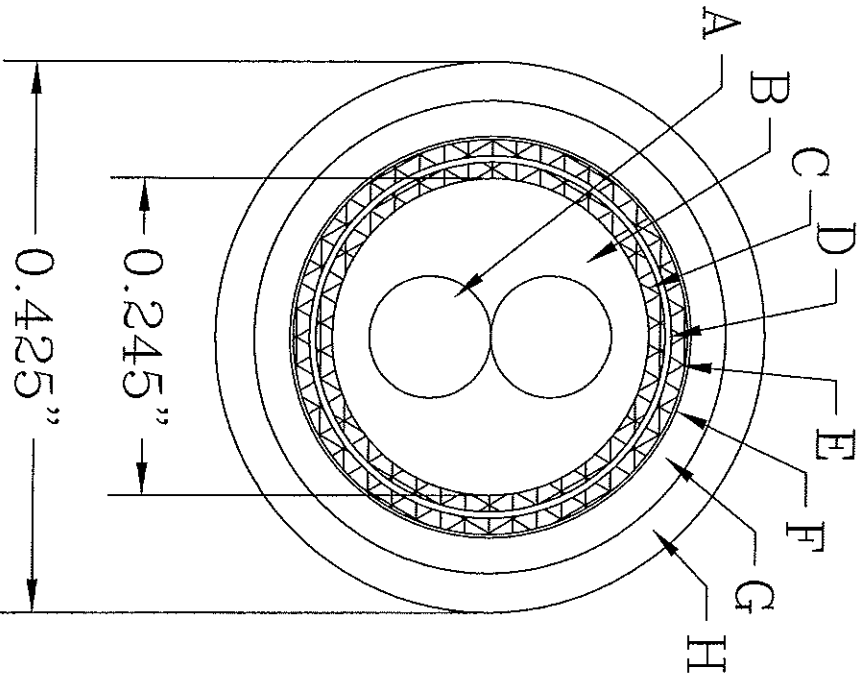


# PN 016451

## DSS-2 MOD (2 SHIELDS)



- A - 2 x #18 AWG 7/26 Tinned Copper, blocked, EPR Insulation, OD - 0.094" BLACK/WHITE
- B - EPR Pressure Extruded Belt
- C - #34 AWG (.0063") TC Braid, 90% coverage
- D - Copper/Polyester Tape, copper faced out
- E - #34 AWG (.0063") TC Braid, 90% coverage
- F - Adhesive Polyester Tape
- G - .030" wall EPR 1st Jacket
- H - .030" wall Neoprene 2nd Jacket

NOTE: Weight in air - 144 lbs/kft  
 Weight in seawater - 81 lbs/kft  
 Voltage Rating - 600 volts

**COPYRIGHT**  
 This print is strictly confidential. It is printed for use exclusively with Draka products. Draka reserves the rights to this print and no print can be copied and/or distributed without the expressed written permission of Draka.

DR'N *WJ* DATE *5/15/14*  
 CH'K DATE  
 AP'R DATE



DRAKA  
 22 Joseph E. Warner Blvd  
 North Dighton, MA 02764  
 Tel: 800-333-4248  
 Fax: 508-822-1944  
 www.drakausa.com

NO.	REVISION / CHANGE	DATE	BY
10	SCN 26202	11/4/02	RA