

ENGINEERING APPROVED  
VENDOR - PURCHASED

MFGR SPECIFICATIONS:

CONDUCTOR: 18AWG 7(S) NICKEL  
PLATED COPPER  
  
INSULATION: 260°C EXTRUDED  
PERFLUOROALKOXY (PFA)  
  
JACKET: BLACK EXTRUDED 260°C PFA  
  
TEMP RATING: -80°C TO 260°C  
  
VOLTAGE: 300 VOLTS  
  
RoHS COMPLIANT: YES

MANUFACTURER:  
MULTI/CABLE CORPORATION  
37 HORIZON DRIVE  
BRISTOL, CT 06010  
PH: 1-860-589-9035

VENDOR:  
MERCURY ELECTRONICS  
P.O. BOX 248  
SEVEN VALLEYS, PA 17360  
PH: 1-717-428-0222

DESCRIPTION:  
HIGH TEMP TWISTED PAIR  
THERMOCOUPLE CABLE  
UNSHIELDED, PFA INSULATED & JACKETED

REVISIONS									
REV/IND	ECO/KAA/NUM. AMT	ZONES/Anderungsorte	DESCRIPTION/Beschreibung/ETAIT AVANT	DATE	BY/MODIF.	APV.			
A	207897	.	FIRST RELEASE						

MANITOWOC P/N	MFGR P/N	CONDUCTOR WIRE SIZE	CONDUCTOR STRANDING	CONDUCTOR INSUL O.D.	CONDUCTORS/TWIST PAIRS	FIG NO.	CONDUCTOR AMPACITY	JACKET O.D.	JACKET WALL	VOLTAGE RATING	WT PER FT IN kg
80051683	39218(7NPC)-1P	18 GA	7(S)	0.068	1 PAIR	1	8A	0.160	0.012	300V	0.0086
80051684	39018(7NPC)-2P	18 GA	7(S)	0.068	2 PAIR	2	8A	0.268	0.015	300V	0.0177
80051685	39018(7NPC)-3P	18 GA	7(S)	0.068	3 PAIR	3	8A	0.286	0.015	300V	0.0245

COLOR CODE CHART	
1 PAIR	BLACK & RED
2 PAIR	BLACK & RED
	BLACK & WHITE
3 PAIR	BLACK & RED
	BLACK & WHITE
	BLACK & GREEN

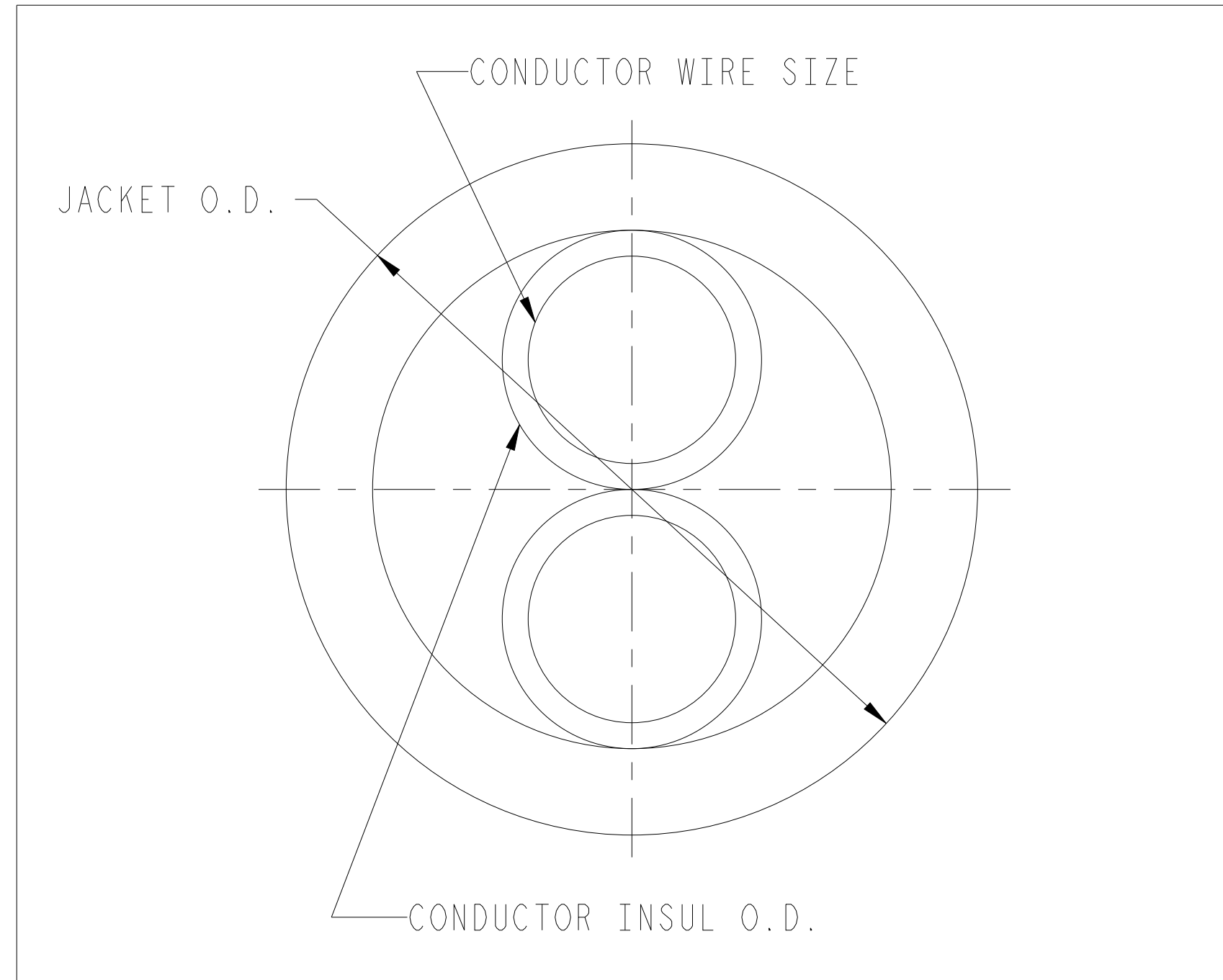


FIGURE 1

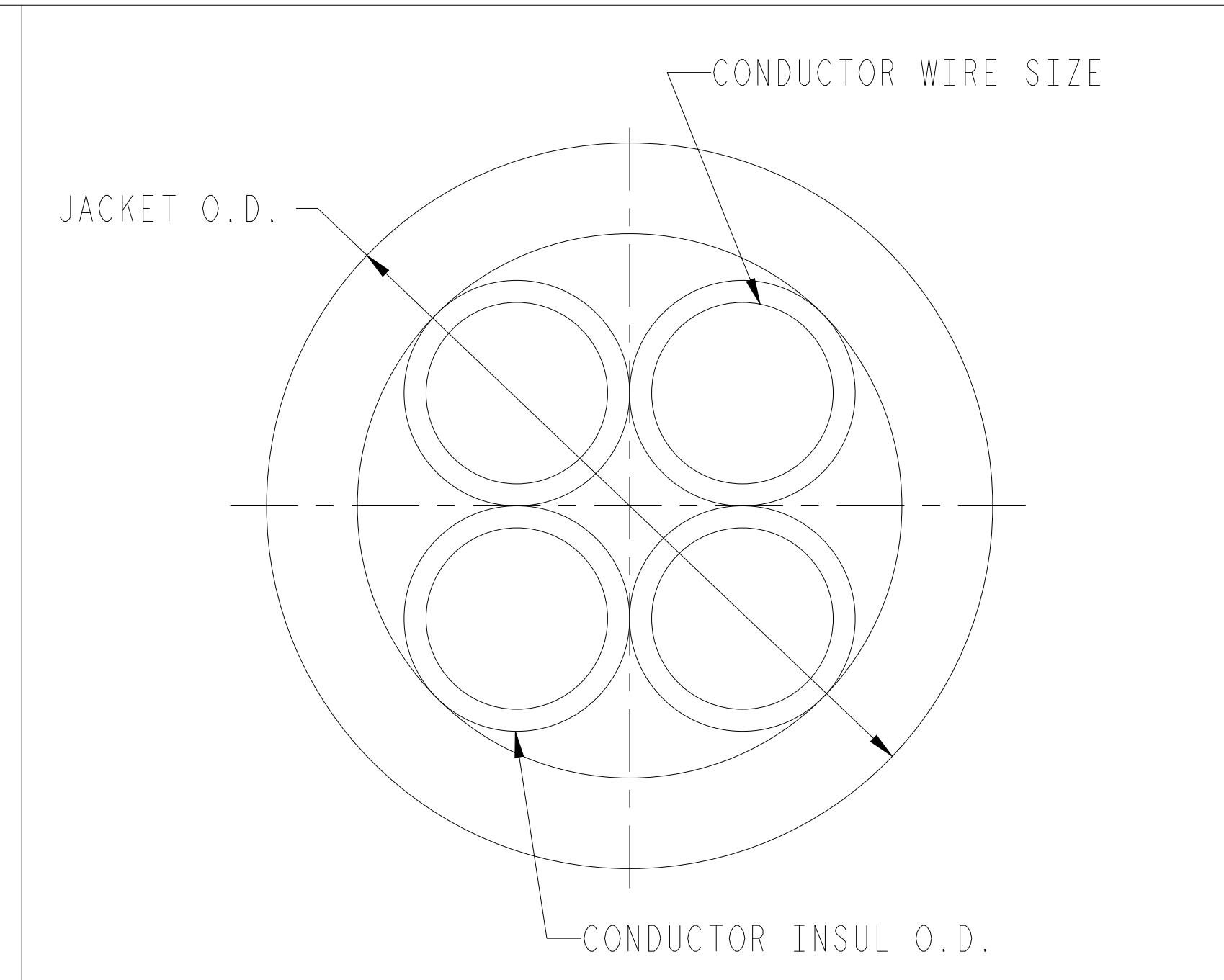


FIGURE 2

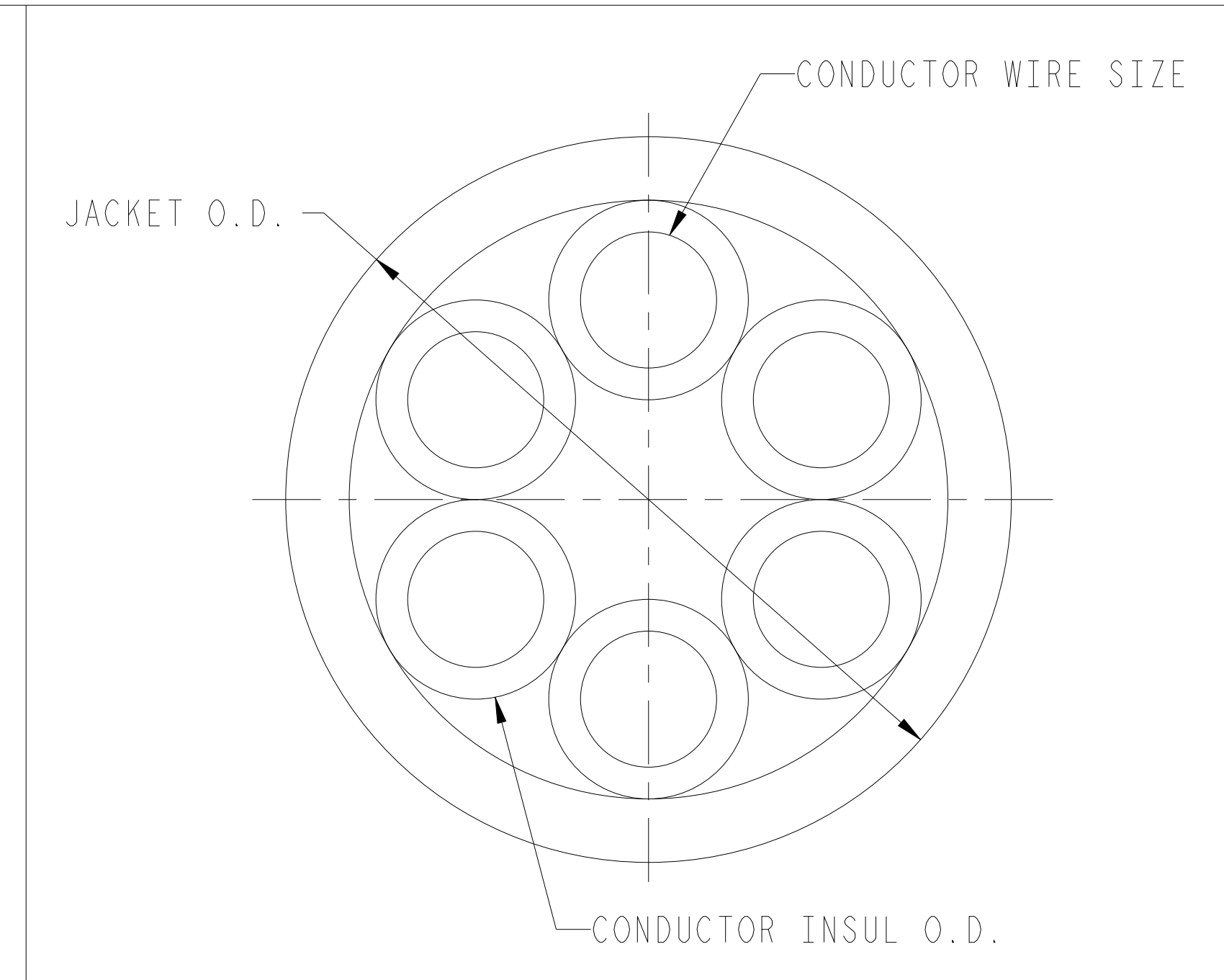


FIGURE 3

PART NO. 80051682

INCH

<p>THIS DOCUMENT CONTAINS INFORMATION THAT IS CONFIDENTIAL AND PROPRIETARY TO THE MANITOWOC COMPANY, INC. OR ITS SUBSIDIARIES (MANITOWOC). THIS DOCUMENT IS THE EXCLUSIVE PROPERTY OF MANITOWOC AND IT SHALL NOT BE USED, REPRODUCED, RELEASED TO ANY THIRD PARTY, OR RELIED UPON BY ANY THIRD PARTY FOR ANY USE WHATSOEVER, IN WHOLE OR IN PART, WITHOUT THE EXPRESS WRITTEN PERMISSION OF MANITOWOC. ALL RIGHTS RESERVED.</p>	<p>PRIVATE LABELING REQUIREMENT TO CONFORM TO ENGINEERING SPECIFICATION 6829103794 FOR COMPONENTS LISTED IN GDS500-05-035.</p>	TOLERANCES UNLESS OTHERWISE SPECIFIED		IF IN DOUBT, ASK In Zweifel Nachfragen	DO NOT SCALE	DATE	NAME/NOV	GROUP CREATOR		
		DECIMAL PLACES	TOLERANCE	MATERIAL/Workstoff/Matiere	BRUN/Bezugs-Gezeichnet	240CT2012	L MARTIN	EEC		
		(2) PLACE 0.00 in	±0.06 in	GD&T: ASME Y14.5M-1994	CHECK/Gepr. Freigegeben	240CT2012	B RIFE	TITLE/Benennung/Description		
		(3) PLACE 0.000 in	±0.016 in	THIRD ANGLE PROJECTION	APPROBATED/Geprüft	240CT2012	J RUDY	CHART CABLE MULTI CONDUCTOR TWISTED		
ANGLES	±0° 30'	MODEL (IF FIRST USED)	STRECK/Strich			SHEET CASE CODE	D 12361	DRAWING/Zeichnungs-Nr./Article	REV/Revis	
		FIG BE	TMS9000E10	CONTROL/Steuer		SCALE/Maßstab/Echelle		MASS/Gewicht/Masse	80051682	8 OF 1