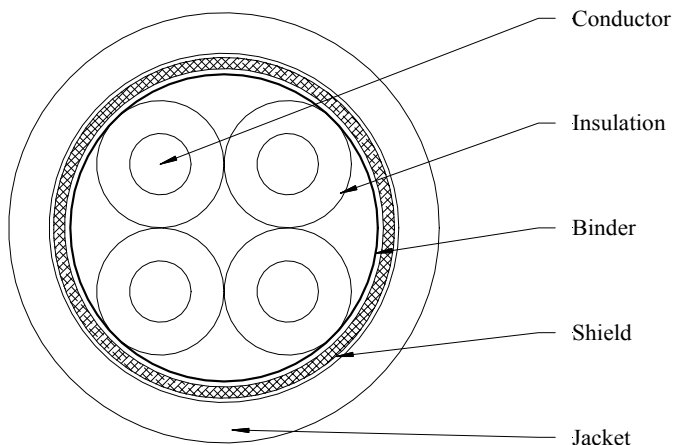


4 CONDUCTOR 18 AWG CABLE



ELECTRICAL CHARACTERISTICS

Conductor DC Resistance: 7.0 Ohms/1000 ft Nominal @ 20°C

SAFETY CERTIFICATION

UL Recognized: AWM Style 2343 80°C VW-1

RoHS Compliance: In Accordance to European Directive 2002/95/EC, Issue 13.2.2003

CONSTRUCTION

Single Component

Conductor: 18 AWG 16/30 Bare Copper, 0.045 Inch Diameter

Insulation: 0.016 Inches of XPbT, 0.077 Inch Diameter

Final Assembly

Core: 4 Singles (#1-4) Cabled Together

Binder: Paper Tape

Shield: 36 AWG Bare Copper Braid, 85% Coverage

Jacket: 0.074 Inches of XPbT, Color – Warm White

Diameter: 0.360 Inches Nominal

Print Legend (Indent): "MADISON CABLE AWM STYLE 2343 80°C VW-1
RoHS COMPLIANT"

COLOR CODE

Conductor #	Insulation Color
1	White
2	Red
3	Black
4	Brown

125 Goddard Memorial Drive • Worcester, MA 01603 USA
Tel: (508) 752-2884 Toll-Free: (877) MADISON Fax: (508) 752-4230

REVISION HISTORY

Rev #	Date	By	Description
1	10/05/05	DC	Initial Release
2	06/17/08	HA	Revised Print Legend

Spec Number:	101-3370	Prepared By:	H. Abusamra		
Part Number:	04WJDLF002	Reviewed By:	K. Arsenault	A. Fan	
Customer:					Page
Customer #:					1 of 1

Users should evaluate the suitability of this product for their application. Contact factory for latest revision of specification. Tyco Electronics reserves the right to make changes in materials or processing, which do not affect compliance with any specification, without notification to the Buyer.