

NOTES:

1. STANDARDS: SAE J-1811
2. DIMENSIONS ARE IN INCHES
3. POST HOLE HAS 1:9 TAPER
4. CRIMP LINES, SIZE & DIE MARKINGS ON BARREL ARE TO BE INK MARKED IN THE APPROPRIATE COLOR.

MATERIAL: C11000 ETP COPPER
 PLATING: ELECTRO-TIN .0002" - .0003"

TOLERANCES-UNLESS OTHERWISE SPECIFIED
 2 PL. DEC. ±.030 TRUE C.L. ±.015
 3 PL. DEC. ±.015 ANGLES ±1

DWG. NO.

18120-18194

DRAWN BY: KT SCALE: 1:1

DATE: 4/5/2013 SIZE: A

FTZ INDUSTRIES 864-963-5000

APPROVED BY: KT

REV.

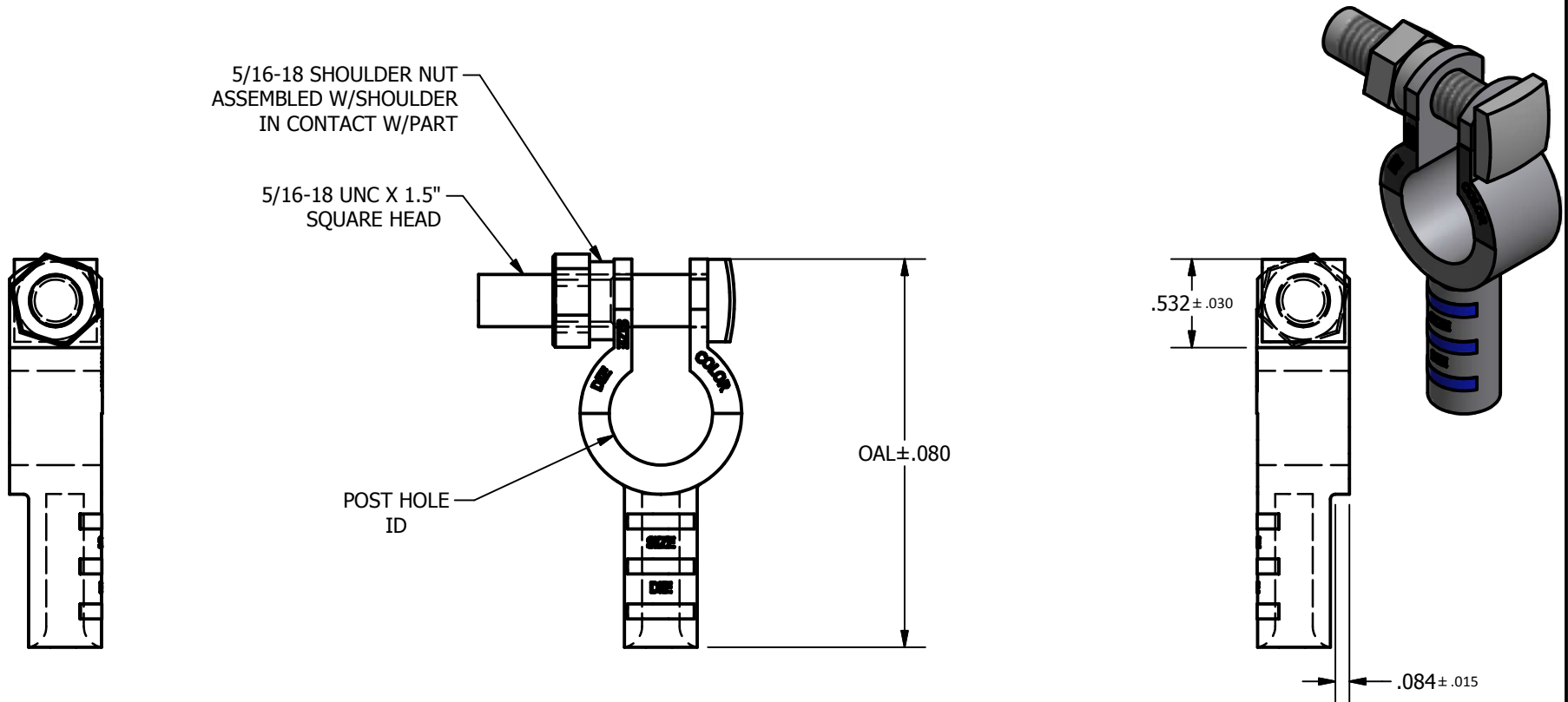
DESCRIPTION

SHEET 1 OF 1

A

ORIGINAL INVENTOR RELEASE

05/04/2013



Part Number	Polarity	Size	Description	OAL	Width	Barrel ID	Post Hole ID	Color	Die
18120	Negative	6 GA	6 GA. STRAIGHT NEGATIVE POST TOP	2.330	NA	0.225	0.620	BLUE	J-H
18121	Positive	6 GA	6 GA. STRAIGHT POSITIVE POST TOP	2.330	NA	0.225	0.690	BLUE	J-H
18123	Negative	4 GA	4 GA. STRAIGHT NEGATIVE POST TOP	2.330	NA	0.265	0.620	GRAY	J-H
18124	Positive	4 GA	4 GA. STRAIGHT POSITIVE POST TOP	2.330	NA	0.265	0.690	GRAY	J-H
18143	Negative	1-2 GA	1-2 GA. STRAIGHT NEGATIVE POST TOP	2.330	NA	0.354	0.620	PINK	H-H
18144	Positive	1-2 GA	1-2 GA. STRAIGHT POSITIVE POST TOP	2.330	NA	0.354	0.690	PINK	H-H
18163	Negative	1/0	1/0 STRAIGHT NEGATIVE POST TOP	2.330	NA	0.433	0.620	BLACK	E-A
18164	Positive	1/0	1/0 STRAIGHT POSITIVE POST TOP	2.330	NA	0.433	0.690	BLACK	E-A
18173	Negative	2/0	2/0 STRAIGHT NEGATIVE POST TOP	2.330	NA	0.461	0.620	ORANGE	A-C
18174	Positive	2/0	2/0 STRAIGHT POSITIVE POST TOP	2.330	NA	0.461	0.690	ORANGE	A-C
18183	Negative	3/0	3/0 STRAIGHT NEGATIVE POST TOP	2.330	NA	0.551	0.620	PURPLE	A-B
18184	Positive	3/0	3/0 STRAIGHT POSITIVE POST TOP	2.330	NA	0.551	0.690	PURPLE	A-B
18193	Negative	4/0	4/0 STRAIGHT NEGATIVE POST TOP	2.330	NA	0.630	0.620	YELLOW	A-A
18194	Positive	4/0	4/0 STRAIGHT POSITIVE POST TOP	2.330	NA	0.630	0.690	YELLOW	A-A