

NOTES:

1. STANDARDS: SAE J-1811
2. DIMENSIONS ARE IN INCHES
3. POST HOLE HAS 1:9 TAPER
4. CRIMP LINES, SIZE & DIE MARKINGS ON BARREL ARE TO BE INK MARKED IN THE APPROPRIATE COLOR.

MATERIAL: C11000 ETP COPPER
 PLATING: ELECTRO-TIN .0002" - .0003"

TOLERANCES-UNLESS OTHERWISE SPECIFIED
 2 PL. DEC. ±.030 TRUE C.L. ±.015
 3 PL. DEC. ±.015 ANGLES ±1

DWG. NO.

18120-18194

DRAWN BY: KT SCALE: 1:1

DATE: 4/5/2013 SIZE: A

FTZ INDUSTRIES 864-963-5000

APPROVED BY: KT

REV.

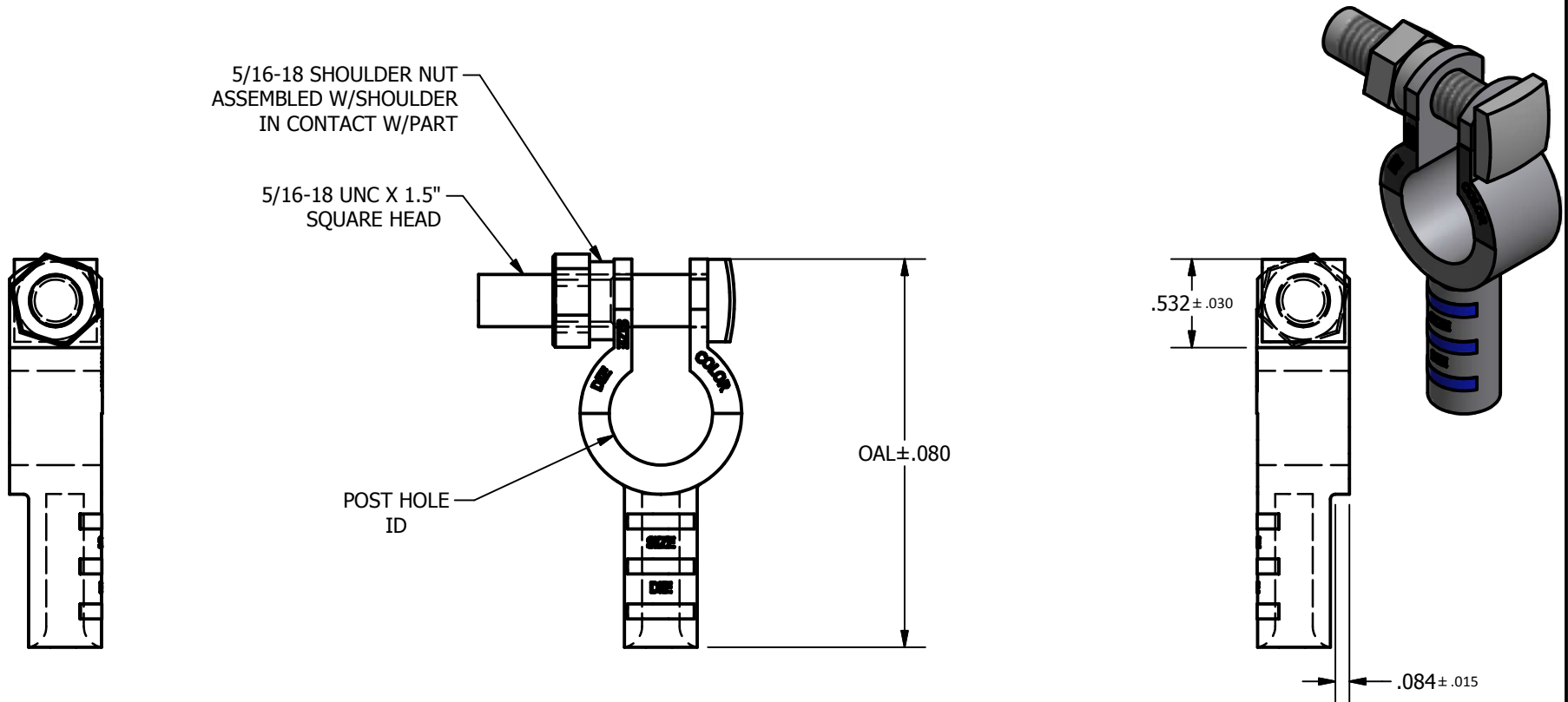
DESCRIPTION

SHEET 1 OF 1

A

ORIGINAL INVENTOR RELEASE

05/04/2013



| Part Number | Polarity | Size | Description | OAL | Width | Barrel ID | Post Hole ID | Color | Die |
|-------------|----------|--------|------------------------------------|-------|-------|-----------|--------------|--------|-----|
| 18120 | Negative | 6 GA | 6 GA. STRAIGHT NEGATIVE POST TOP | 2.330 | NA | 0.225 | 0.620 | BLUE | J-H |
| 18121 | Positive | 6 GA | 6 GA. STRAIGHT POSITIVE POST TOP | 2.330 | NA | 0.225 | 0.690 | BLUE | J-H |
| 18123 | Negative | 4 GA | 4 GA. STRAIGHT NEGATIVE POST TOP | 2.330 | NA | 0.265 | 0.620 | GRAY | J-H |
| 18124 | Positive | 4 GA | 4 GA. STRAIGHT POSITIVE POST TOP | 2.330 | NA | 0.265 | 0.690 | GRAY | J-H |
| 18143 | Negative | 1-2 GA | 1-2 GA. STRAIGHT NEGATIVE POST TOP | 2.330 | NA | 0.354 | 0.620 | PINK | H-H |
| 18144 | Positive | 1-2 GA | 1-2 GA. STRAIGHT POSITIVE POST TOP | 2.330 | NA | 0.354 | 0.690 | PINK | H-H |
| 18163 | Negative | 1/0 | 1/0 STRAIGHT NEGATIVE POST TOP | 2.330 | NA | 0.433 | 0.620 | BLACK | E-A |
| 18164 | Positive | 1/0 | 1/0 STRAIGHT POSITIVE POST TOP | 2.330 | NA | 0.433 | 0.690 | BLACK | E-A |
| 18173 | Negative | 2/0 | 2/0 STRAIGHT NEGATIVE POST TOP | 2.330 | NA | 0.461 | 0.620 | ORANGE | A-C |
| 18174 | Positive | 2/0 | 2/0 STRAIGHT POSITIVE POST TOP | 2.330 | NA | 0.461 | 0.690 | ORANGE | A-C |
| 18183 | Negative | 3/0 | 3/0 STRAIGHT NEGATIVE POST TOP | 2.330 | NA | 0.551 | 0.620 | PURPLE | A-B |
| 18184 | Positive | 3/0 | 3/0 STRAIGHT POSITIVE POST TOP | 2.330 | NA | 0.551 | 0.690 | PURPLE | A-B |
| 18193 | Negative | 4/0 | 4/0 STRAIGHT NEGATIVE POST TOP | 2.330 | NA | 0.630 | 0.620 | YELLOW | A-A |
| 18194 | Positive | 4/0 | 4/0 STRAIGHT POSITIVE POST TOP | 2.330 | NA | 0.630 | 0.690 | YELLOW | A-A |