

**CAM-TYPE CONNECTORS (UP TO 400A, 600V)**

**18 Series, Ball Nose**  

| Description                          | Color  | Cat. No.                            |  | Cat. No.                          |  |
|--------------------------------------|--------|-------------------------------------|--|-----------------------------------|--|
|                                      |        | Paralleling Tee<br>Female-Male-Male |  | Tapping Tee<br>Female-Female-Male |  |
| Three-Way Lay Down<br>"T" Connectors | White  | 18A21-W*                            |  | 18A22-W*                          |  |
|                                      | Black  | 18A21-E*                            |  | 18A22-E                           |  |
|                                      | Brown  | 18A21-H*                            |  | 18A22-H*                          |  |
|                                      | Red    | 18A21-R*                            |  | 18A22-R*                          |  |
|                                      | Blue   | 18A21-B*                            |  | 18A22-B*                          |  |
|                                      | Orange | 18A21-O*                            |  | 18A22-O*                          |  |
|                                      | Green  | 18A21-G*                            |  | 18A22-G*                          |  |
|                                      | Yellow | 18A21-Y*                            |  | 18A22-Y*                          |  |

| Description       | Color  | Cat. No.                                    |          | Cat. No.  |         |
|-------------------|--------|---|----------|---|---------|
|                   |        | Threaded Stud Style<br>(Cable Size: #2-4/0) |          | Double Set Screw Style<br>(Cable Size: 1/0-4/0) |         |
|                   |        | Male  | Female   | Male  | Female  |
| Panel Receptacles | White  | 18R21-W                                     | 18R22-W  | 18R23-W   | 18R24-W |
|                   | Black  | 18R21-E                                     | 18R22-E  | 18R23-E   | 18R24-E |
|                   | Brown  | 18R21-H*                                    | 18R22-H* | 18R23-H   | 18R24-H |
|                   | Red    | 18R21-R                                     | 18R22-R  | 18R23-R   | 18R24-R |
|                   | Blue   | 18R21-B                                     | 18R22-B  | 18R23-B*  | 18R24-B |
|                   | Orange | 18R21-O*                                    | 18R22-O* | 18R23-O   | 18R24-O |
|                   | Green  | 18R21-G                                     | 18R22-G  | 18R23-G*  | 18R24-G |
|                   | Yellow | 18R21-Y*                                    | 18R22-Y* | 18R23-Y   | 18R24-Y |



18R22-G



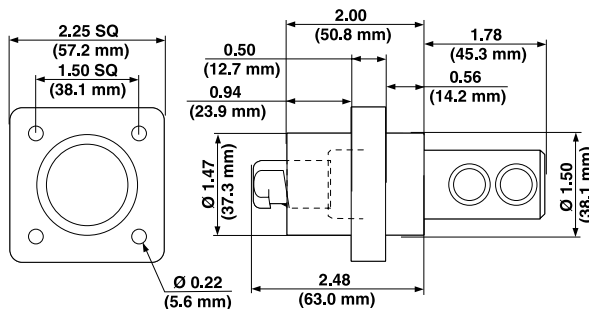
18A22-E

\* Contact factory for availability.

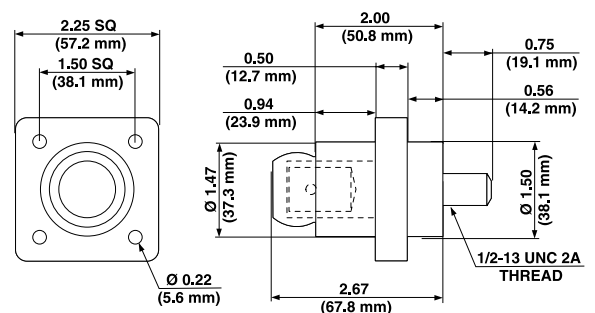
**TESTING AND CODE COMPLIANCE**

- Meets UL Standards (File #E13399)
- CSA Certified (File #152105)

**DIMENSIONS**



Male Double Set Screw Panel Receptacle



Female Threaded Stud Panel Receptacle