

U.I. Lapp GmbH	PRODUCT INFORMATION	
EPIC® H-A 16 TBF-LB		05.11.2015

These connectors are attractive because of their compact housing.
Small and compact, for applications with high number of contacts



Industrial machinery and plant engineering



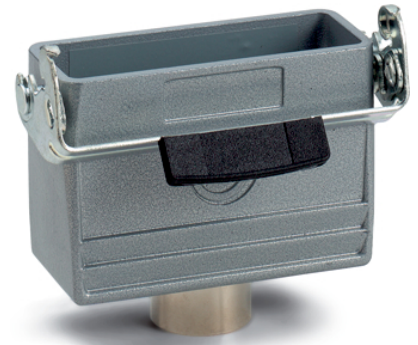
Mechanical resistance



Robust



Waterproof



Application range

Machine and equipment manufacturing
Control engineering
Electronic laboratory

Product features

Cable coupler hood, low version
Single lever
Straight cable entry
Versions with / without neck

Remark

Photographs are not to scale and do not represent detailed images of the respective products.

Technical Data

Material:	Housing: aluminium alloy, grey Lever: zinc-plated steel Sealing: NBR
Protection rating:	IP 65 (latched)
Temperature range:	-40°C to +100°C, short-term up to +125°C

Product Management	Document: LAPP_PRO405EN.pdf	1 / 3
--------------------	-----------------------------	-------

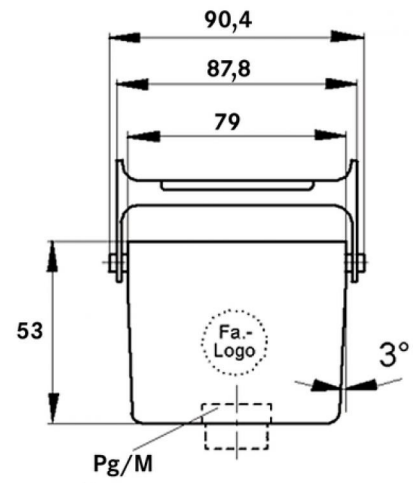
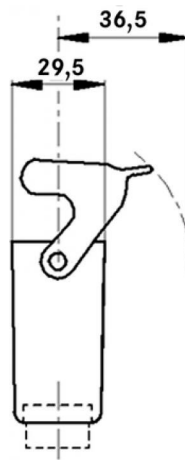


EPIC® H-A 16 TBF-LB

05.11.2015

Part number	Article description	M	PG	Neck	Pieces / PU
H-A housing: cable coupler hood (straight cable entry, single lever)					
10563000	H-A 16 TBF-LB 16		16	yes	5
19563000	H-A 16 TBF-LB M20	20			5
19563200	H-A 16 TBF-LB M25	25			5

U.I. Lapp GmbH	PRODUCT INFORMATION	 LAPP GROUP
EPIC® H-A 16 TBF-LB		05.11.2015



Product Management	Document: LAPP_PRO405EN.pdf	3 / 3
--------------------	-----------------------------	-------