



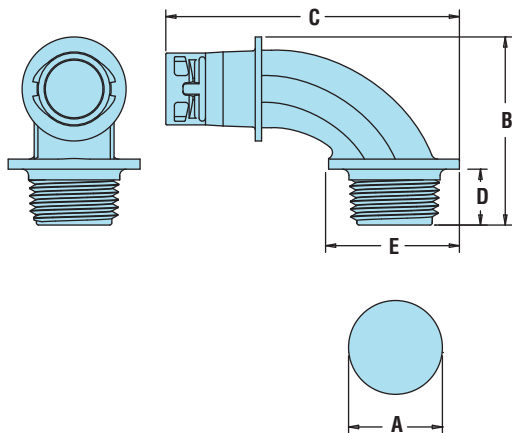
## Heyco-Flex™ III Liquid Tight Fittings

For Flexible, Nonmetallic Liquid Tight Tubing  
**90° Sweep, NPT Hubs**

FITS CONDUIT/ TUBING TRADE SIZE	PART NO.	DESCRIPTION	THREAD SIZE	PART DIMENSIONS									
				A		B		C		D		E	
				Clearance Hole		Max O.A. Height		Max O.A. Length		Thread Length		Flange Dia.	
				in.	mm.	in.	mm.	in.	mm.	in.	mm.	in.	mm.
3/8	1955	HF3C 3/8-90R	1/2 NPT	.875	22,2	1.75	44,5	2.74	69,6	.52	13,2	1.23	31,2
1/2	1956	HF3C 1/2-90R											
3/4	1957	HF3C 3/4-90R	3/4 NPT	1.109	28,2	2.10	53,3	3.08	78,2	.52	13,2	1.50	38,1
1	1958	HF3C 1-90R	1 NPT	1.375	34,9	2.67	67,8	3.66	93,0	.69	17,5	1.80	45,7

Standard color black.

- For use with Heyco-Flex III Corrugated Tubing in trade sizes 3/8" through 1". See page 2-18.
- Nontoxic and UV resistant.
- **Rated for NEMA 4 and 4X applications when used with Heyco-Flex III Tubing.**
- Rated for NEMA Type 3R applications.
- Easy, permanent assembly between the tubing and fittings: push the tubing over the fitting ferrule until the tubing clicks into place.
- Lightweight and lower installed cost.
- Quick and easy installation.
- Suitable for use in high vibration or flexing applications (automotive equipment, fiber optics, computer and peripherals, lab equipment, robotics, etc.).
- Resist salt water, weak acids, gasoline, alcohol, oil, grease, and common solvents. This feature is not assessed by UL certification or testing.
- For use in both wet and dry applications.
- If using a tapped hole, Teflon® tape is needed on the threads of the connector, for all other applications an O-ring and Locknut are needed to attain liquid tight.
- **Locknuts not included.** To order metal or nylon locknuts separately, see pages 2-13 & 2-14.
- Use of an O-ring may be required for a complete liquid tight system with a non-threaded mounting hole. See page 2-17.
- Patented.



**SUGGESTED CLEARANCE HOLE FOR NON-THREADED MOUNTING**

Material	Nylon 6/6
Certifications	Certified to both Canadian and U.S. Requirements File E121095
Flammability Rating	94V-2
Temperature Range	-22°F (-30°C) to 221°F (105°C)
IP Rating	IP 64

*Quick  
Specs*