

2-320569-6 ✓ ACTIVE



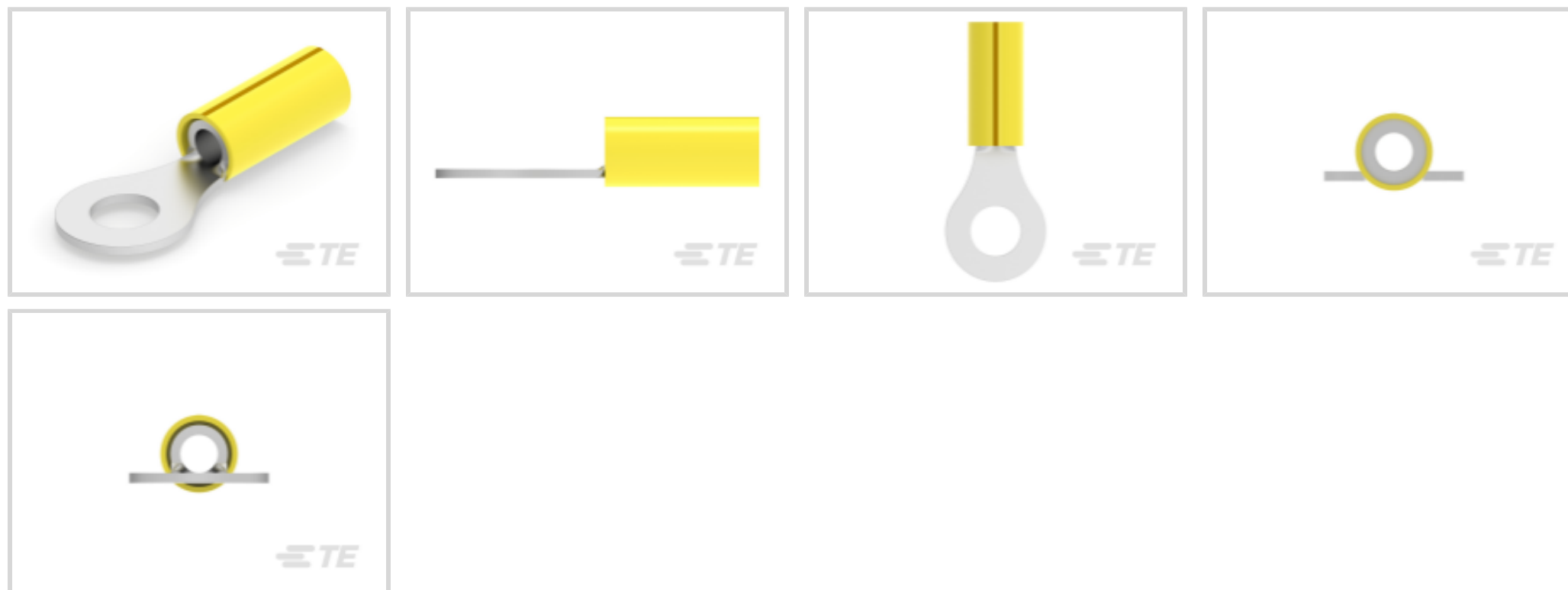
PIDG

TE Internal #: 2-320569-6

Closed Ring Tongue Terminal, 10 AWG, 1/4 / M6 Stud Size, 6.73 mm [.265 in] Stud Diameter, Closed Barrel, Straight, Tin, Partially Insulated, PIDG

[View on TE.com >](#)

Terminals & Splices > Ring Terminals > PIDG Ring Tongue Terminals



Ring Terminal Product Type: Closed Ring Tongue Terminal

Wire Size: 12066 CMA

Stud Size: 1/4, M6

[All PIDG Ring Tongue Terminals \(410\)](#)

Features

Configuration Features

| | |
|-----------------|---|
| Number of Holes | 1 |
|-----------------|---|

Mechanical Attachment

| | |
|-------------------------|------|
| Wire Insulation Support | With |
|-------------------------|------|

Electrical Characteristics

| | |
|----------------|-------|
| Voltage Rating | 300 V |
|----------------|-------|

Industry Standards

| | |
|-------------------------------|-----|
| Government Qualified Terminal | Yes |
|-------------------------------|-----|

Body Features

| | |
|----------------|---------|
| Product Weight | 2.504 g |
|----------------|---------|

| | |
|--------------|-------|
| Stripe Color | Brown |
|--------------|-------|

Packaging Features

| | |
|--------------------|-----|
| Packaging Quantity | 500 |
|--------------------|-----|

| | |
|------------------|-------------|
| Packaging Method | Loose Piece |
|------------------|-------------|



Contact Features

| | |
|---------------------------|----------|
| Military Part Class | Class I |
| Barrel Type | Closed |
| Terminal Orientation | Straight |
| Terminal Plating Material | Tin |

Product Type Features

| | |
|--|-----------------------------|
| Ring Terminal Product Type | Closed Ring Tongue Terminal |
| Stud Size | 1/4, M6 |
| Sealable | No |
| Wire Insulation Support Retention Type | Insulation Restriction |

Dimensions

| | |
|--------------------------------------|------------------------------|
| Wire Size | 12066 CMA |
| Stud Diameter | 6.73 mm[.265 in] |
| Tongue Thickness | .79 mm[.031 in] |
| Product Length | 35.36 mm[1.392 in] |
| Compatible Insulation Diameter (Max) | 5.08 mm[.2 in] |
| Compatible Insulation Diameter Range | 3.02 – 5.08 mm[.119 – .2 in] |

Usage Conditions

| | |
|-----------------------------|---------------------|
| Insulation Option | Partially Insulated |
| Operating Temperature Range | 105 °C[221 °F] |

Operation/Application

| | |
|---------------------------------------|--------|
| Compatible With Wire Base Material | Copper |
| Compatible With Wire Plating Material | Tin |

Other

| | |
|--------------------|-----------|
| EU RoHS Compliance | Compliant |
| EU ELV Compliance | Compliant |

Product Compliance

[For compliance documentation, visit the product page on TE.com>](#)

| | |
|---|---|
| EU RoHS Directive 2011/65/EU | Compliant |
| EU ELV Directive 2000/53/EC | Compliant |
| China RoHS 2 Directive MIIT Order No 32, 2016 | No Restricted Materials Above Threshold |



EU REACH Regulation (EC) No. 1907/2006

Current ECHA Candidate List: JUNE 2024 (241)

Candidate List Declared Against: JUNE 2023 (235)

Does not contain REACH SVHC

Halogen Content

Not Low Halogen - contains Br or Cl > 900 ppm.

Solder Process Capability

Not applicable for solder process capability

Product Compliance Disclaimer

This information is provided based on reasonable inquiry of our suppliers and represents our current actual knowledge based on the information they provided. This information is subject to change. The part numbers that TE has identified as EU RoHS compliant have a maximum concentration of 0.1% by weight in homogenous materials for lead, hexavalent chromium, mercury, PBB, PBDE, DBP, BBP, DEHP, DIBP, and 0.01% for cadmium, or qualify for an exemption to these limits as defined in the Annexes of Directive 2011/65/EU (RoHS2). Finished electrical and electronic equipment products will be CE marked as required by Directive 2011/65/EU. Components may not be CE marked. Additionally, the part numbers that TE has identified as EU ELV compliant have a maximum concentration of 0.1% by weight in homogenous materials for lead, hexavalent chromium, and mercury, and 0.01% for cadmium, or qualify for an exemption to these limits as defined in the Annexes of Directive 2000/53/EC (ELV). Regarding the REACH Regulation, the information TE provides on SVHC in articles for this part number is based on the latest European Chemicals Agency (ECHA) 'Guidance on requirements for substances in articles' posted at this URL: <https://echa.europa.eu/guidance-documents/guidance-on-reach>

Compatible Parts



TE Part # 59824-1
TETRA-CRIMP PIDG PG FASTON 22-10 ASSY



TE Part # 59239-4
HHHT PIDG PG 12-10 ASSY



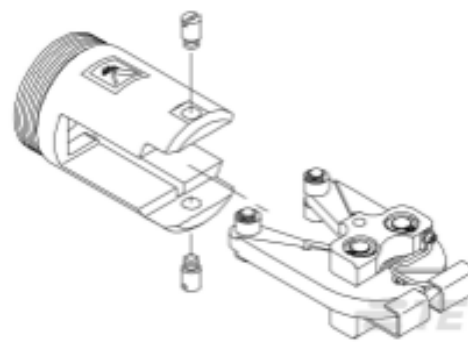
TE Part # 47808-6
DIES PIDG 12-10 DIE SET



TE Part # 169404
CERTI-LOK DIE



TE Part # 2063030-1
SDE DIESET, RBY, UL



TE Part # 679300-1
1210 PIDG CRIMP HEAD



TE Part # 58433-3
PRO CR ASSY, RBY IS9252

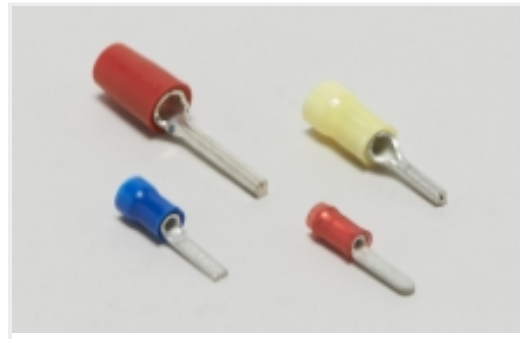


TE Part # 58423-1
DIE, RBY IS9252

Also in the Series | PIDG



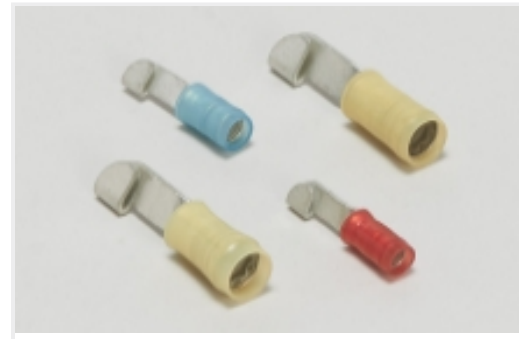
Compression Connectors(17)



Crimp Wire Pins, Tabs & Ferrules(41)



Hand Crimping Tools(2)



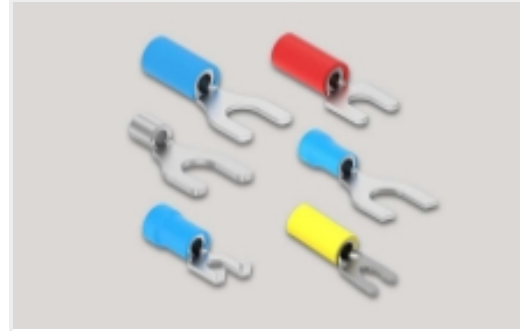
Knife Disconnects(11)



Quick Disconnects(32)



Ring Terminals(588)



Spade Terminals(228)



Special Purpose Terminals(1)



Splices(39)

Customers Also Bought



TE Part #58630-1
PROCRIMP HT&D 12-10 ULTRAFast



TE Part #CAT-P592-R472A
PIDG Ring Tongue Terminal



TE Part #2157914-1
Single Module Plug Assembly

Documents

Product Drawings

[TERMINAL,PIDG R IR 10 1/4](#)

English

CAD Files

[3D PDF](#)

[3D](#)

[Customer View Model](#)



[ENG_CVM_CVM_2-320569-6_AD.2d_dxf.zip](#)

English

Customer View Model

[ENG_CVM_CVM_2-320569-6_AD.3d_igs.zip](#)

English

Customer View Model

[ENG_CVM_CVM_2-320569-6_AD.3d_stp.zip](#)

English

By downloading the CAD file I accept and agree to the [Terms and Conditions](#) of use.

Agency Approvals

CSA Certificate

English