

TECHNOLOGY
DESIGNED WITH
INDUSTRY IN MIND



Industrial Grade Switches

Manual Motor Starting Switches

Safety Disconnect Switches

AC Toggle Switches

*For Harsh Processing Environments
or High Traffic Areas*

PowerSwitch® by Leviton and LevSpec® Industrial Grade Switches

For Use in Harsh, Demanding Manufacturing Environments
and High Traffic, Public-Use Areas

PowerSwitch by Leviton is a line of industrial grade manual motor starting and safety disconnect switches. They provide safe, reliable control of motor loads in harsh process environments, including water washdowns and particulate laden air.



POWERSWITCH BY LEVITON Manual Motor Controllers

AC ON/OFF Control for Single-Phase
or Three-Phase Motor Loads

MS Series Switches

N Series Enclosures and Enclosures
with Switches

PowerSwitch by Leviton Manual Motor Controllers are available with a choice of enclosures: metal or thermoplastic NEMA/Type 1 or metal NEMA/Type 3R. They are suitable for a wide range of processing applications, including manual ON/OFF switching control of bottling lines, pumping machines, air compressors, welders, and other heavy manufacturing equipment.

Features:

- 30, 40 and 60 Amp rated switches available (no overload protection)
- 120V AC through 600V AC
- Max HP rating: 20HP 600V AC

- Available as single switch or enclosure with switch

Enclosure Choices: NEMA/Type 1 thermoplastic;
NEMA/Type 1 powder-coated metal;
NEMA/Type 3R
powder-coated metal

- cUL/NOM

For specifications, see pg. 1-4

Valox® is a registered trademark of General Electric.
PowerSwitch by Leviton and LevSpec are registered trademarks of Leviton Manufacturing Co.

POWERSWITCH BY LEVITON Enclosed Safety Disconnect Switches

AC Control for Horsepower Rated
Motor Loads

DS and EDSR Series Watertight and
Dust-tight Enclosed Switches – Fused
and Non-Fused

PowerSwitch by Leviton Heavy Duty Enclosed Safety Disconnect Switches cut power to the circuit for equipment servicing and are designed to withstand higher short circuit currents than manual motor controllers. Watertight and dust-tight, PowerSwitch Safety Disconnect Switches are the ideal choice for process environments with particulate laden air, outdoor exposure or requiring water washdowns.

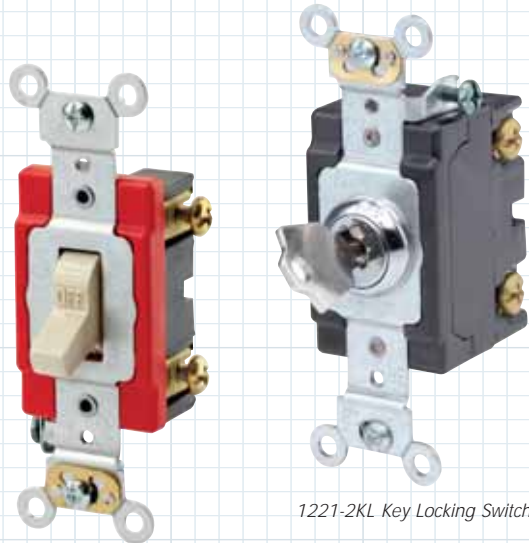


Features:

- 30, 60, and 100 Amp, 600V AC
- Non-Fused and Fused (Class J) switches
- Valox® PBT thermoplastic enclosures: DS Series (IP67, NEMA/Type 3R, 4X, 12K); (EDSR IP54, NEMA/Type 3R)
- Bottom-hinged enclosures, a Leviton exclusive, for faster servicing
- Include factory installed auxiliary contact for remote monitoring
- EDSR includes receptacle mounting bracket and flip lid cover
- UL/CSA/NOM

For specifications, see pg. 5-9

LevSpec® AC Toggle Switches are designed for reliable ON/OFF switching in dry process environments and high traffic, public-use areas such as convention centers, schools, universities, and health care facilities.



1221-2I Standard Toggle Switch

1221-2KL Key Locking Switch

LEVSPEC INDUSTRIAL GRADE AC Toggle Switches

Heavy Duty AC Switches – Standard, Locking, and Key Locking

LevSpec AC Toggle, Locking, and Key Locking Switches provide ON/OFF control of general purpose commercial and industrial equipment such as fans, lighting, appliances, and test equipment.

Available with standard toggle or tamper-resistant, locking actuation mechanisms, LevSpec AC Toggle Switches feature industrial grade mechanisms for repeated, reliable, ON/OFF operation in high traffic, public-use environments.

Locking and Key Locking AC Toggle Switches improve safety by preventing unauthorized use of equipment and dramatically reduce the opportunity for accidental switch actuation.

Features:

- 15, 20 and 30 Amp, 120/277V AC ratings
- Single-Pole, Double-Pole, Three-Way, and Four-Way
- External wiring clamps for fast, accurate back or side wire termination
- Single-piece strap with self-grounding clip and ground screw
- Bodies are color-coded by amperage for quick visual identification
- UL/Fed. Spec./CSA/NOM - Standard Toggle
- UL/CSA/NOM - Key Locking Switch

For specifications, see pg. 10-11

LEVSPEC INDUSTRIAL GRADE Maintained or Momentary Contact AC Toggle Switches

Heavy Duty AC Switches – Standard and Locking

LevSpec Maintained Contact Switches are double-throw switches with a center-off position. Contact is established when the toggle is actuated out of the center position and broken only after the toggle is actuated back to center.

LevSpec Momentary Contact Switches are double-throw switches with a center-off position. Contact is established when the toggle is held up or down in the ON position and broken (OFF) when the toggle is released back to center position.

Available with standard toggle or tamper-resistant, locking actuation mechanisms.

Features:

- 15, 20 and 30 Amp, 120/277V AC ratings
- Single-Pole and Double-Pole
- Brown, Black, Ivory, White or Gray Toggles
- Back and side wired
- UL/CSA/NOM

For specifications, see pg. 10-11



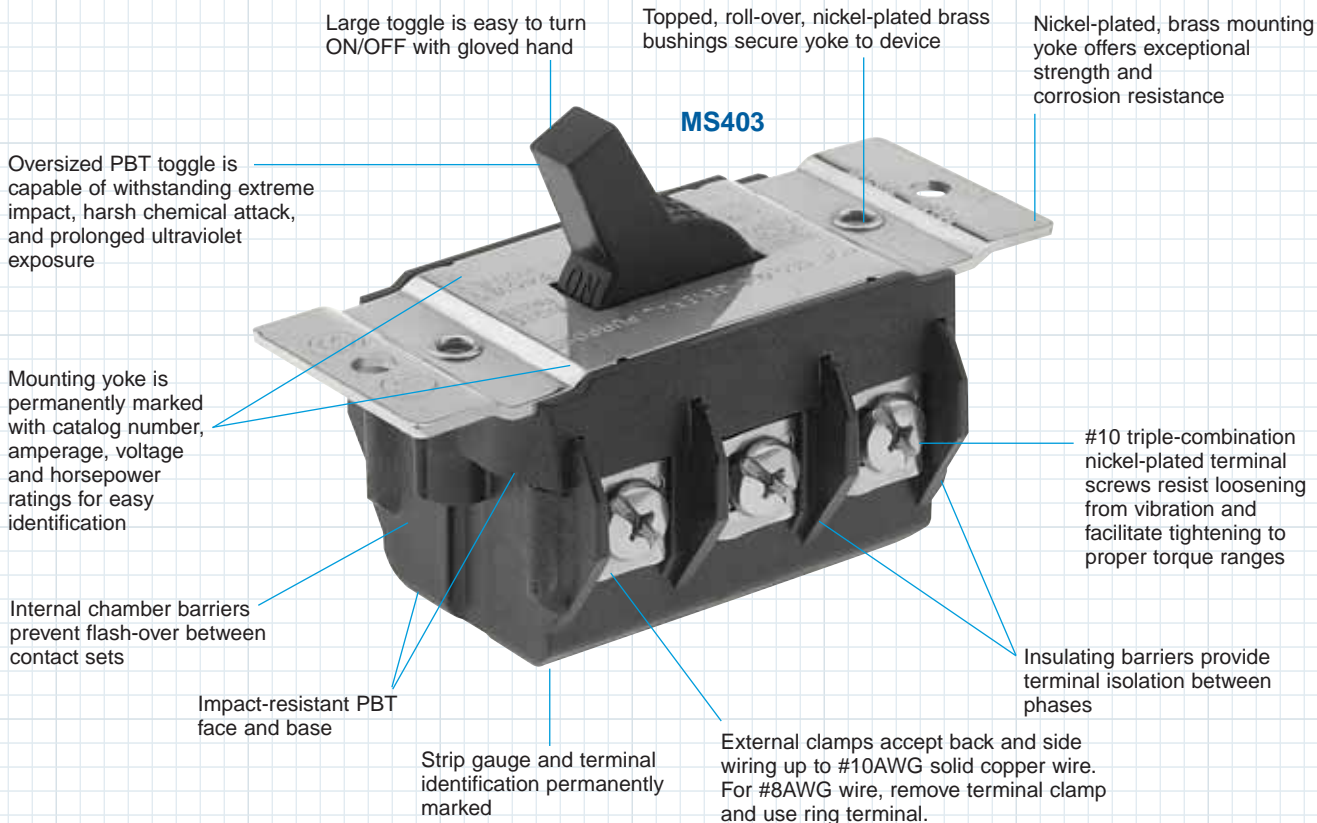
1257-L Momentary Contact
Locking Switch

1281 Maintained Contact Switch

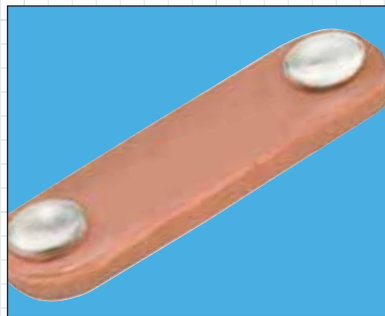
30A & 40A Motor Starting Switch Features

10 YEAR LIMITED WARRANTY

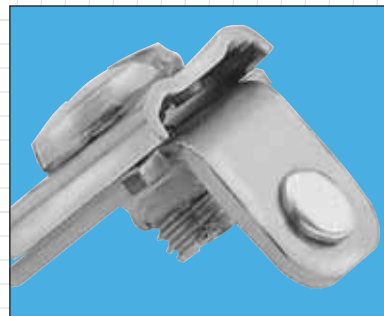
UL 508 Listed
cUL per CSA Specification C22.2 No.14 Certified



Toggle rides on a single-piece, non-conductive, non-tracking, thermoplastic link.



High-performance silver-cadmium oxide contacts minimize wear and erosion.



Nickel-plated brass terminal screws improve current flow and prolong component life.

POWERSWITCH MOTOR STARTING SWITCHES

COMPONENT	DESCRIPTION
Mounting Yoke	.062" Nickel-Plated Brass
Base	PBT
Toggle	PBT
Face	PBT
Contacts	.031" Thick Silver-Cadmium Oxide
Terminal Screws	#10-32 Nickel-Plated Brass Triple Drive Screws
Assembly	Topped, Roll-Over, Nickel-Plated Brass Bushings

STANDARDS & CERTIFICATIONS					
NEMA WD1 & WD6	ANSI C-73	UL 508	UL Fed Spec Listed WS896E	cUL per CSA C22.2 No.14	NOM
✓	✓	#E63969	Not Applicable	#E63969	✓

CAT. NO.	RATING	AC HORSEPOWER RATING	
MS302	30 AMP 600V AC 2-Pole 1Ø	2HP 120V	5HP 240V
		10HP 480V	15HP 600V
MS303	30 AMP 600V AC 3-Pole 3Ø	3HP 120V	7½HP 240V
		15HP 480V	20HP 600V
MS402	40 AMP 600V AC 2-Pole 1Ø	2HP 120V	5HP 240V
		10HP 480V	15HP 600V
MS403	40 AMP 600V AC 3-Pole 3Ø	3HP 120V	7½HP 240V
		15HP 480V	20HP 600V

60A Motor Starting Switch Features

10 YEAR LIMITED WARRANTY

**UL 508 Listed
cUL per CSA Specification C22.2 No.14 Certified**

Large PBT toggle is easy to turn ON/OFF with gloved hand

Topped roll-over zinc-plated brass rivets secure yoke to device

Insulating barriers provide terminal isolation between phases

Impact-resistant PBT face and base

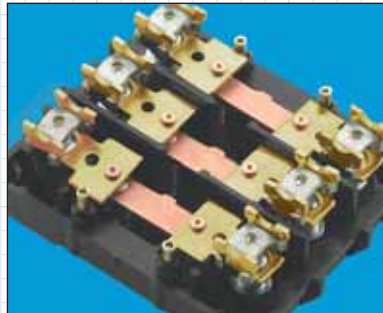
Internal chamber barriers prevent flash-over between contact sets

MS603

Front or back wired terminal screws accept up to a #4 stranded AWG or #10 solid AWG copper wire



Zinc-plated lug-type terminal screws hold conductors securely in place.



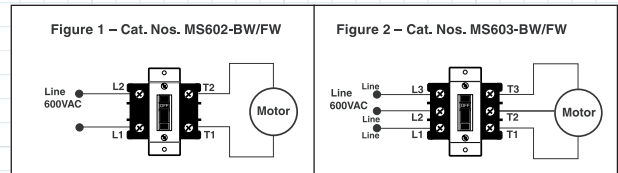
Double contacts run cooler and extend switch life.



Enclosures: NEMA/Type 1 Metal or Plastic and NEMA/Type 3R Metal.

COMPONENT	DESCRIPTION
Mounting Yoke	.062" Nickel-Plated Brass
Base	PBT
Toggle	PBT
Face	PBT
Contacts	.046" Thick Silver-Cadmium Oxide
Terminal Screws	5/16-24 Zinc-Plated Steel, Triple-Combination
Assembly	Topped Roll-Over Zinc-Plated Brass Bushings

STANDARDS & CERTIFICATIONS					
NEMA WD1 & WD6	ANSI C-73	UL 508	UL Fed. Spec. Listed WS896E	CUL per CSA C22.2 No.14	NOM
✓	✓	#E63969	Not Applicable	#E63969	✓



CAT. NO.	RATING	AC HORSEPOWER RATING
MS602	60 AMP 600V AC 2-Pole 1Ø	10HP 240V 15HP 480V 20HP 600V
MS603	60 AMP 600V AC 3-Pole 3Ø	10HP 240V 25HP 480V 30HP 600V

30A & 40A 600V AC

Industrial Grade, Back & Side Wired – MSS Devices,
Side Wired, Bus Bar Termination & Ring Terminal – WS Devices

10 YEAR LIMITED WARRANTY

ELECTRICAL			
DIELECTRIC VOLTAGE	OVERLOAD UL 508 TEST	TEMP. RISE	ENDURANCE
Withstands 2200V for 1min	50 cycles of overload at 6 times rated current	50°C max at full rated current	UL 508 6,000 cycles inductive motor type load. Dual rated General and Manual Motor Control.
MECHANICAL			
TERMINAL I.D.	TERMINAL ACCOMM.	PRODUCT I.D.	TORQUE
T1, T2, T3, L1, L2 & L3 marked on back of device	#10 - #8 AWG	Ratings are permanently stamped on device strap	20 inch pounds

ENVIRONMENTAL					
FLAMMABILITY			OPERATING TEMP.		
Rated V-0 per UL 94			-40°C to 65°C		
CERTIFICATION					
NEMA WD-1 & WD-6	ANSI C-73	UL 508	UL Fed. Spec. WS896E	cUL per CSA C22.2 No.111	NOM
✓	✓	#E63969	Not Applicable	#E63969	#057

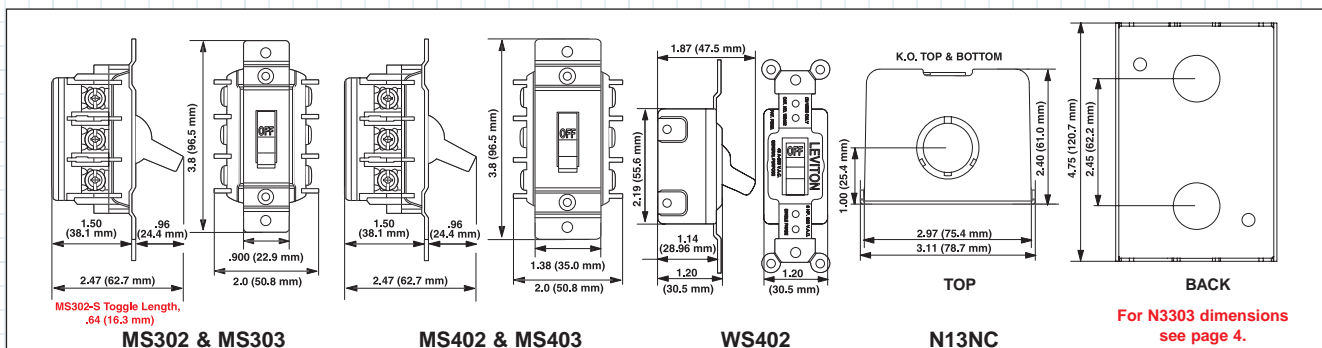


When using the lockout feature on NEMA/Type 3R enclosures and placing the ON/OFF handle in the OFF position, it is recommended that a 5/16" shackle or equivalent padlock with a minimum diameter of 1/4" be used.



TOGGLE COLOR	DOUBLE-POLE SINGLE-THROW			AC HP RATING	THREE-POLE SINGLE-THROW			AC HP RATING
30A 600V AC, Motor Starting Switch								
	Switch Only	Switch in NEMA/Type 1 Enclosure	Switch in NEMA/Type 3R Enclosure	2HP 120V 5HP 240V 10HP 480V 15HP 600V	Switch Only	Switch in NEMA/Type 1 Enclosure	Switch in NEMA/Type 3R Enclosure	3HP 120V 7 1/2HP 240V 15HP 480V 20HP 600V
Black Black (short toggle)	MS302 MS302-S	N1302 -	N3302 -		MS303 MS303-S	N1303 -	N3303 -	
40A 600V AC, Motor Starting Switch								
Black	MS402			2HP 120V 5HP 240V 10HP 480V 15HP 600V	MS403			3HP 120V 7 1/2HP 240V 15HP 480V 20HP 600V
40A 600V AC, Welder Starting Switch (Terminal Screws Packaged Separately) Recognized Component for OEM use.								
Black	WS402			5HP 240V	-			-

NEMA/Type 1 STEEL ENCLOSURE WITHOUT SWITCH For 30 Amp MS Switches	NEMA/Type 3R ENCLOSURE WITHOUT SWITCH For 30 Amp MS Switches	302 STAINLESS STEEL LOCKOUT WALLPLATE w/ TAMPER-RESISTANT SCREWS & SPANNER TOOL	NEMA/Type 1 ENCLOSURES w/ THERMOPLASTIC COVER & w/ 30A 2-P (N1302-T) or 30A 3-P (N1303-T) SWITCH
2 Knockouts 1/2" & 3/4" Top & Bottom N13NC	2 Bottom Knockouts #1 allows: 1/2", 3/4", 1", 1 1/4" #2 allows: 1/2", 3/4" Enclosure Dimensions See page 4. N33NC	 84001-LOK Lock Purchased Separately	 N1303-T (w/ 30A Switch) N13NC-T (Cover Only)



POWERSWITCH MOTOR STARTING SWITCHES

60A 600V AC

10 YEAR LIMITED WARRANTY

Industrial Grade, Front & Back Wired – MSS Devices

ELECTRICAL			
DIELECTRIC VOLTAGE	OVERLOAD UL 508 TEST	TEMP. RISE	ENDURANCE
Withstands 2200V for 1min	50 cycles of overload at 6 times rated current	50°C max at full rated current	UL 508 6,000 cycles inductive motor type load. Dual rated General and Manual Motor Control.

ENVIRONMENTAL	
FLAMMABILITY	OPERATING TEMP.
Rated V-0 per UL94	-40°C to 65°C

MECHANICAL			
TERMINAL I.D.	TERMINAL ACCOMM.	PRODUCT I.D.	TORQUE
T1, T2, T3, L1, L2 & L3 marked on back of device	#10 - #4 AWG	Ratings are permanently stamped on device strap	25 inch pounds

CERTIFICATION					
NEMA WD-1 & WD-6	ANSI C-73	UL 508	UL Fed. Spec. WS896E	cUL per CSA C22.2 No.111	NOM
✓	✓	#E63969	Not Applicable	#E63969	#057



When using the lockout feature on NEMA/Type 3R enclosures and placing the ON/OFF handle in the OFF position, it is recommended that a 5/16" shackle or equivalent padlock with a minimum diameter of 1/4" be used.



MS602-FW



N3603



N3603 - Without Front Cover

TOGGLE COLOR	DOUBLE-POLE SINGLE-THROW			AC HORSEPOWER RATING	THREE-POLE SINGLE-THROW			AC HORSEPOWER RATING
60A 600V AC, Motor Starting Switch								
	Back Wired Switch Only	Front Wired Switch Only	Front Wired Switch in NEMA/Type 3R Enclosure		Back Wired Switch Only	Front Wired Switch Only	Front Wired Switch in NEMA/Type 3R Enclosure	
Black	MS602-BW	MS602-FW	N3602	10HP 240V 15HP 480V 20HP 600V	MS603-BW	MS603-FW	N3603	10HP 240V 25HP 480V 30HP 600V

MS602-BW & MS603-BW **MS602-FW & MS603-FW**

NEMA/TYPE 3R ENCLOSURE WITHOUT SWITCH For 40 or 60 Amp MS Switches

N36NC

2 Bottom Knockouts both allow: 1/2", 3/4", 1", 1 1/4"

SIDE

FRONT

INTERIOR

SIDE

N3302, N3303 & N33NC - See page 3 for Product Information **N3602, N3603 & N36NC**

POWERSWITCH MOTOR STARTING SWITCHES

EDSR-23 Features

2 YEAR LIMITED WARRANTY

UL 508 Listed
cUL per CSA Specification C22.2 No.14 Certified



Space provided for bottom or top conduit entry

Four mounting feet included (5 position settings)

Captive stainless steel screws won't fall out when cover is open

Place receptacle amperage and voltage label here

Impact resistant, non-conductive Valox® thermoplastic housing and handle

DIN rail mounted, IEC non-fused 30A switch mechanism

Ground buss

Neutral buss

Accepts 20A or 30A, up to 600V, V-0-MAX™ locking flush receptacle (sold separately).

Receptacle installs with standard mounting screws

Factory installed cover gasket

One factory installed auxiliary contact (normally open – 10 Amp). Additional auxiliary contacts available (normally closed – 10 Amp). Early make, late break contacts. See page 12 for details.

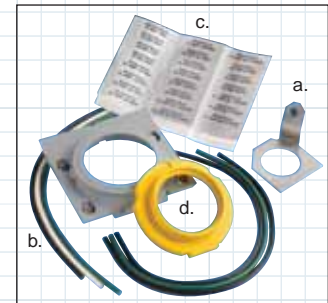
Bottom-hinged mechanism pivots 180 deg. for easy access during installation and maintenance

Housing material has UL94 V-0 self-extinguishing flammability rating

Rated to IP66, NEMA/Type 4X standards when used with Wetguard® seal package and plugs

EDSR-23

- a. 1-green wire and ground bracket
- b. 5 pieces of wire accommodating all receptacle to switch connections (1-white, 1-green, 3-black)
- c. Receptacle voltage labels. After receptacle installation, select the matching amperage/voltage combination label and affix to enclosure label.
- d. Wetguard® seal package for use with corrosion resistant receptacles and Wetguard plugs



EDSR-23 Accessories

STANDARDS & CERTIFICATIONS

Safety Disconnect Switches

UL 98 Fused (Including 100A Non-Fused -DS100-AX)	UL 508 Non-Fused	CSA C22.2 No. 14	NOM	IEC 947-3
#E63969		✓	✓	✓

Valox® is a registered trademark of General Electric.
Wetguard is a registered trademark of Leviton Manufacturing Co.
V-0-MAX is a trademark of Leviton Manufacturing Co.

EDSR-23 Features

Choose locking receptacle and mating plug for EDSR-23 from the list below. Plugs and receptacles sold separately.

POLES/ WIRES	CONFIGURATION			General Purpose		Corrosion Resistant	
	AMPS	VOLTS	NEMA	V-0-MAX™ Receptacle	BLACK & WHITE™ Plug	V-0-MAX™ CR Receptacle	WETGUARD® Plug
2-Pole 3-Wire	20	125V	L5-20	2310/2310-B	2311/2311-PLC*	23CM10	26W47
		250V	L6-20	2320/2320-B	2321/2321-PLC*	23CM20	26W48
		277V AC	L7-20	2330	2331/2331-PLC*	23CM30	26W49
		480V AC	L8-20	2340	2341	NA	-
		600V AC	L9-20	2350	2351	NA	-
3-Pole 4-Wire	20	125/250V	L14-20	2410/2410-B	2411	24CM10	26W74
		3Ø 250V	L15-20	2420/2420-B	2421	24CM20	26W75
		3Ø 480V	L16-20	2430	2431	24CM30	26W76
4-Pole 5-Wire	20	3Ø Y 120/208V	L21-20	2510	2511	NA	26W81
		3Ø Y 277/480V	L22-20	2520	2521	NA	26W82
		3Ø Y 347/600V	L23-20	2530	2531	NA	26W83
2-Pole 3-Wire	30	125V	L5-30	2610/2610-B	2611/2611-PLC*	26CM10	28W47
		250V	L6-30	2620/2620-B	2621/2621-PLC*	26CM20	28W48
		277V AC	L7-30	2630	2631/2631-PLC*	NA	26W49
		480V AC	L8-30	2640	2641	NA	-
		600V AC	L9-30	2650	C2651	NA	-
3-Pole 4-Wire	30	125/250V	L14-30	2710/2710-B	2711	27CM10	28W74
		3Ø 250V	L15-30	2720/2720-B	2721	27CM20	28W75
		3Ø 480V	L16-30	2730/2730-B	2731	NA	28W76
		3Ø 600V	L17-30	2740	2741	NA	28W77
4-Pole 5-Wire	30	3Ø Y 120/208V	L21-30	2810	2811	NA	28W81
		3Ø Y 277/480V	L22-320	2820	2821	NA	28W82
		3Ø Y 347/600V	L23-30	2830	2831	NA	28W83



Black & White™ 2731



V-0-Max™ 2730

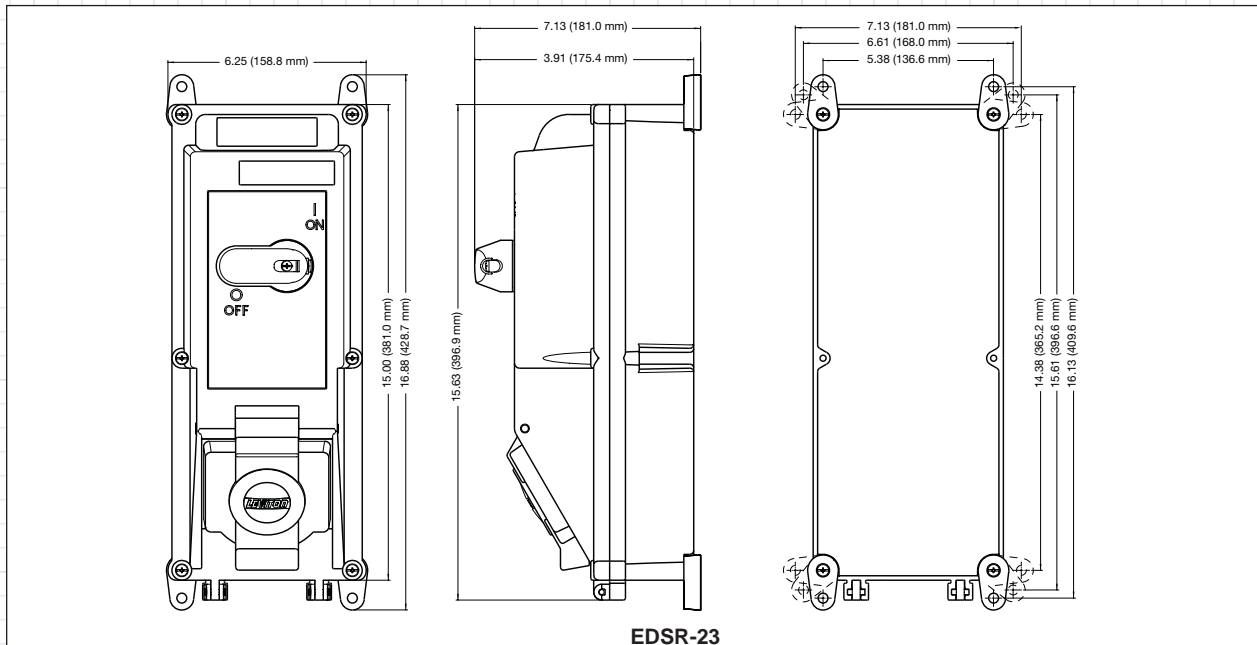


Wetguard® 26W47

*PLC Power Indication Feature

Note: Wetguard Plugs should be used with Corrosion Resistant Receptacles for maximum benefit.

EDSR-23 Dimensions



Black & White is a trademark of Leviton Manufacturing Co.

To learn more about Leviton devices or for answers to technical questions call our Techline at 1-800-824-3005 or visit us at: www.leviton.com

EDSR-23 ENCLOSED SAFETY DISCONNECT SWITCHES

Disconnect Switch Specifications

2 YEAR LIMITED WARRANTY



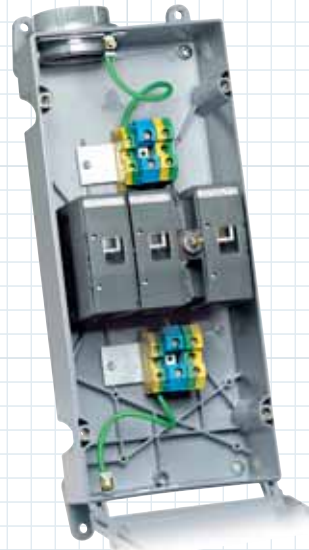
DS Series
Engineered to UL & IEC
Watertight Standards



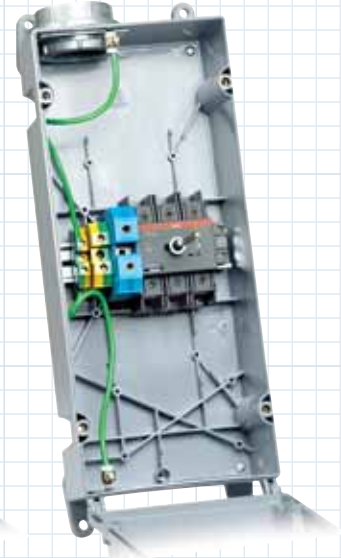
Meets 2002 NEC® Requirements
430.102 (A) and 430.102 (B)



EDSR-23



DS60-FAX
(Fused)



DS100-AX
(Non-Fused)

Ordering Information for Safety Disconnect Switches

AMPS	MAX VOLTAGE	INTERRUPTING RATINGS — RMS SYMMETRICAL AMPERES			
		Non-Fused are suitable for use on circuits capable of delivering not more than (see chart below for catalog no. and value) RMS symmetrical amperes.		Fused, when protected by Class J fuses, 600V AC maximum, are suitable for use on circuits capable of delivering not more than (see chart below for catalog no. and value) RMS symmetrical amperes.	
		CAT. NO. NON-FUSED	RMS SYMMETRICAL AMPS	CAT. NO. FUSED	RMS SYMMETRICAL AMPS
30 60 100	600V AC 600V AC 600V AC	DS30-AX/EDSR-23 DS60-AX DS100-AX	10,000 Amp 50,000 Amp 50,000 Amp	DS30-FAX DS60-FAX -	200,000 Amp 200,000 Amp -

ELECTRICAL			
	Device	Current Applied	Duration
Ground Path Integrity	30A	60A	2 min
	60A	120A	4 min
	100A	200A	6 min
Current Interrupting	Certified for current interrupting at full-rated current and voltage		
Endurance	6000 operations at rated current and voltage (power factor 0.75 – 0.80)		
Dielectric	1000 V plus twice rated voltage for 1 minute		

MECHANICAL	
Mold Stress Relief	70°C for 7 hours
Knockout Test	Remains in place with 20 lb push
Crush	100 lb
Impact	1.2 lb steel ball dropped from 5 ft
Cold Impact	Same as above, after conditioning to -35°C
Strength of Insulating Base and Support	110% of specified tightening torque on terminal screws
Pullout	18 lb pull on internal wires

ENVIRONMENTAL	
Flammability	V-2 or better per UL 94 or CSA 22.2 No 0.6; V-0 for watertight enclosure
Rain (3R) per UL 50	Water spray @ 5 psi from all sides for 1 hr
Hosedown (4X) per UL 50	Water spray @ 65 gal/min for 5 minutes
Dust (12K) per UL 50	Cement dust circulated @ 1000 ft/minute for 5 minutes
Gasket Aging	70°C for 168 hours
UV Resistance	Exposed plastic materials are UV stabilized
Operating Temperature	-40°C to +60°C (-40°F to +140°F)

VOLTS	MAX. HP RATINGS PER UL 508 NON-FUSED SAFETY DISCONNECT SWITCHES			
	DS30-AX	EDSR-23	DS60-AX	DS100-AX
120V AC	1	2	2	5
208V AC	5	5	20	25
240V AC	2.5	5	10	15
480V AC	5	10	20	25
600V AC	NA	NA	20	20
3Ø Y120/208V AC	5	10	20	25
3Ø 240V AC	15	10	20	30
3Ø 480V AC	15	20	40	50
3Ø 600V AC	15	25	40	50

VOLTS	MAX. HP RATINGS PER UL 508 FUSED SAFETY DISCONNECT SWITCHES	
	DS30-FAX	DS60-FAX
120V AC	2	NR
208V AC	7.5	15
240V AC	3	NR
480V AC	7.5	NR
600V AC	20	NR
3Ø Y 120/208V AC	7.5	15
3Ø 240V AC	7.5	15
3Ø 480V AC	15	30
3Ø 600V AC	20	50

NR = Not Rated NA = Not Available

NEC is a registered trademark of the National Fire Protection Agency.

To learn more about Leviton devices or for answers to technical questions call our Techline at 1-800-824-3005 or visit us at: www.leviton.com

Disconnect Switch Features

2 YEAR LIMITED WARRANTY

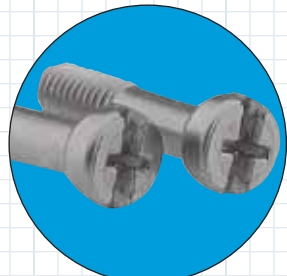
Liquid-tight conduit fitting can be installed for top or bottom feed

- One fitting supplied:
- 30 Amp - 3/4"
 - 60 Amp - 1 1/4"
 - 100 Amp - 1 1/2"

Stainless steel screws are captive and will not fall out when cover is opened

Impact, UV, and chemical-resistant Valox® enclosure rated to UL and IEC watertight standards

- NEMA/Type 3R, 4X & 12K
- IP67



Cover Screws: 1-1/8" deep slotted, LG stainless steel.
Mounting Screws: 10-24 x 1/2" deep slotted, LG stainless steel.

Pre-wired grounding plates (top and bottom of enclosure) connect to metal conduit grounding system

Brass threaded inserts will not strip, provide higher torque, and form tighter seal between back box and cover

Rugged hinge mechanism pivots 180° for easy access during installation and maintenance



Meets 2002 NEC® Requirements 430.102 (A) and 430.102 (B)

Fused Models Accept "Class J" Time-Delay Fuses

Red "pistol grip" handle provides visual confirmation of switch's status

Integrated lockout handle meets OSHA safety regulations

Circuit identification pad for means of identifying specific equipment loads

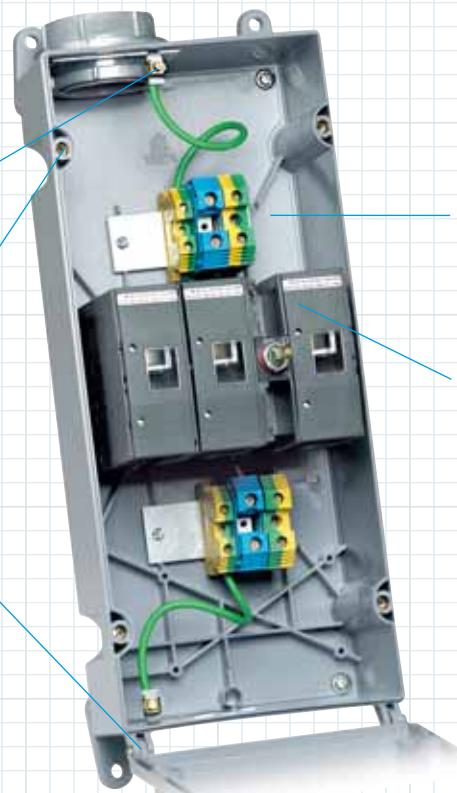


DS Series
 Engineered to UL & IEC Watertight Standards

DS60-FAX



Handle with padlock installed



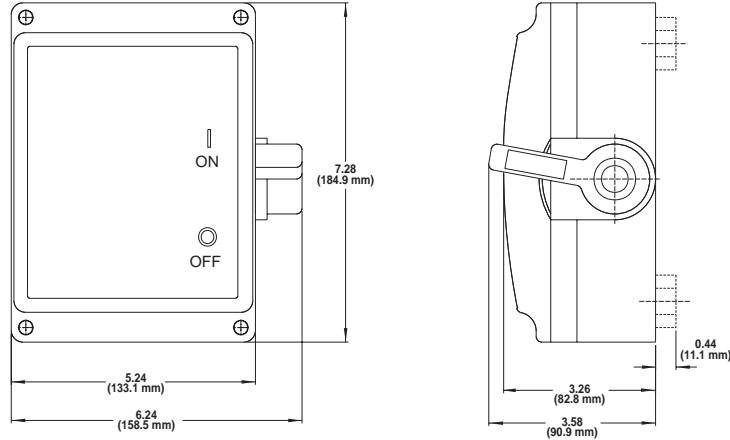
Generous wiring space for top to bottom wiring

- Disconnect switch with integrated fuse holder offers proven performance in a compact package
- Fused cartridges accept "Class J" fuses (not included)
 - 1 factory installed auxiliary contact (normally open - 10 Amp)
 - Additional auxiliary contacts available (normally closed - 10 Amp)
 - For additional contact information see page 12
 - Easily accessible neutral and ground terminal blocks
 - For physical dimensions of disconnect switches see page 9

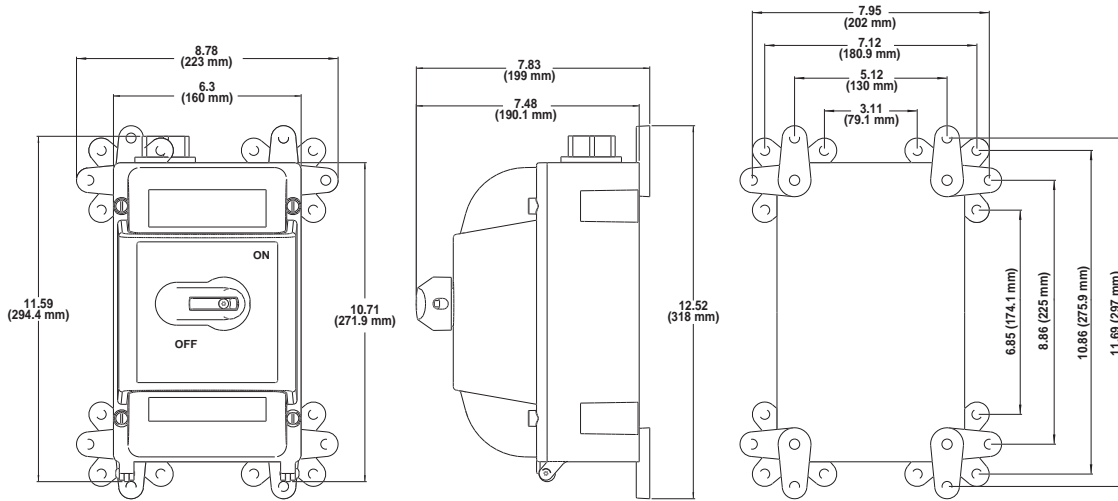
DS60-FAX

STANDARDS & CERTIFICATIONS					
Safety Disconnect Switches					
UL 98 Fused (Including 100A Non-Fused -DS)	UL 508 Non-Fused	CSA C22.2 No. 14	NOM	CE	IEC 947-3
#E63969		✓	✓	✓	✓

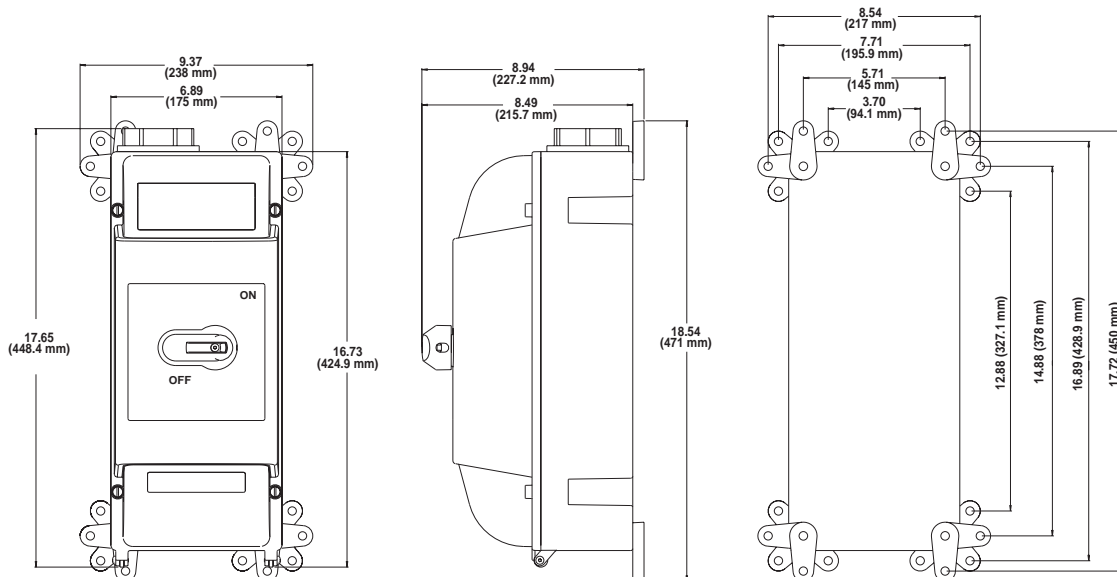
Disconnect Switch Dimensions



30 AMP NON-FUSED



30 AMP FUSED & 60 AMP NON-FUSED

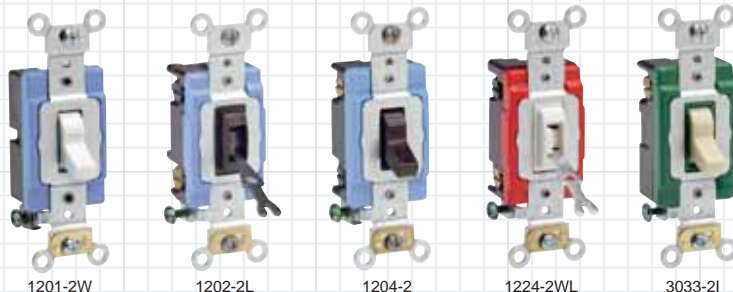


60 AMP FUSED & 100 AMP NON-FUSED

Heavy Duty AC Toggle Switches

10 YEAR LIMITED WARRANTY

15, 20 & 30A 120/277V AC Back and Side Wired

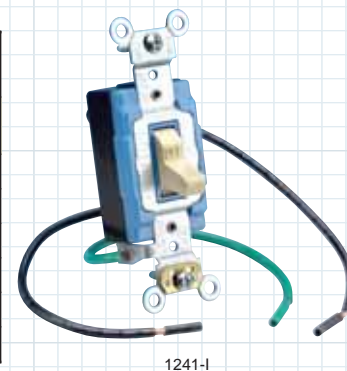


Catalog No. 55500-PRT
for Locking Switches

Industrial switches have color-coded body covers, automatic ground clip, and combo-head brass terminal screws.								
TOGGLE COLOR	SINGLE-POLE TOGGLE BACK WIRED	SINGLE-POLE LOCKING	DOUBLE-POLE TOGGLE	DOUBLE-POLE LOCKING	3-WAY TOGGLE BACK WIRED	3-WAY LOCKING	4-WAY TOGGLE	4-WAY LOCKING
15 AMP								
Brown	1201-2	1201-2L	1202-2	1202-2L	1203-2	1203-2L	1204-2	1204-2L
Ivory	1201-2I	1201-2IL	1202-2I	-	1203-2I	1203-2IL	1204-2I	-
White	1201-2W	-	1202-2W	-	1203-2W	-	1204-2W	-
Gray	1201-2GY	-	1202-2GY	-	1203-2GY	-	1204-2GY	-
Red	1201-2R	-	-	-	1203-2R	-	-	-
20 AMP								
Brown	1221-2	1221-2L	1222-2	1222-2L	1223-2	1223-2L	1224-2	1224-2L
Almond	1221-2A	-	-	-	-	-	-	-
Ivory	1221-2I	1221-2IL	1222-2I	1222-2IL	1223-2I	1223-2IL	1224-2I	1224-2IL
White	1221-2W	1221-2WL	1222-2W	-	1223-2W	1223-2WL	1224-2W	1224-2WL
Gray	1221-2GY	1221-2GL	1222-2GY	-	1223-2GY	1223-2GL	1224-2GY	1224-2GL
Red	1221-2R	1221-2RL	1222-2R	-	1223-2R	-	1224-2R	-
Ebony	1221-2E	-	1222-2E	-	1223-2E	-	1224-2E	-
30 AMP								
Brown	3031-2	3031-2L	3032-2	3032-2L	3033-2	3033-2L	-	-
Ivory	3031-2I	-	3032-2I	-	3033-2I	-	-	-
White	3031-2W	-	3032-2W	-	3033-2W	-	-	-

AC HORSEPOWER RATINGS		
15 AMP	20 AMP	30 AMP
1/2@120V	1@120V	2@120V
2@240V	2@240V	2@240V
12 AMP MAX	16 AMP MAX	24 AMP MAX

Heavy Duty Industrial Grade Switches with 6" Wire Leads		
Toggle Color	Single-Pole 6" Wire Leads	Double-Pole 6" Wire Leads
15 AMP		
Ivory	1241-I	1243-I
White	1241-W	1243-W
20 AMP		
Ivory	1242-I	1244-I
White	1242-W	1244-W



1241-I

ELECTRICAL			
DIELECTRIC ENDURANCE	OVERLOAD	TEMP.	ENDURANCE
Withstands 1500V for 1min	100 cycles of overload at 4.8 times rated current	30°C max at full rated current	UL 20/Fed. Spec. 50,000 cycles min., tungsten filament lamp load (Fed. Spec.) WS896E, SP, DP, 3-way, 4-way, Pilot Light, Illum., Key Lock

ENVIRONMENTAL	
FLAMMABILITY	OPERATING TEMP.
Rated V-2 per UL 94	-40°C to 65°C

MECHANICAL			
TERMINAL I.D.	TERMINAL ACCOMM.	PRODUCT I.D.	TORQUE RANGE
Brass-Hot, Black-Hot, White-Neutral, Green-Grounding	#14-#10 AWG back wired #14-#12 AWG side wired	Ratings are permanently stamped on device strap	12-14 inch pounds

STANDARDS AND CERTIFICATION					
NEMA WD-1 & WD-6	ANSI C-73	UL 20	UL FED. SPEC. WS896E	CSA C22.2 No. 111	NOM
✓	✓	#E7458	#E7458*	#152105	#057

*Does not apply to Momentary and Maintained Contact Switches
*Key Locking Switch performs to Fed. Spec. Standards

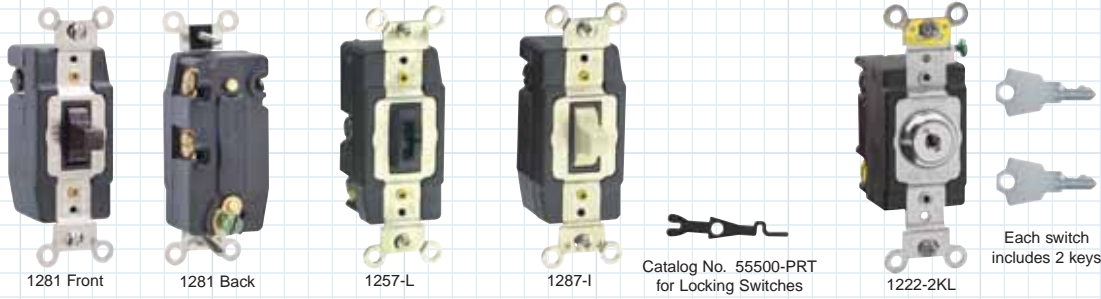
LEVSPEC INDUSTRIAL GRADE AC TOGGLE SWITCHES

Heavy Duty AC Toggle Switches

Momentary & Maintained Contact Switches - 15, 20, & 30A 120/277V AC
Key Locking Switches – 20A 120/277V AC

10 YEAR LIMITED WARRANTY

LEVSPEC



Maintained Contact Switches

TOGGLE COLOR	SINGLE-POLE DOUBLE-THROW CENTER-OFF	SINGLE-POLE DOUBLE-THROW CENTER-OFF LOCKING	DOUBLE-POLE DOUBLE-THROW CENTER-OFF	DOUBLE-POLE DOUBLE-THROW CENTER-OFF LOCKING
15 AMP				
Brown	1281	–	1282	–
Ivory	1281-I	–	1282-I	–
White	1281-W	–	1282-W	–
Black	–	1281-L	–	–
20 AMP				
Brown	1285	–	1286	–
Ivory	1285-I	–	1286-I	–
White	1285-W	–	1286-W	–
Gray	1285-GY	–	–	–
Black	–	1285-L	–	–
30 AMP				
Brown	1287	–	1288	–
Ivory	1287-I	–	1288-I	1288-LI
Black	–	1287-L	–	1288-L

Momentary Contact Switches

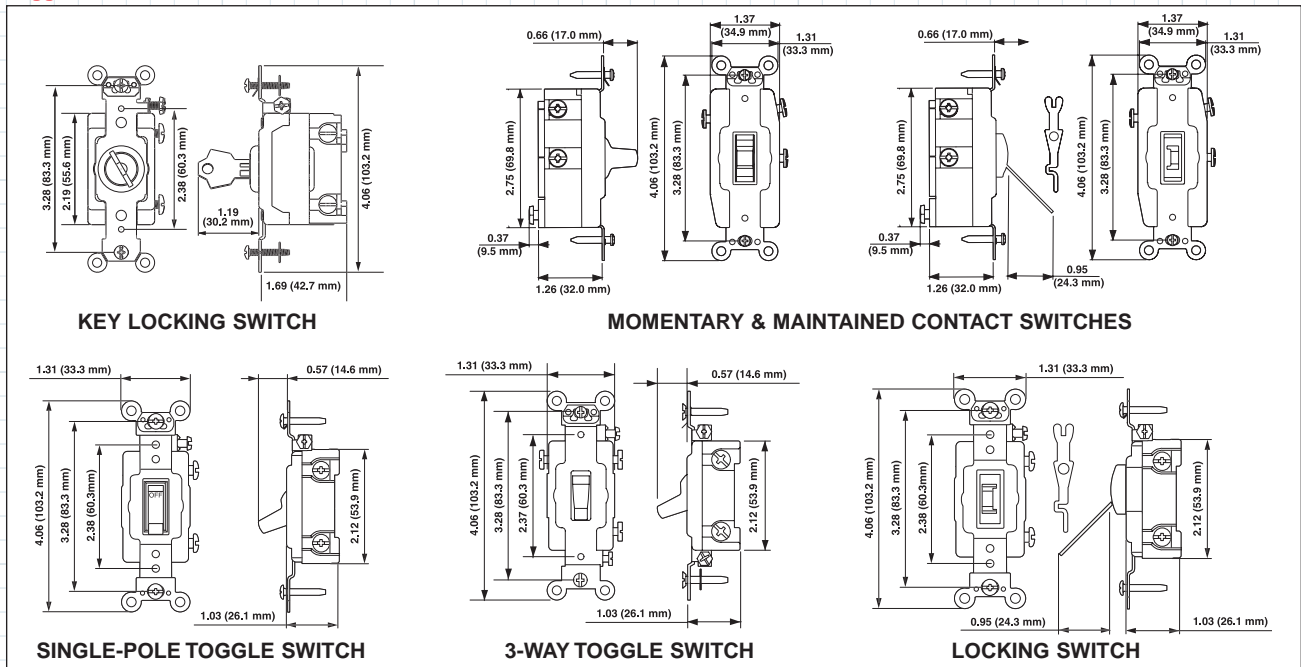
TOGGLE COLOR	SINGLE-POLE DOUBLE-THROW CENTER-OFF	SINGLE-POLE DOUBLE-THROW CENTER-OFF LOCKING
15 AMP		
Brown	1256	–
Ivory	1256-I	–
White	1256-W	–
Gray	1256-GY	–
20 AMP		
Brown	1257	1257-L*
Ivory	1257-I	1257-LI*

*Not CSA certified

Key Locking Switches

LOCK DOME	SINGLE-POLE Key Removable in the ON or OFF Position	DOUBLE-POLE Key Removable in the ON or OFF Position	3-WAY Key Removable in Either Position	4-WAY Key Removable in Either Position	REPLACEMENT KEYS 2 Per Package
20 AMP					
Nickel-Plated	1221-2KL	1222-2KL	1223-2KL	1224-2KL	2KL

Toggle Switch Dimensions



Auxiliary Contacts for Safety Disconnect Switches

- Leviton Disconnect Switches automatically ship with one factory installed auxiliary contact, normally open.
- A second auxiliary contact may be added. Select from the table below.



DEVICE	CATALOG NO.	DESCRIPTION
For ALL non-fused and fused disconnect switches	AUXNO	Normally open contact, 10 Amp, early break type
	AUXNC-NF	Normally closed contact, 10 Amp, early break type
For ALL fused disconnect switches	AUXNC-F	Normally closed contact, 10 Amp, early break type

Wallplates for Standard Toggle and Locking Switches

SINGLE-GANG

TWO-GANG

	Color	Cat. No.	Material		Color	Cat. No.	Material
	Ivory	80701-I	Nylon		Ivory	80709-I	Nylon
	Black	80701-E	Nylon		Black	80709-E	Nylon
	Gray	80701-G	Nylon		Gray	80709-G	Nylon
	White	80701-W	Nylon		White	80709-W	Nylon
	Brown	80701	Nylon		Brown	80709	Nylon
	Almond	80701-A	Nylon		Almond	80709-A	Nylon
	Brushed Stainless	84001-40	302 Stainless Steel		Brushed Stainless	84009-40	302 Stainless Steel

Key Locking Switch Accessories

302 STAINLESS STEEL WALLPLATE COMES WITH TAMPER-RESISTANT SCREWS & SPANNER TOOL	
	84071-40
	84072-40
	84073-40



ADAPTER EXTENDS SHALLOW WALLBOX, USE WITH STAINLESS STEEL WALLPLATE, CATALOG NO. 84071-40	
WALLBOX ADAPTER	
COLOR	CATALOG NO.
Brown	6197
Ivory	6197-I
White	6197-W

Choose From a Full Line of Commercial and Industrial Devices

LOCKING DEVICES & WIRE MANAGEMENT

1. Locking Plugs & Connectors – Black & White™

- 15, 20 & 30 Amp
- 125V thru 600V
- 2-P 3-W thru 4-P 5-W
- 40 NEMA Configurations
- 19 Non-NEMA Configurations
- UL/Fed.Spec./CSA/NOM
- Solid Brass Blades (Locking Plugs)
- One-Piece Brass Contacts (Locking Connectors)
- Nylon Construction



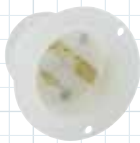
2. V-0-MAX™ Locking Receptacles

- 15, 20 & 30 Amp
- 125V thru 600V
- 2-P 3-W thru 4-P 5-W
- 40 NEMA Configurations
- 19 Non-NEMA Configurations
- UL/Fed.Spec./CSA/NOM
- UL V-0 Flammability Rating
- Color-Coding Indicates Voltage Ratings



3. Flanged Inlets/Outlets

- 15, 20 & 30 Amp
- 125V thru 600V
- 2-P 3-W thru 4-P 5-W
- 40 NEMA Configurations
- 14 Non-NEMA Configurations
- UL/Fed.Spec./CSA/NOM
- Positive Crimp Lock Wire Clamps
- Nylon Construction



4. miniLOCK™ Midget Devices

- 15 Amp
- 125V thru 250V
- 2-P 3-W thru 3-P 3-W
- 3 NEMA Configurations
- UL/Fed.Spec./CSA/NOM
- Nylon Construction
- Plugs, Connectors, Receptacles & Inlets



5. Wire Mesh Grips

- Pulling, Support, & Strain Relief
- Single & Double Eyes
- Flexible, Offset & Rotating Eyes
- Closed, Split Lace, or Split Rod Mesh
- Liquid Tight, Wide Range, Deluxe Grips



WATERTIGHT DEVICES

1. Wetguard® Watertight Devices

- 15, 20 and 30 Amp
- 125V thru 600V
- 2-P 3-W thru 4-P 5-W
- 22 NEMA Configurations
- 4 Non-NEMA Configurations
- UL/Fed. Spec./CSA/NOM
- EPTR Construction
- All Configs Available in High-Visibility Yellow
- Selected Configurations Available in Black



2. Wetguard Watertight Accessories

- Watertight Flip Lids with Lockout/Tagout
 - High Visibility Yellow & Black
 - SS Hinge & Screws
- Flexible, Watertight Plug Caps
- Reinforced Thermoplastic FD Boxes: 1/2", 3/4", & 1" Knockouts



3. IEC 309 Pin & Sleeve

- 20 to 100 Amp, IP67 Watertight
 - Plugs & Connectors
 - Receptacles & Inlets
- 20 to 100 Amp Switches
 - Mechanical Interlock
 - Non-Fused & Fused
- Valox® PBT Back Boxes
- Replacement Components
- UL/CSA



SINGLE POLE / SINGLE PIN DEVICES

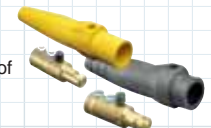
1. 15 Series – Taper Nose

- Up to 125 Amp, 600V
- Insulator – Shatterproof and Crack Proof
- Slit and Cam Male Contact Design – Compensates for Wear
- Color-Coded Insulators for Easy Phase Identification
- UL Listed (Set Screw Version Only)



2. 16 & 18 Series – Taper Nose and Ball Nose

- Up to 400 Amp, 600 V
- Insulator – Shatterproof and Crack Proof
- Slit and Cam Male Contact Design – Compensates for Wear
- Color-Coded Insulators for Easy Phase Identification
- UL Listed and CSA Certified (Double Set Screw Version Only)



INDUSTRIAL GRADE SWITCHES

1. Heavy Duty AC Control with Toggle Actuator

- 15, 20 & 30 Amp
- 120/277V AC
- SP, DP 3-Way, 4-Way
- UL/Fed. Spec./CSA
- Single-Piece Integrated Grounding System
- Back or Side Wired Grounding Terminal



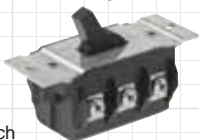
2. Key Lock AC Control with Key Lock Actuator

- 20 Amp
- 120/277V AC
- SP, DP 3-Way, 4-Way
- Key Removable in ON or OFF Positions
- UL/CSA/NOM
- Performs to Fed. Spec. Standards



3. Motor Starter Switches - AC Control for Single-Phase or Three-Phase Motor Loads

- 30, 40 & 60 Amp
- 120V AC thru 600V AC
- Max HP Rating: 20HP 600V AC
- Available as Open Switch or with NEMA/Type 1 or 3R Enclosure
- cUL/NOM



3. Safety Disconnect Switches AC Control For Horsepower Rated Motor Loads

- 30, 60 & 100 Amp
- Heavy Duty 600V AC
- Max HP Rating: 50HP 600V AC
- Fused and Non-Fused
- Dust-tight and Watertight
- IP67, IP65, NEMA 3R, 4X, 12K



ENERGY CONSERVATION & COMMUNICATIONS DEVICES

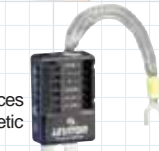
1. Occupancy Sensor AC Control with Automatic Switching

- Incandescent, Low Voltage, Motor Loads
- Fluorescent (Magnetic or Electronic Ballast)
- 120/277V AC • SP, 3-Way
- UL/CSA/NOM
- Decora® Style Wall Switch Design
- Ceiling Mount & High Bay Available
- Available with Title 24 Compliance
- Ultrasonic, PIR, or Multi-Tech



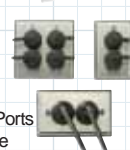
2. Communication Modules 3803 Series

- Hard Wired • CE Approved
- 2 Options for Ground Connection
- For Use on Allen Bradley & 4-20 ma
- Protects Programmable Logic Devices from Surges in Harsh Electromagnetic or Geographic Areas



3. DuraPort™ Industrial Connectivity

- IP67 Watertight Seal
- Outlets, Wallplates, & Patch Cords
- Compatible with QuickPort jacks including 5e+ & 6+
- Captive Dust Cap Protects Unused Ports
- SS Gasketed Watertight Wallplate



STRAIGHT BLADE DEVICES

1. Power Indication Receptacles

- 15-20 Amp Configurations
- 100,000 Hr. Power Status Indicator
- Nickel-Plated Brass Strap with Integral Ground Contacts
- Back & Side Wired Termination
- Hospital Grade with Permanent "Green Dot" Lens



2. Surge Protection Receptacles

- 15-20 Amp Duplex, Single and 4-in-1 Configurations
- UL Listed to 1449 and 498 Standards
- Decora® Style Nylon Face
- Surge with IG Versions
- Protection Indicator Light & Audible Damage Alarm



3. SmartLockPRO™ GFCI

- 15-20 Amp Configurations
- Back & Side Wired
- LED Status Indicator
- Meets New UL GFCI Requirements, Effective 2006
- Prevents Reset If Protective Function Is Compromised
- Prevents Reset in Case of Line Load Reverse Wiring



4. DIN Rail Mounted Receptacles

- Surge Protection
- Standard Industrial Grade
- Hospital Grade
- GFCI Receptacle
- 15A, 120V
- Straight Blade
- Duplex Receptacle



5. Python® Industrial/OEM/ Commercial Connections

- Nylon Single-Piece Body
- 15-20 Amp Straight & Angle Versions
- Removable Wide Range Cord Inset
- Enclosed Wiring Module
- Triple-Combo Screws



6. Black & White™ Power Indication Industrial Connections

- Green Light Glows When Energized
- 125V, 250V, & 277V
- 15, 20, 30 Amp Plugs & Connectors
- Super Tough Nylon Body
- Triple-Combo Screws
- Catalog & NEMA Numbers Printed on Cord Clamp



Visit us on the web at:
www.leviton.com/industrial
 email: industrial@leviton.com

Leviton Manufacturing Co., Inc.

59-25 Little Neck Parkway, Little Neck, NY 11362-2591
 Telephone: 1-800-323-8920 FAX: 1-800-832-9538
 Tech Line (8:30AM-7:30PM E.S.T. Monday-Friday): 1-800-824-3005

Leviton Manufacturing of Canada, Ltd.

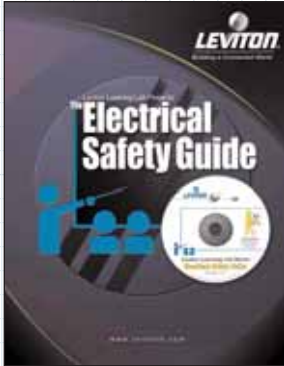
165 Hymus Boulevard, Pointe Claire, Quebec H9R 1E9
 Telephone: 1-800-469-7890 FAX: 1-800-563-1853

Leviton S. de R.L. de C.V.

Lago Tana 43, Mexico DF, Mexico CP 11290
 Telephone: (+52) 55-5082-1040 • www.leviton.com.mx

Valox® is a registered trademark of General Electric.

Note: Features and specifications subject to change.



Leviton Safety Seminars

Learn to recognize potential safety hazards **BEFORE** they become pitfalls!

Request an On-site Safety Learning Lab Seminar.

Learn about:

- Arc Flash and PPE
- OR –
- GFCI Cordsets, Temporary Power Boxes, and Open Neutral Protection



Save Money with a Dollars & Sensors® Energy Savings Audit

Identify your energy savings potential with occupancy sensors.

Leviton's software helps you determine which occupancy sensors should go where in your facility, calculates your potential energy savings, and produces a dollars and cents snapshot of your energy savings and installation ROI.

Schedule a Safety Seminar or Energy Conservation Audit Today!

Email: industrial@leviton.com or

Call: 1-800-345-8903

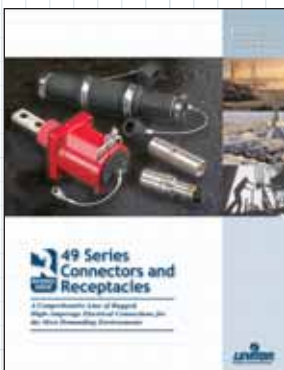
...WHAT'S NEW...WHAT'S NEW...WHAT'S NEW...WHAT'S NEW...WHAT'S NEW...



Lev-Lok™ Modular Receptacle System Designed with the Busy Contractor in Mind

- Consists of wiring module (locking connector and leads) and rugged duplex receptacle with solid brass locking connection pins
- Lock and latch wiring module simplifies large wiring device jobs while delivering the most secure connection
- Streamlines installation process and reduces installation costs

Simple... Easy... Secure...

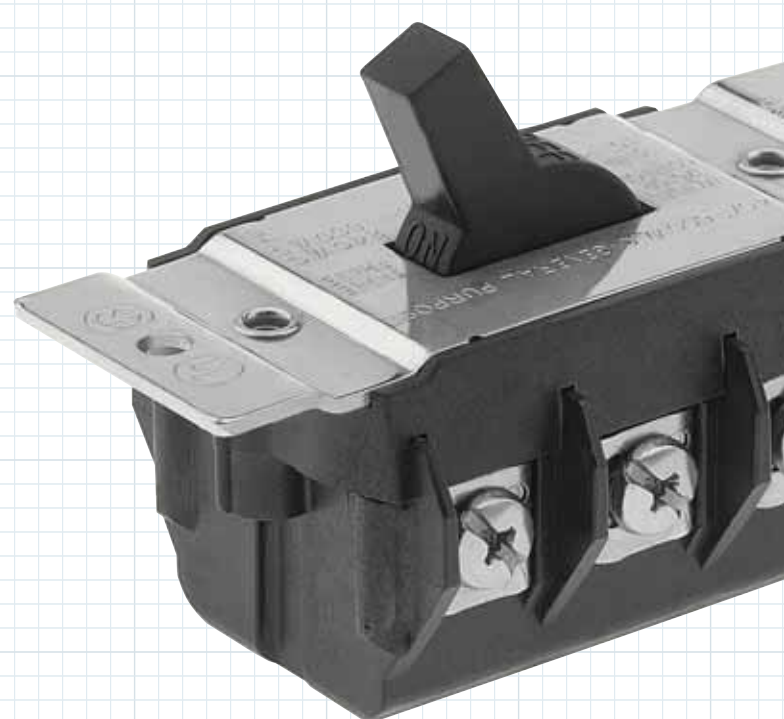
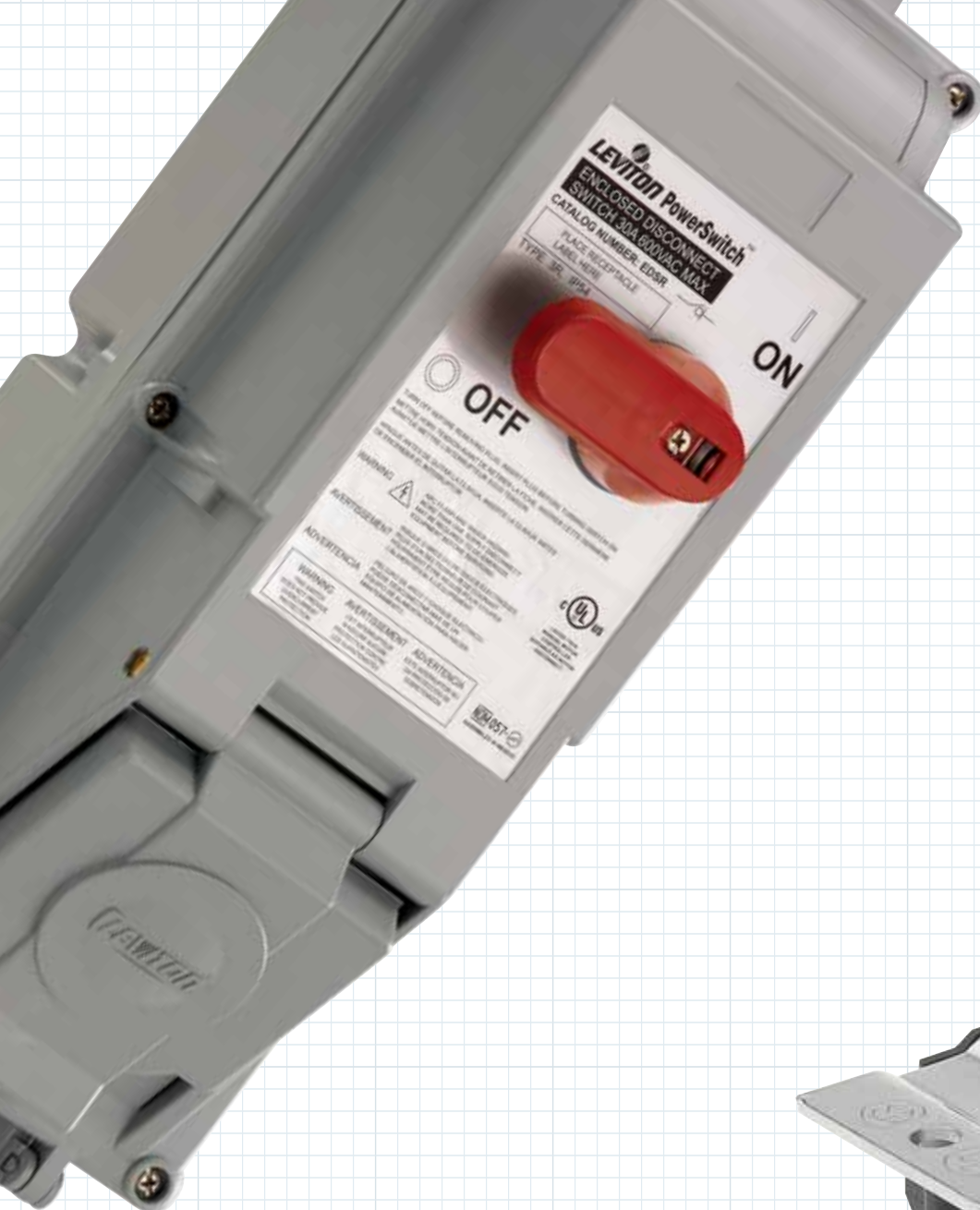


Rhino-Hide™ 49 Series Single-Pole Connection Products Designed for Rugged High Amperage Environments

- Male and female connectors and panel mounted receptacles
- Deliver up to 1,000 Volts AC or DC power and 1,135 Amps of continuous power
- Designed for land-based and offshore oil and gas rigs
- Mate with other manufacturers' devices for fast change-out
- cURus Recognized Components

Lev-Lok and Rhino-Hide are trademarks of Leviton Manufacturing Co. Dollars & Sensors is a registered trademark of Leviton Manufacturing Co.

To learn more about Leviton devices or for answers to technical questions call our Techline at 1-800-824-3005 or visit us at: www.leviton.com



Leviton Manufacturing Co., Inc.

59-25 Little Neck Parkway, Little Neck, NY 11362-2591

Telephone: 1-800-323-8920

FAX: 1-800-832-9538

Tech Line (8:30AM-7:30PM E.S.T. Monday-Friday): 1-800-824-3005

Leviton Manufacturing of Canada, Ltd.

165 Hymus Boulevard, Pointe Claire, Quebec H9R 1E9

Telephone: 1-800-469-7890

FAX: 1-800-563-1853

Leviton S. de R.L. de C.V.

Lago Tana 43, Mexico DF, Mexico CP 11290

Telephone: (+52) 55-5082-1040 • www.leviton.com.mx

Visit us on the web at: www.leviton.com/industrial

email: industrial@leviton.com

Note: Features and specifications subject to change.

