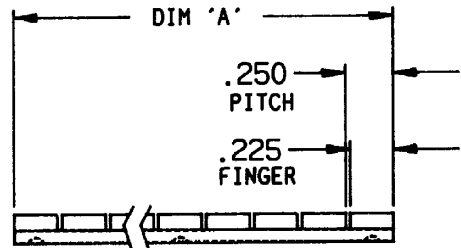
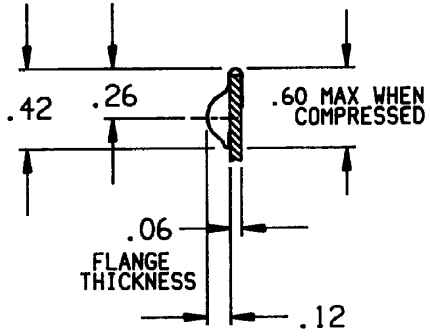


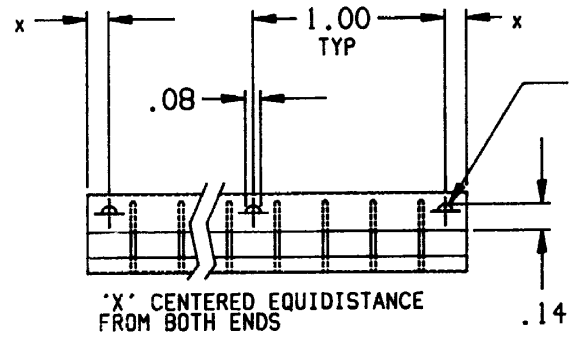
*-095-1002
ON

LTR	ECO NO	REVISION	ENG	DATE
A	15237	RELEASED	M.M.	4/2/92
A1	940718	ADDED - 1 PART	mm	7/8/94

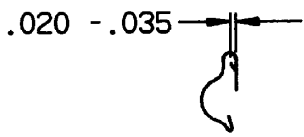


NOTES:

1. MATERIAL: .0035 THK BERYLLIUM COPPER, 1/2HT.
2. FINISH: CLEAN AND BRIGHT



ELASTIC PERFORMANCE	
COMPRESSION	LBS/LINEAR FT
FOR A .10 GAP	30
FOR A .08 GAP	56
FOR A .05 GAP	76



KEITHLEY P/N	DIM 'A'	NUMBER OF FINGERS	NUMBER OF 'D' LANCES	VENDOR PART NUMBER
2001-366-1	.23	1	1	250M42C070-.23-L-02
2001-366-5	1.23	5	2	250M42C070-1.23-L-02
2001-366-14	3.48	14	4	250M42C070-3.48-L-02

ORIGINAL VENDOR: TECH-ETCH

MODEL	NEXT ASSEMBLY	QTY.

USED ON

DO NOT SCALE THIS DRAWING

DIMENSIONAL TOLERANCES UNLESS OTHERWISE SPECIFIED

DATE 4/2/92

SCALE 1:1

TITLE

XX = ± .015 ANG. = ± 1°

DRN D.J.K.

ENG. APPR. M.M.

RFI CLIP, CHASSIS

KEITHLEY Keithley Instruments Inc.
Cleveland, Ohio 44139

XXX = ± .005 FRAC. = ± 1/64

MATERIAL SEE NOTE #1

NO. Z001-366*

SURFACE MAX. ✓ 63

FINISH SEE NOTE #2

A

BRUNING 40-21 62198