

1) CONSTRUCTION: NOM. DIA.
 CONDUCTOR: 20 AWG 7/28 STRANDED TINNED COPPER .038"
 INSULATION: HIGH DENSITY POLYETHYLENE, .016" NOM. WALL THICKNESS .070"
 CABLE: (3) COLOR CODED SINGLES TWISTED TOGETHER WITH AN ALUMINUM
 POLYESTER FOIL SHIELD (FOIL IN, 100% COVERAGE) AND A 20 AWG
 STRANDED TINNED COPPER DRAIN WIRE CONTACTING THE METALIZED
 SURFACE FOR EASY TERMINATION. .153"
 JACKET: POLYVINYLCHLORIDE, CHROME GRAY, .028" NOM. WALL THICKNESS
 OVERALL CABLE DIAMETER .209"

2) PHYSICAL PROPERTIES:
 TEMPERATURE RATING, MAX. 60°C & 75°C
 TEMPERATURE RATING, MIN. -20°C
 WT./M', NOM., NET. 28.5 LBS.

3) ELECTRICAL CHARACTERISTICS:
 CAPACITANCE, MUTUAL, NOM. 27 PF/FT
 CAPACITANCE, GROUNDED, NOM. 51 PF/FT
 DIELECTRIC WITHSTANDING, MIN. 2000V RMS
 VOLTAGE RATING, MAX. 300V
 D.C. RESISTANCE, MAX. 10.4 Ω/1000'

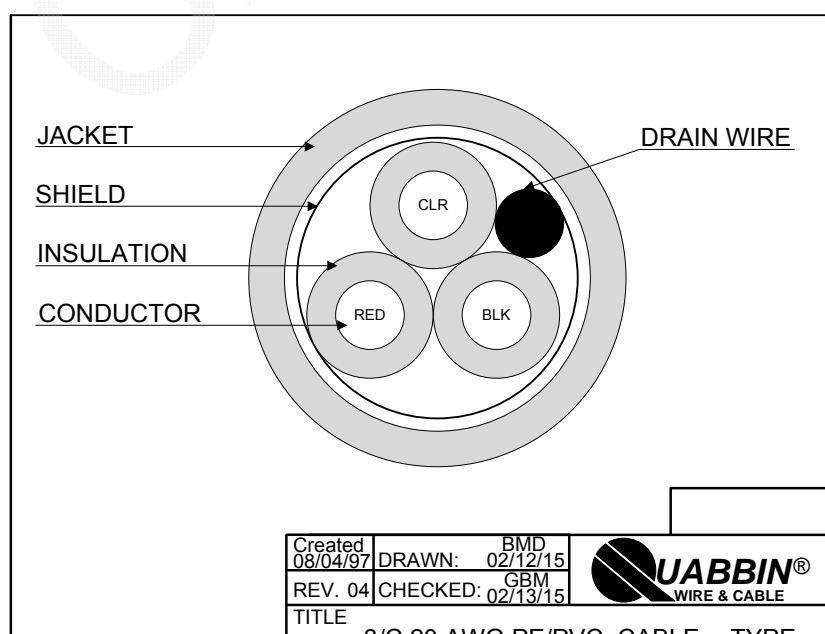
4) AGENCY APPROVALS:
 (UL) NEC TYPE CM
 CSA TYPE CMG
 UL STYLE 2093

5) APPLICATION:
 INSTRUMENTATION, SOUND, AND BROADCAST CABLE. RoHS COMPLIANT MATERIALS.

6) PRINT:
 QUABBIN 6145 (UL) TYPE CM 20 AWG 75C SHIELDED OR AWM 2093 -- CSA LL51726 TYPE CMG 60C --
 RoHS -- **(LOT DESIGNATOR)**

7) COLOR CODE:
 1. CLEAR
 2. BLACK
 3. RED

8) PACKAGING:
 TO BE PACKAGED AS PER QWC'S
 STANDARD PACKAGING



Created 08/04/97	DRAWN: BMD 02/12/15	
REV. 04	CHECKED: GBM 02/13/15	
TITLE 3/C 20 AWG PE/PVC CABLE -- TYPE CM, STYLE 2093, CSA TYPE CMG		
QUABBIN P/N	6145	1 of 1

CUSTOMER APPROVAL: _____ DATE: _____