

1) CONSTRUCTION:

CONDUCTOR:	20 AWG 7/28 STRANDED TINNED COPPER	NOM. DIA.	.038"
INSULATION:	POLYVINYLCHLORIDE, .016" NOM. WALL THICKNESS		.070"
CABLE:	(4) COLOR CODED SINGLES TWISTED TOGETHER AND WRAPPED WITH A CLEAR POLYESTER BINDER TO FORM A CABLE CORE.		.169"
SHIELD:	AN OVERALL ALUMINUM POLYESTER FOIL SHIELD (FOIL IN, 100% COVERAGE) SHALL BE APPLIED OVER THE CABLE CORE AND SHALL INCLUDE A 20 AWG 7/28 STRANDED TINNED COPPER DRAIN WIRE IN CONTACT WITH THE METALIZED SURFACE.		.172"
RIPCORD:	INCLUDED UNDER JACKET FOR STRIPPING		
JACKET:	POLYVINYLCHLORIDE, CHROME GRAY, .032" NOM. WALL THICKNESS. OVER ALL CABLE DIAMETER		.236"

2) PHYSICAL PROPERTIES:

TEMPERATURE RATING, MAX.	105° C
WT./M', NOM., NET.	38.8 LBS.

3) ELECTRICAL CHARACTERISTICS:

CAPACITANCE, MUTUAL, NOM.	30 PF/FT.
CAPACITANCE, GROUNDED, NOM.	54 PF/FT.
DIELECTRIC WITHSTANDING, MIN.	2000V RMS
VOLTAGE RATING, MAX.	600V
D.C. RESISTANCE, MAX. PER ASTM B286	10.4 Ω/1000 FT

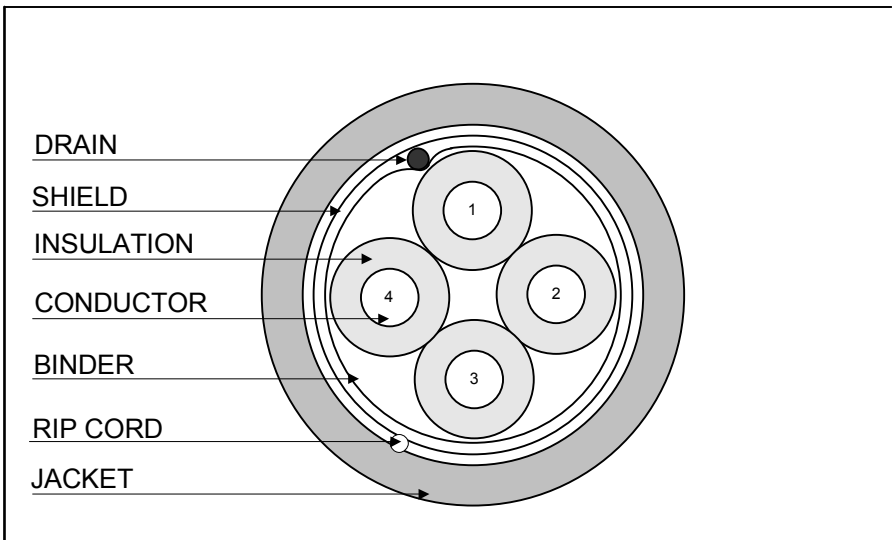
4) AGENCY APPROVALS:
 CSA AWM FT4
 UL AWM STYLE 2586 105C 600V


5) APPLICATION:
 RoHS COMPLIANT MATERIALS.

6) PRINT:
 E69976  AWM 2586 VW-1 -- CSA LL51726 AWM I/II A/B 105C 600V FT4 -- RoHS -- **(LOT DESIGNATOR)**

7) COLOR CODE:
 1. BLACK
 2. BROWN
 3. RED
 4. ORANGE

8) PACKAGING
 TO BE PACKAGED AS PER QWC'S
 STANDARD PACKAGING



REVISION 01	DATE:	DRAWN <i>B. Duceyuski</i> 1/25/07	
REVISED BY		CHECKED <i>J. Ruemler</i> 1/26/07	
CHECKED		CHECKED	
CHECKED		CUSTOMER APPROVAL: DATE:	TITLE 4/C 20 AWG -- AWM 2586, CSA AWM FT4 CABLE -- SHIELDED
			QUABBIN P/N 0813 1 OF 1