



# CABLE TECHNOLOGY, INC.

73 RIVER ROAD - WILLINGTON, CT 06279 - (860) 429 - 7889 FAX (860) 429 - 3615

1328259-1

CABLE TECH PN: CT-E608D

---

COMPONENT I: TWO (2) CONDUCTORS #20 PER MIL-W-81044/12-20  
TWISTED TOGETHER TO FORM A PAIR  
WHITE PAIRED WITH WHITE-BLUE  
TINNED COPPER BRAID SHIELD, 85% COVERAGE  
.010" CLEAR NYLON JACKET

COMPONENT II: TWO (2) CONDUCTORS #20 PER MIL-W-81044/12-20  
TWISTED TOGETHER TO FORM A PAIR  
WHITE PAIRED WITH WHITE-BLUE  
TINNED COPPER BRAID SHIELD, 85% COVERAGE  
.010" CLEAR NYLON JACKET  
(SAME AS COMPONENT I)

TWO SINGLE  
CONDUCTORS: #20 PER MIL-W-81044/12-20  
BOTH ARE WHITE

CABLING: CABLE THE TWO (2) COMPONENTS TOGETHER WITH THE TWO (2)  
SINGLE CONDUCTORS

TAPE SHIELD: WRAP WITH A SILVER COLORED ALUMINUM/MYLAR TAPE SHIELD  
(FOIL FACING OUT)

OVERALL  
SHIELD: TINNED COPPER BRAID SHIELD, 85% COVERAGE

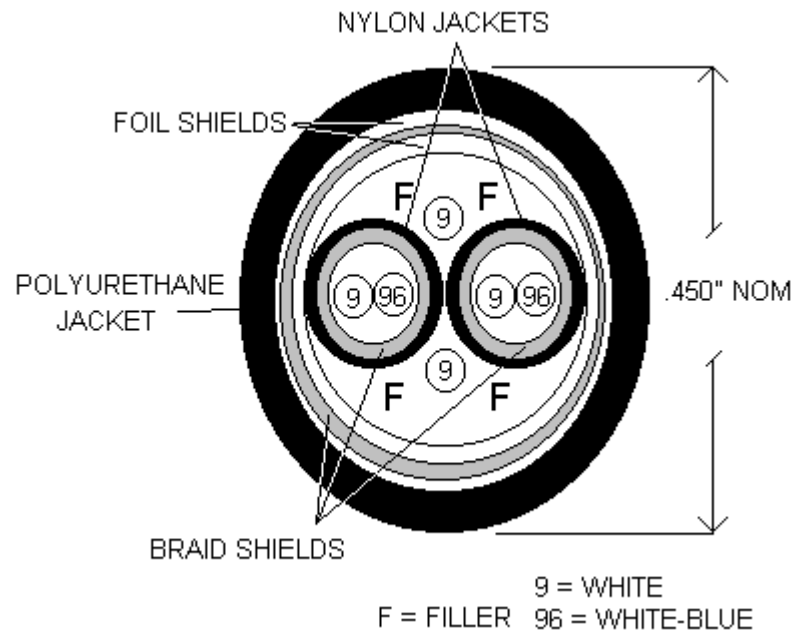
TAPE SHIELD: WRAP WITH A SILVER COLORED ALUMINUM/MYLAR TAPE SHIELD  
(FOIL FACING IN)

JACKET: BLACK GLOSSY POLYURETHANE, 58000 OR EQUIVALENT  
THICKNESS PER MIL-C-3432E

NO JACKET PRINT  
:

NOM OD: .450" +/- .020"

<CONTINUED FROM PREVIOUS PAGE>



<CABLE DRAWING NOT TO SCALE, FOR REPRESENTATIONAL PURPOSES ONLY>