

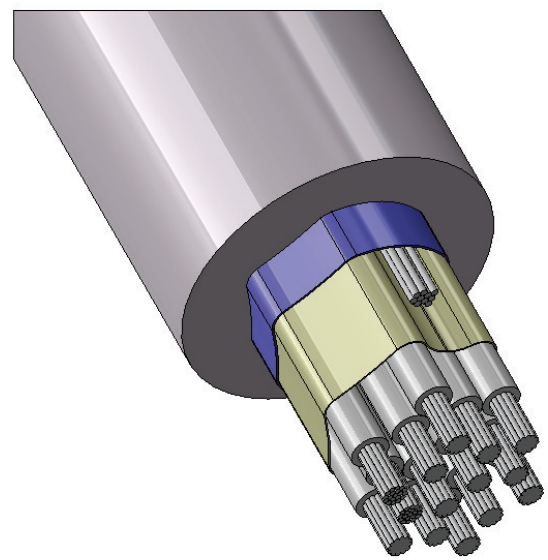
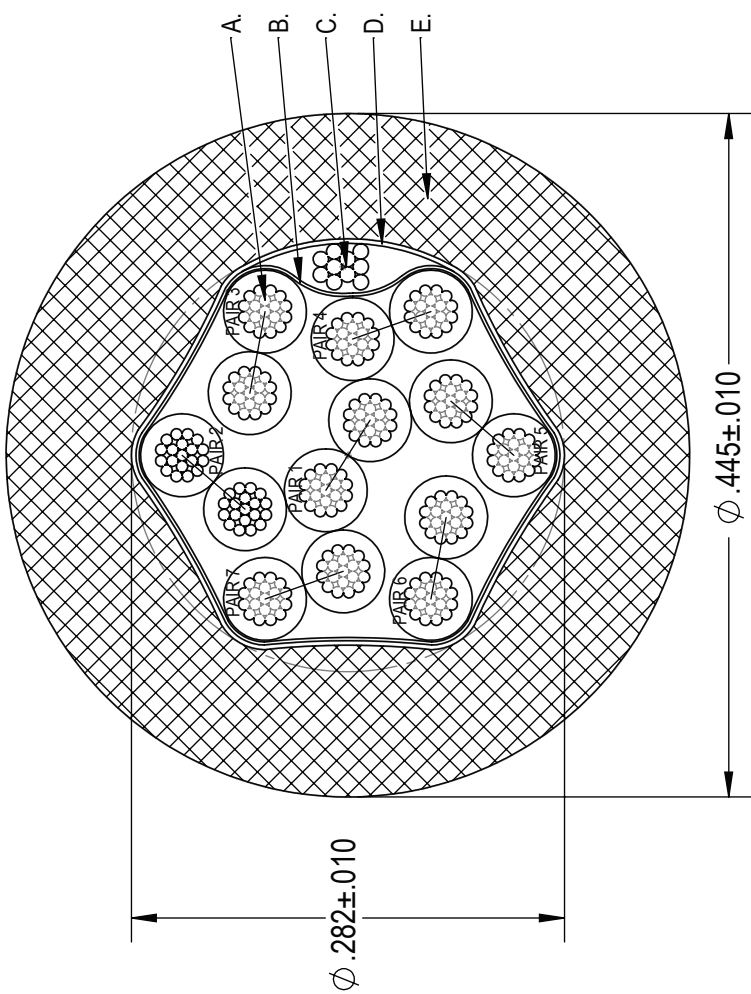
This document contains proprietary and confidential information of Northwire, Inc. (and its subsidiary) and shall not be used, disclosed or reproduced, in whole or in part, for any purpose without the prior written consent of Northwire, Inc. (and its subsidiary).
 Disclaimer: The technical data that is made part of this document may be subject to the International Traffic in Arms Regulation (ITAR) and the Export Administration Regulations (EAR). Disclosure of technical data to Foreign Persons in the course of employment with U.S. contractors is considered an export and is subject to the ITAR and EAR export licensing requirements/regulations.

DESCRIPTION: 20/14 AWM 2343 80C 300V
 CUSTOMER: IEWC
 NWI P/N: FAWM2014-004
 DRAWN BY: DP LANGER

UNITS: IN SCALE: 8:1
 DWG NO: 65656-1
 DATE: 12/1/2016
 REV: A

CUSTOMER P/N: 2014POFS-8MDA
 CORE DIMENSIONS FOR INTERNAL USE ONLY

ITEM	SUB ASSEMBLY	TWISTED PAIRS
A.	CLEAR MYLAR WRAP	20% MIN. OVERLAP 100% COVERAGE
B.	20 GAUGE 10x30TC	DRAIN
C.	ALUMINUM FOIL SHIELD; FOIL IN 25% MIN OVERLAP	100% COVERAGE
D.	80 MIL PRESSURED PVC JACKET 80C 300V	64 MIL MIN. PVC JACKET GRAY JACKET UL RECOGNIZED AND CSA CERTIFIED
E.	ROHS COMPLIANT MATERIALS TO EU DIRECTIVE 2011/65/EU	



ISOMETRIC VIEW
 FOR REFERENCE ONLY

LEGEND SPECIFICATIONS BLACK INK PRINT
 RU AWM 2343 E54661 80C CSA AWM LL54185 III A/B 80C 300V FT1 RoHS COMPLIANT

This document contains proprietary and confidential information of Northwire, Inc. (and its subsidiary) and shall not be used, disclosed or reproduced, in whole or in part, for any purpose without the prior written consent of Northwire, Inc. (and its subsidiary).

Disclaimer: The technical data that is made part of this document may be subject to the International Traffic in Arms Regulation (ITAR) and the Export Administration Regulations (EAR). Disclosure of technical data to Foreign Persons in the course of employment with U.S. contractors is considered an export and is subject to the ITAR and EAR export licensing requirements/regulations.

DESCRIPTION: UNITS: IN SCALE: 60:1 ITEM SUB-ASSEMBLY SPECIFICATIONS

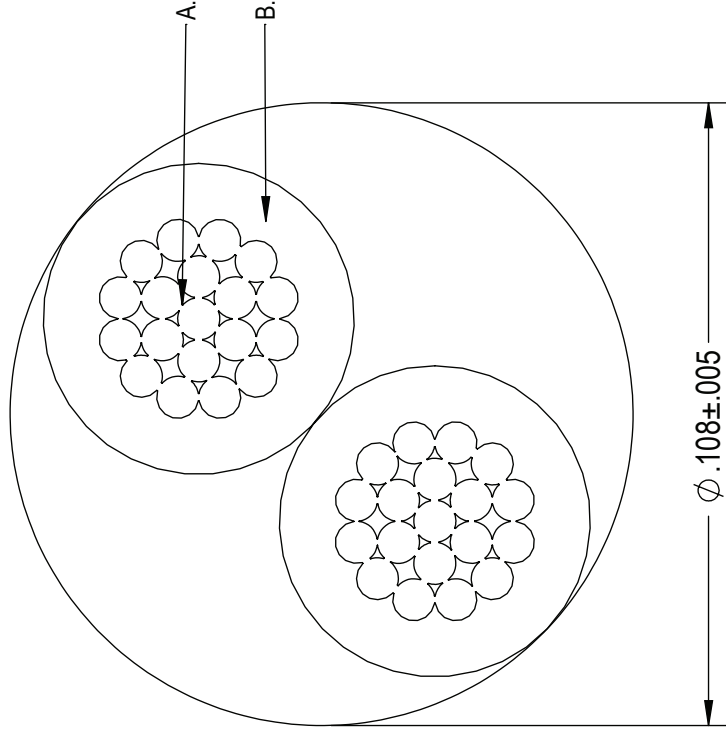
CUSTOMER: IEWC NWI P/N: FAWM2014-004 DWG NO: 65656-1 A. 20 GAUGE 19x.0073TC UNILAY

CUSTOMER P/N: 2014POFS-8MDA DRAWN BY: DP LANGER DATE: 12/1/2016 REV: A B. 9 MIL SEMI-RIGID PVC INSUL PER AWM 1061

7 MIL MIN. SEMI-RIGID PVC INSULATION O.D. .064 ±.002

CONDUCTOR COLORS

- PAIR 1: BLACK, BROWN
- PAIR 2: RED, ORANGE
- PAIR 3: YELLOW, GREEN
- PAIR 4: BLUE, VIOLET
- PAIR 5: GRAY, WHITE
- PAIR 6: WHITE/BLACK, WHITE/BROWN
- PAIR 7: WHITE/RED, WHITE/ORANGE





This document contains proprietary and confidential information of Northwire, Inc. (and its subsidiary) and shall not be used, disclosed or reproduced, in whole or in part, for any purpose without the prior written consent of Northwire, Inc. (and its subsidiary).
 Disclaimer: The technical data that is made part of this document may be subject to the International Traffic in Arms Regulation (ITAR) and the Export Administration Regulations (EAR). Disclosure of technical data to Foreign Persons in the course of employment with U.S. contractors is considered an export and is subject to the ITAR and EAR export licensing requirements/regulations.

DESCRIPTION:	UNITS: IN	SCALE: 60:1	ELECTRICAL REQUIREMENTS
CUSTOMER: IEWC	NWI P/N: FAWM2014-004	DWG NO: 65656-1	NONE SPECIFIED
CUSTOMER P/N: 2014POFS-8MDA	DRAWN BY: DP LANGER	DATE: 12/1/2016	REV: A



MECHANICAL REQUIREMENTS
 NONE SPECIFIED

REVISIONS			
INITIAL RELEASE	REV.	REV DATE	DPL
	A	12/1/16	DPL
REVISION RECORD	REV.	REV DATE	APR