

Web site: www.marinco.com

Phone: 800-307-6702

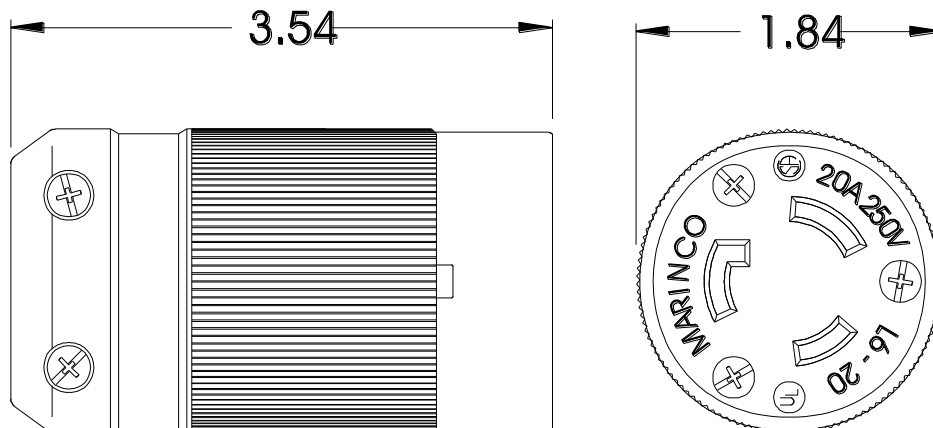
Date: July, 2011 Rev: 01

Connector, Locking
20A, 250V
2-Pole, 3-Wire

Catalog Number: 206C

- Item: Connector, locking.
- Rating: 20 amperes, 250 volts, single-phase, 2-pole, 3-wire.
- Configuration NEMA L6-20R
- Materials: Housing and plug body are nylon with CTI greater than 600 volts.
- Terminals: Clamp-type, with color-coded brass terminal screws, 10-32.
- Contacts: Contacts are single-piece, rivetless, brass, 0.032" thick.
- Cord Clamp: Internal, with removable insert to accommodate cable from .325" (16/3 SJ) to .720" (10/3 S).
- Overall Design: Three assembly screws, U-drive style.
All screws are combination slot/cross head.
Dust seal at cord entry.
Beveled housing.
- Certifications: UL listed, File E57672
CSA certified, File LR81290

Dimensions:



Dimensions shown in inches