

2182-315

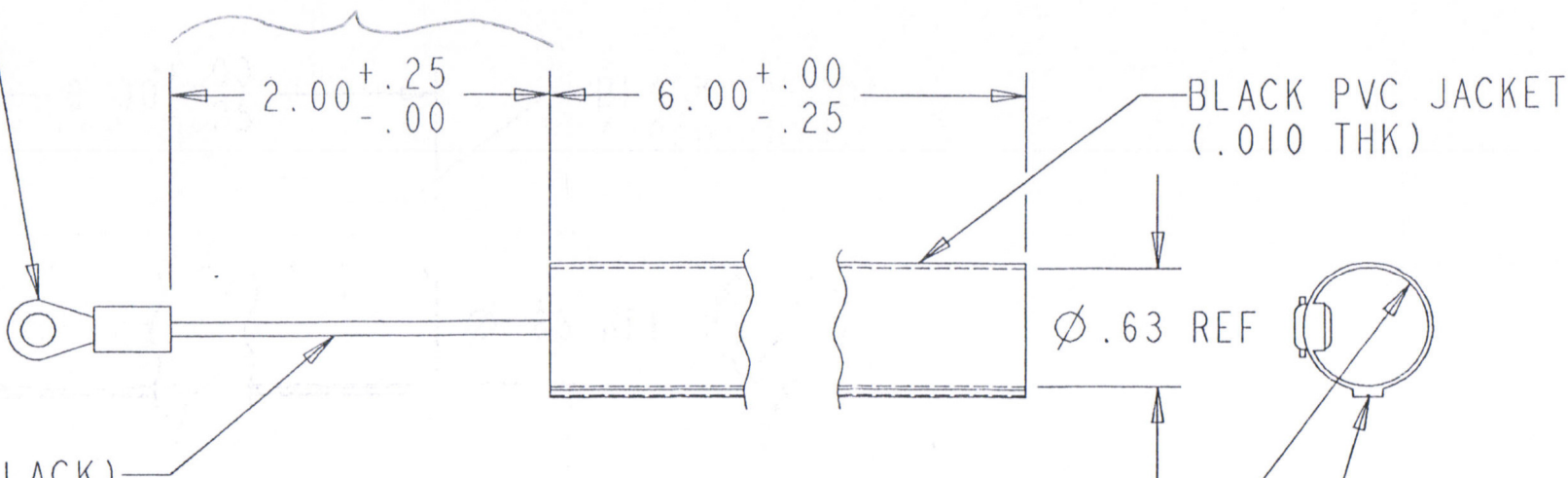
ON

COPY

cut Total Length 2 1/2"

LTR	ECA NO.	REVISION	ENG	DATE
A	19468	RELEASED	js	1/7/97

#8 RING LUG



#18 AWG (BLACK) SOLDERED TO GROUND BRAID OF FOIL SHIELD

BLACK PVC JACKET (.010 THK)

Ø .63 REF

TYPE 3003 ALUMINUM/POLYESTER LAMINATE .001 THK. (INNER SHIELD)

REUSABLE CLOSURE SYSTEM ZIP-LOCK STYLE

MAJOR P/N 06256"Z-SHIELDW/LEAD

MODEL	NEXT ASSEMBLY	QTY
USED ON		

DO NOT SCALE THIS DRAWING

DIMENSIONAL TOLERANCES UNLESS OTHERWISE SPECIFIED

DATE 10/29/96

SCALE 1:1

TITLE ZIPPER TUBING

XX = ±.015 ANG. = ±1°

DRN. KMG

ENG APPR. M. Steps

XXX = ±.005 FRAC. = ±1/64

MATERIAL SEE NOTES

SURFACE MAX. ✓

FINISH SEE NOTES

KEITHLEY

Keithley Instruments Inc. Cleveland, Ohio 44139

A

NO.

2182-315