

4

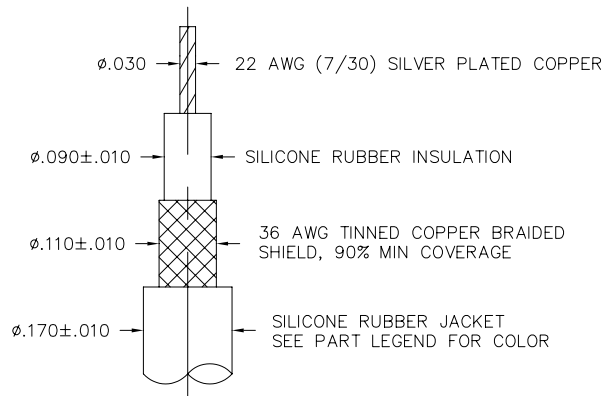
3

2

1

REVISIONS

LTR	DESCRIPTION	DATE	APPROVAL
H	ECN05-074	7/12/05	MJO / /



REQUIREMENTS AND CAPABILITIES:

- 1.0 WORKING VOLTAGE: CONTINUOUS WORKING VOLTAGE: 5 KVDC.
- 2.0 DIELECTRIC TEST: 10 KVDC FOR ONE MINUTE.
- 3.0 OPERATING CURRENT: 2.5 AMPS.
- 4.0 IMPEDANCE: 38 OHMS NOMINAL.
- 5.0 CAPACITANCE: 50 pF/FT MAX.
- 6.0 POST CURE: AFTER POST CURE, THE CABLE CORE ($\phi.090$) SHALL BE CAPABLE OF EXHIBITING A WEIGHT LOSS OF 0.75% OR LESS WHEN SUBJECTED TO A TEMPERATURE OF 200°C FOR 4 HOURS.

CATON P/N:	JACKET COLOR:
CC15090	BLACK
CC15090-2	WHITE

UNLESS OTHERWISE SPECIFIED DIMENSIONS ARE IN INCHES

TOLERANCES:
 ANGLES $\pm 0.5^\circ$
 FRACTIONS $\pm 1/64$
 3 PLACE DECIMALS $\pm .005$
 2 PLACE DECIMALS $\pm .015$

DO NOT SCALE THIS DRAWING

MATERIAL:

CONTRACT NO.

DRAFTSMAN: RWC
 DATE: 7/18/83

CHECKER:

ENGINEER: KM

APPROVAL:

 **Caton Connector Corp.**
 JONES RIVER INDUSTRIAL PARK
 KINGSTON, MASSACHUSETTS 02364

TITLE: CABLE, HIGH VOLTAGE

NEXT ASS'Y	USED ON
APPLICATION	

FINISH:

SIZE	CODE IDENT NO.	DWG. NO.	REV.
B	52196	CC15090	H

SCALE: 4:1 SHEET 1 OF 1

4

3

2

1

D

C

B

A

D

C

B

A