

# DGC DATA GUIDE CABLE

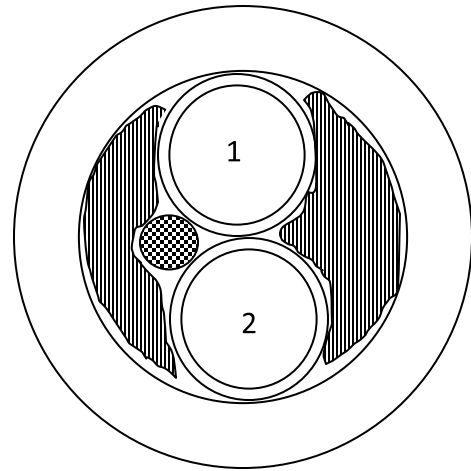
## SPECIALTY & CUSTOM CABLES

232 Sherman Street Gardner, MA 01440

Phone: 978-632-0900 Fax: 978-630-1872

Visit us on our website; [www.dataguidecable.com](http://www.dataguidecable.com)

### 2 CONDUCTOR 22 AWG INDIVIDUAL O/A SHIELDED



#### CONDUCTORS

##### (2 TOTAL):

- 22 AWG (26x36) Tinned Annealed Copper Insulated with .024" Nominal Wall of Polyethylene to a Nominal O.D. of .081"

#### COLOR CODE:

- As Indicated

#### NOTES:

- Overall 3" Nominal Left-Hand Direction Common Axis Cable Lay
- Each Conductor .0012" Thickness Aluminum/Polyester Tape Shield Foil Out
- Overall 20 AWG 26/34 Tinned Copper Drain
- Polypropylene Fillers for Roundness
- Overall .0012" Thickness Aluminum/Polyester Tape Shield, Foil in
- Overall .035" Wall Light Blue PVC Jacket to .280" Nominal Diameter
- Manufacturer Identification Thread Pulled Under Jacket

#### COLOR CODE

CONDUCTOR	COLOR
1	BLACK
2	NATURAL

#### LISTINGS/AGENCY APPROVAL

- RoHS COMPLIANT

#### REVISION HISTORY

REV	DATE	BY	DESCRIPTION
0	5/24/01	WJD	FIRST ISSUE
1	2/19/19	WJD	REFORMAT-RERELEASE

#### CUSTOMER APPROVAL (AS APPLICABLE)

Title: \_\_\_\_\_

Date: \_\_\_\_\_

Customer Number	2202CISOS-UDGE
D.G. Part Number	01C27-2
Prepared By:	LLJ
Reviewed By:	WJD