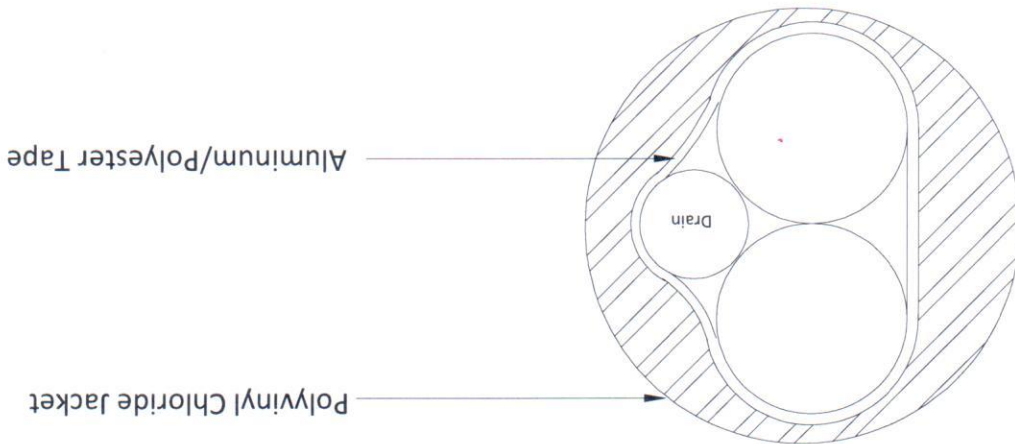


51 S. Walnut St., P.O. Box 348  
 Wauregan, CT 06387-0348  
 Phone: (860) 774-4812  
 Fax: (860) 774-7330



"OBSESSED WITH CABLE SOLUTIONS"

<http://www.cmcorporation.com/>



- 1.0 PRIMARY:** 22 AWG (7/30) Tinned Copper Polyethylene High Density, .062" ± .002" Diameter  
 Color: 1. Black 2. White
- 2.0 OVERALL CABLING:** Primaries Required: 2  
 22 AWG (7/30) Tinned Copper Drain Wire  
 Aluminum (In)/Polyester Tape, 25% Overlap
- 3.0 JACKET:** Polyvinyl Chloride, .024" Wall Thickness  
 .175" ± .005" Final Diameter  
 Color: Black

- 4.0 INDUSTRY STANDARD REQUIREMENTS:** RoHS Directive 2011/65/EU Annex II
- 5.0 SAFETY CERTIFICATIONS:** UL AWM: 2674 60°C 300V
- 6.0 ELECTRICAL CHARACTERISTICS:** Capacitance:  
 C to C: 23 pF/FT  
 C to S: 41 pF/FT + 10% -25% Tolerance

*4/10/14*  
*[Signature]*

REVISION STATUS		ENG/DATE	DESCRIPTION	REV
DRAWN: GBP		04/08/2014	Added Safety Certification and Electrical Characteristics	B
CHECK: [Blank]		04/04/14	Ron Crouch	
APPROVALS		DATE	APPROVALS	
C&M PART NUMBER		51711-CM	DO NOT DUPLICATE WITHOUT WRITTEN CONSENT FROM C&M	
REV. B			OTHERWISE SPECIFIED	
SHEET 1 OF 1			PROPRIETARY INFORMATION	
			ALL VALUES ARE NOMINAL UNLESS OTHERWISE SPECIFIED	
			2 CONDUCTOR OVERALL SHIELDED AND JACKETED CABLE	
			C&M DESCRIPTION	