

DESCRIPTION: 22/3 AWM 2464 80C 300V

UNITS: IN

SCALE: 16:1

ITEM

SPECIFICATIONS

OSCEOLA P/N: FAWM223-155

CUSTOMER: IEWC

APPR BY: NN

DWG NO: 25310-1

CUSTOMER P/N: 2203C-8MDA

DRAWN BY: DP LANGER

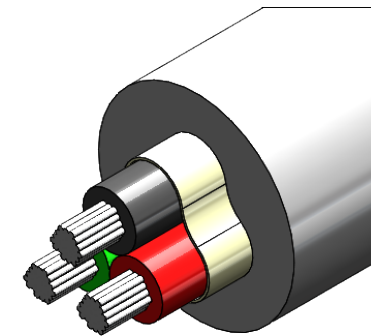
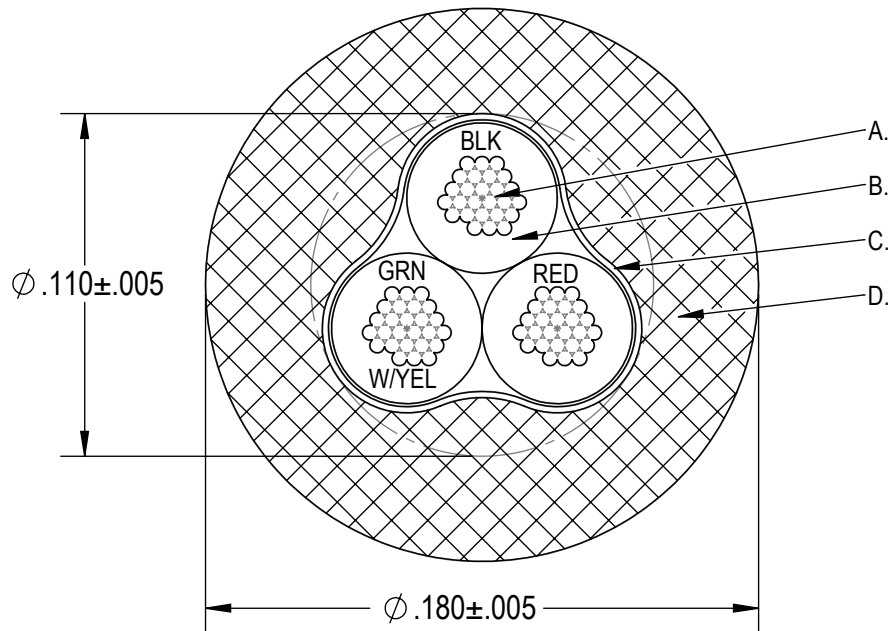
DATE: 5/26/2019

REV: A

CORE DIMENSIONS FOR INTERNAL USE ONLY

- A. 22 GAUGE 26x.005TC
- B. 9 MIL PVC INSULATION PER AWM 1729
7 MIL MIN. PVC INSULATION
O.D. .049 ±.002
- C. CLEAR MYLAR WRAP
25% MIN. OVERLAP 100% COVERAGE
- D. 30 MIL PRESSURED PVC JACKET 80C 300V
24 MIL MIN. PVC JACKET OYSTER GRAY JKT
UL RECOGNIZED AND CSA CERTIFIED

ROHS COMPLIANT MATERIALS TO EU DIRECTIVE 2011/65/EU



ISOMETRIC VIEW
FOR REFERENCE ONLY

LEGEND SPECIFICATIONS - BLACK INK PRINT

OSCEOLA: RU AWM 2464 E54661 80C 300V VW-1 CSA AWM LL54185 I/II A/B 80C 300V FT1

SANTA TERESA: N/A



This document contains proprietary and confidential information of Northwire, Inc. (and its subsidiary) and shall not be used, disclosed or reproduced, in whole or in part, for any purpose without the prior written consent of Northwire, Inc. (and its subsidiary).

Disclaimer: The technical data that is made part of this document may be subject to the International Traffic in Arms Regulation (ITAR) and the Export Administration Regulations (EAR). Disclosure of technical data to Foreign Persons in the course of employment with U.S. contractors is considered an export and is subject to the ITAR and EAR export licensing requirements/regulations.

DESCRIPTION: 22/3 AWM 2464 80C 300V	UNITS: IN	SCALE: 60:1	ELECTRICAL REQUIREMENTS
-------------------------------------	-----------	-------------	-------------------------

OSCEOLA P/N: FAWM223-155			
--------------------------	--	--	--

CUSTOMER: IEWC	APPR BY: NN	DWG NO: 25310-1	DC RESISTANCE: 0.015 Ohms/FT NOM @ 20 °C
----------------	-------------	-----------------	--

CUSTOMER P/N: 2203C-8MDA	DRAWN BY: DP LANGER	DATE: 5/26/2019	REV: A
--------------------------	---------------------	-----------------	--------



MECHANICAL REQUIREMENTS

NONE SPECIFIED

ADD NWI PART NUMBER	A	8628	10/17/19	DPL
INITIAL RELEASE	1	N/A	5/26/19	DPL
REVISION RECORD	REV.	ECR NO.	REV DATE	APR

REVISIONS