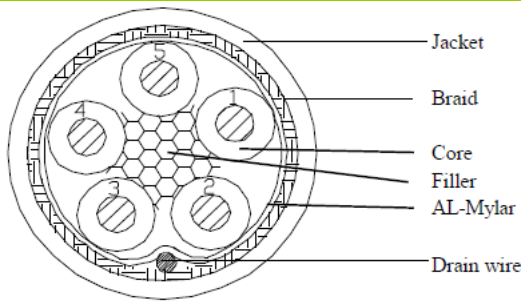


**Cross Section**



**Marking**

E148000 AWM STYLE 2464 22AWG 80°C 300V VW-1 - - -  
 AWM I/II A/B 80°C 300V FT1 -LF- PCXX

**Description**

Rated Voltage (V)	300
Rated Temperature (°C)	80
Product Standard Certification	UL
Flammability Test	VW-1 ;FT1

**Application**

For internal wiring or external interconnection of electronic equipment.

**Reference Standard**

UL758, UL1581 & CSA C22.2 No.210

**Construction**

5 Cores	Stranded Tinned Copper
AWG	22
Construction (mm)	7/0.254
Stranded Dia. (mm)	0.76
Insulation	SR-PVC
Nom. Thickness (mm)	0.25
Insulation Dia. (±0.10mm)	1.28
Filler	YES
Cores assembly	5C+Filler
<b>Direction</b>	<b>S</b>
Al-mylar (overlapping, %)	>=25%
Drain Wire	Tinned Copper
Construction (mm)	7/0.254
Braid Shield	Tinned Copper
Construction(mm)	16/7/0.12
Coverage area (%)	≥ 85
Jacket	PVC
Nom. Thickness (mm)	0.76
Min. Thickness (mm)	0.61
Cable Dia. (±0.15mm)	5.60

**Color**

Insulation :  
 Cores  
 1.Black 2.Brown 3.Red 4.Orange 5.Yellow

Jacket:  
 According to customer's require.

**Performance**

**Electrical Characteristics:**

Dielectric Strength (kV/min)	2.0
Max. DC Resistance at 20°C (Ω/km)	59.4

**Mechanical Characteristics:**

Test Object		Insulation	Jacket
Test Material		SR-PVC	PVC
Before	Tensile Strength (Mpa)	≥ 20.7	≥ 10.35
Aging	Elongation (%)	≥ 100	≥ 100
Aging Condition (°C)		113±2°C x 168 hrs	
After	Tensile Strength (Mpa)	≥ 70% of original	≥ 70% of original
Aging	Elongation (%)	≥ 70% of original	≥ 65% of original

BMM140878-1

**Part No.:**

ASM P/N : **SK-B2464-3167**

Packing: 305M/R

Ref. spec No. : Rev: 0

**Revision History**

-----



**LTK INTERNATIONAL LIMITED**

Suite 502, Concordia Plaza, 1 Science Museum Road  
 Tsimshatsui East, Kowloon, Hong Kong

Tel : (852) 2382 1133 Fax : (852) 2480 6327  
 Email : sales@ltkable.com URL : www.ltkable.com

- LTK Electric Wire (Huizhou) Ltd
- Huizhou LTK Electronic Cable Ltd
- LTK Electric Wire (Jintan) Ltd
- LTK Cable (Chongqing) Ltd
- Dalian LTK Electric Wire Ltd

Prepared by: BMM 30-Oct-14 Table No.:TFA046 Rev.: 6  
 Approved by: KAKA 30-Oct-14 Page 1 of 1

**\* Usage instruction:**

Not to be used directly in corrosive environments such as strong acids and strong alkaline. not be immersed in water or in a high humidity environment. not be exposed in the sunlight outdoor. It is suggested the wiring minimum bending radius shall be 5 times OD and more, and can not be used in strong stress conditions. The wire needs to be stored indoors, in a dry and ventilated environment. If there's some special requirements for wire , please contact with our sales . When customers purchase our products,they should test to verify whether the products is applicable to the usage.