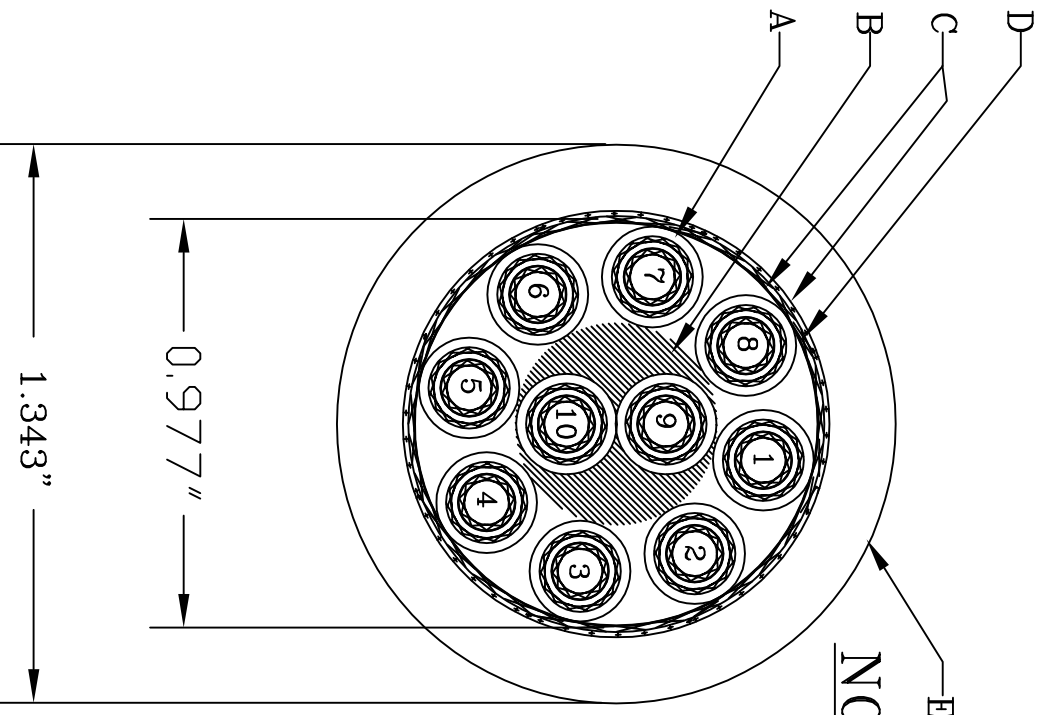


DRAKA P/N 031723

NORTHRUP GRUMMAN #347C429 REV. K



A-10 X (# 23 AWG. SOLID SP CWL'D., FOAM PP, TC SHIELD, TAPE, BLACK PU JACKET, TC SHIELD, TAPE, BLACK PU JACKET-PRINTED, OD 0.242")

B-REGULAR COTTON

C-MYLAR TAPES

D-#34 AWG. TC SHIELD

E-0.168" WALL BLACK PU JACKET

PRINTED COLOR CODE

- | | |
|----------|------------|
| 1-BLACK | 6-BLUE |
| 2-WHITE | 7-WHT/BLK |
| 3-RED | 8-RED/BLK |
| 4-GREEN | 9-GRN/BLK |
| 5-ORANGE | 10-ORA/BLK |

COPYRIGHT

This print is strictly confidential. It is printed for use exclusively with Draka Cabledaq USA products, including BW Cables and /or Tannqua Cables and/ or NK Cables. Draka Cabledaq USA reserves the rights to this print and no print can be copied and/or distributed without the expressed written permission of Draka Cabledaq USA.

DR'N	REA	DATE	04/27/07
CH'K		DATE	
AP'R	VC	DATE	03/12/14



DRAKA
22 Joseph E. Warner Blvd
North Dighton, MA 02764
Tel: 800-333-4248
Fax: 508-822-1944
www.drakausa.com

NO.	04	SCN	37055	CHANGE	06/10/14	VC
				REVISION		