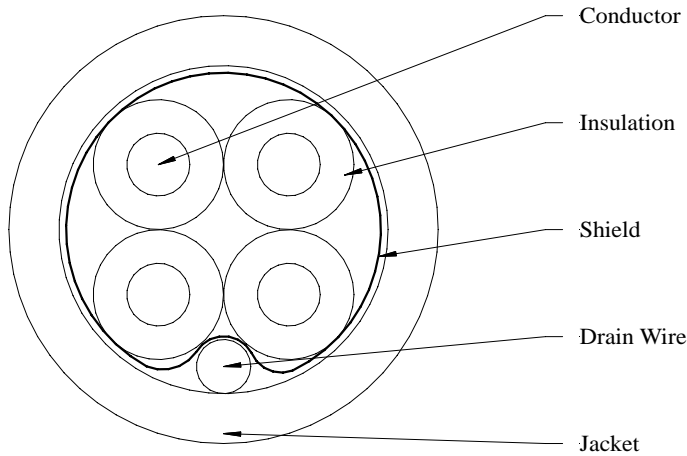


4 CONDUCTOR 24 AWG CABLE



SAFETY CERTIFICATION

UL Recognized: AWM Style 2464 80°C 300 Volts VW-1
CSA Certification: AWM II A/B 80°C 300 Volts FT1
RoHS Compliance: In Accordance to European Directive 2002/95/EC, Issue 13.2.2003

CONSTRUCTION

Single Component

Conductor: 24 AWG 7/32 Tin Plated Copper, 0.024 Inch Diameter
Insulation: 0.010 Inches of XPbT, 0.044 Inch Diameter

Final Assembly

Core: 4 Singles (#1-4) Cabled Together
Shield: Aluminum/Polyester Tape, Aluminum Side Facing Out, 25% Overlap
Drain Wire: 24 AWG 7/32 Tin Plated Copper, 0.024 Inch Diameter
Jacket: 0.040 Inches of Flexible XPbT, Color – Oyster Gray
Diameter: 0.190 ± 0.010 Inches
Print Legend (Black Ink): “ AWM STYLE 2464 80°C 300V VW-1 MADISON CABLE CSA AWM II A/B 80°C 300V FT1 RoHS COMPLIANT {Date Code¹}”

¹ Date code is a 4-digit code with the first 2 digits identifying the calendar week and the last 2 digits identifying the calendar year of manufacture. Example - 0206 for cable manufactured the second week of 2006.

COLOR CODE

Conductor #	Insulation Color
1	Black
2	White
3	Red
4	Green

ELECTRICAL CHARACTERISTICS

Conductor DC Resistance: 0.024 Ohms/ft Nominal @ 20°C

Note: This cable is based upon GE Medical 1005200-P141 with enhanced RoHS Compliance.

125 Goddard Memorial Drive • Worcester, MA 01603 USA
 Tel: (508) 752-2884 Toll-Free: (877) MADISON Fax: (508) 752-4230

REVISION HISTORY

Rev #	Date	By	Description
1	03/24/09	DC	Initial Release

Spec Number:	101-8620	Prepared By:	D.M. Card		
Part Number:	04RFBLF001	Reviewed By:	K. Arsenault	M. Dupuis	
Customer:					Page
Customer #:					1 of 1

Users should evaluate the suitability of this product for their application. Contact factory for latest revision of specification. Tyco Electronics reserves the right to make changes in materials or processing, which do not affect compliance with any specification, without notification to the Buyer.