

DRAWING #: 10007624C-NE SHEET: 1 NEW PART: N21-40T-437-R2-2UL

REV: - DCN # - DESCRIPTION: INITIAL RELEASE BY: RT DATE: 06/20/2017

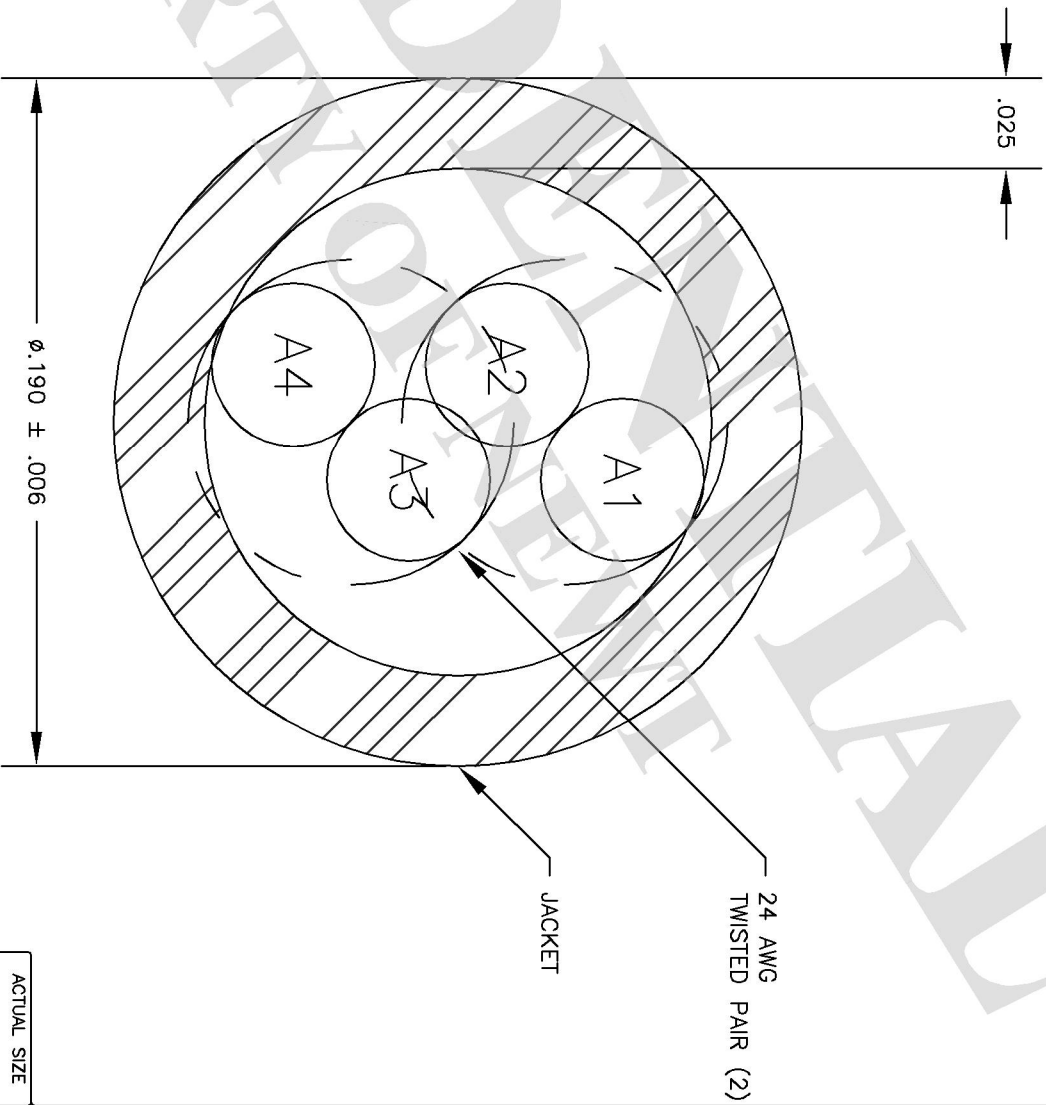
REVISIONS

24 AWG TWISTED PAIRS (2):
 2(24 AWG 42/40 TINNED COPPER
 .011" (.009" MIN) PVC TO .045" +/- .002" OD)
 TO UL AWM 1729
 CABLED

CABLE TWO 24 AWG TWISTED PAIRS PER DIAGRAM

JACKET:
 .025" BLACK PVC JACKET TO .190" +/- .006" OD
 TO UL AWM 2937 80C, 300V

COLOR CODING:
 24 AWG TWISTED PAIR:
 A1-A2 = BLACK/RED-RED
 A3-A4 = BLACK/WHITE-WHITE
 JACKET = BLACK



THE ENTIRE INFORMATION CONTAINED HEREON IS THE PROPERTY OF
 NEW ENGLAND WIRE TECHNOLOGIES CORPORATION IN LISBON, NH
 AND MAY NOT BE REPRODUCED OR USED WITHOUT PERMISSION OF
 NEW ENGLAND WIRE TECHNOLOGIES CORPORATION.
 130 NORTH MAIN STREET, LISBON, NEW HAMPSHIRE 03585

ENG: _____ ALL DIMENSIONS ARE IN INCHES UNLESS OTHERWISE SPECIFIED

PROD. DRAWN BY: R. TRAHAN

DRAWING #: 10007642C-NE GAGE NUMBER/SCALE: 74116 / NONE DO NOT SCALE PRINTS

TITLE: 4 CONDUCTOR NEW PART: N21-40T-437-R2-2UL SIZE: A SHEET SET: 1 OF 1 REV: -

