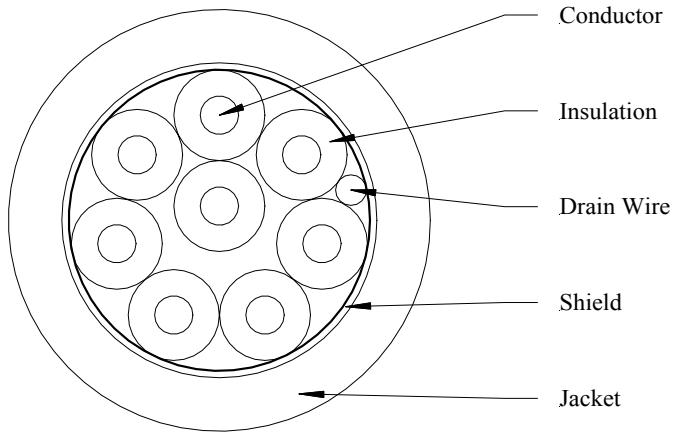


## 8 CONDUCTOR 24 AWG CABLE



### ELECTRICAL CHARACTERISTICS

**Conductor DC Resistance:** 0.024 Ohms/ft Nominal @ 20°C

### SAFETY CERTIFICATION

**UL Recognized:** AWM Style 2464 80°C 300 Volts VW-1  
**CSA Certification:** AWM II A/B 80°C 300 Volts FT1  
**RoHS Compliance:** In Accordance to European Directive 2002/95/EC, Issue 13.2.2003

### CONSTRUCTION

**Single Component**

**Conductor:** 24 AWG 7/32 Tin Plated Copper, 0.024 Inch Diameter  
**Insulation:** 0.010 Inches of XPbT, 0.044 Inch Diameter

**Final Assembly**

**Core:** 1 Single (#1)  
**Layer 1:** 7 Singles (#2-8) Cabled Around Core  
**Drain Wire:** 24 AWG 7/32 Tin Plated Copper, 0.024 Inch Diameter  
**Shield:** Aluminum/Polyester Tape, Aluminum Side Facing In, 25% Overlap  
**Jacket:** 0.035 Inches of Flexible XPbT, Color – Oyster Gray  
**Diameter:** 0.220 Inches Nominal  
**Print Legend (Black Ink):** “ AWM STYLE 2464 80°C 300V VW-1 MADISON CABLE CSA AWM II A/B 80°C 300V FT1 RoHS COMPLIANT {Date Code}”<sup>1</sup>”

<sup>1</sup> Date code is a 4-digit code with the first 2 digits identifying the calendar week and the last 2 digits identifying the calendar year of manufacture. Example - 0206 for cable manufactured the second week of 2006.

### COLOR CODE

Conductor #	Insulation Color
1	Black
2	White
3	Red
4	Green
5	Brown
6	Blue
7	Orange
8	Yellow

**Note:** This cable is based upon GE Medical 1005200-P142 with enhanced RoHS Compliance.

125 Goddard Memorial Drive • Worcester, MA 01603 USA  
 Tel: (508) 752-2884 Toll-Free: (877) MADISON Fax: (508) 752-4230

### REVISION HISTORY

Rev #	Date	By	Description
1	09/29/09	HA	Initial Release

<b>Spec Number:</b>	101-9161	<b>Prepared By:</b>	H. Abusamra		
<b>Part Number:</b>	08RFBLF001	<b>Reviewed By:</b>	K. Arsenault	B. Morissette	
<b>Customer:</b>					Page
<b>Customer #:</b>					1 of 1

Users should evaluate the suitability of this product for their application. Contact factory for latest revision of specification. Tyco Electronics reserves the right to make changes in materials or processing, which do not affect compliance with any specification, without notification to the Buyer.