

DESCRIPTION: 24/8 CABLE 80C 150V

CUSTOMER: IEWC

CUSTOMER P/N: 2408POFS-3NW

NWI P/N: FCAB248-032

DRAWN BY: DP LANGER

UNITS: IN

SCALE: 12:1

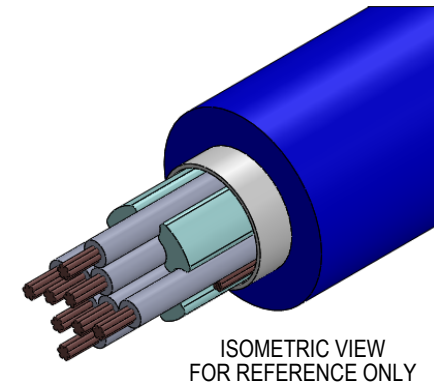
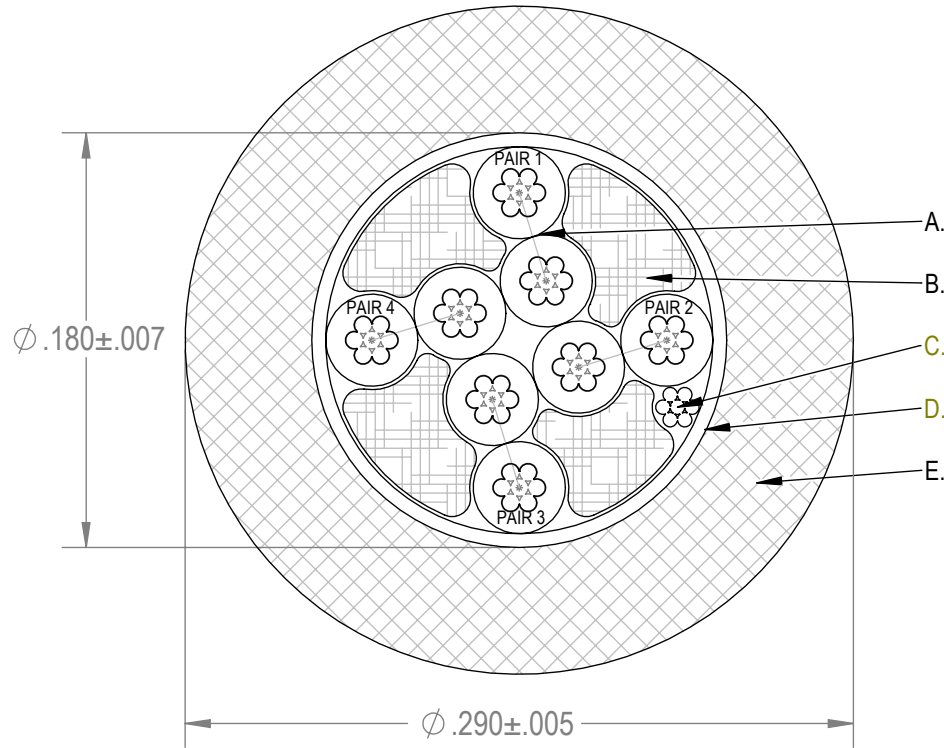
DWG NO: 50027-1

DATE: 5/1/2014

REV: A

ITEM	SPECIFICATIONS
A.	SUB ASSEMBLY TWISTED PAIR
B.	WATER BLOCKING FILLER AS NEEDED
C.	26 GAUGE 7x.0063TC DRAIN
D.	WATER BLOCKING ALUMINUM FOIL; FOIL IN 25% MIN. OVERLAP 100% COVERAGE
E.	55 MIL PRESSURED TPU JACKET 80C 150V 45 MIL MIN. BLUE POLYURETHANE JACKET RODENT REPELLENT ADDITIVE IN JACKET NO AGENCY APPROVALS
ROHS COMPLIANT MATERIALS TO EU DIRECTIVE 2011/65/EU	

CORE DIMENSIONS FOR INTERNAL USE ONLY



LEGEND SPECIFICATIONS

NO LEGEND ON CABLE



This document contains proprietary and confidential information of Northwire, Inc. (and its subsidiary) and shall not be used, disclosed or reproduced, in whole or in part, for any purpose without the prior written consent of Northwire, Inc. (and its subsidiary).

Disclaimer: The technical data that is made part of this document may be subject to the International Traffic in Arms Regulation (ITAR) and the Export Administration Regulations (EAR). Disclosure of technical data to Foreign Persons in the course of employment with U.S. contractors is considered an export and is subject to the ITAR and EAR export licensing requirements/regulations.

DESCRIPTION: 24/8 CABLE 80C 150V

UNITS: IN

SCALE: 60:1

ITEM

SUB-ASSEMBLY SPECIFICATIONS

CUSTOMER: IEWC

NWI P/N: FCAB248-032

DWG NO: 50027-1

A.

24 GAUGE 7x.0076TC CONCENTRIC

CUSTOMER P/N: 2408POFS-3NW

DRAWN BY: DP LANGER

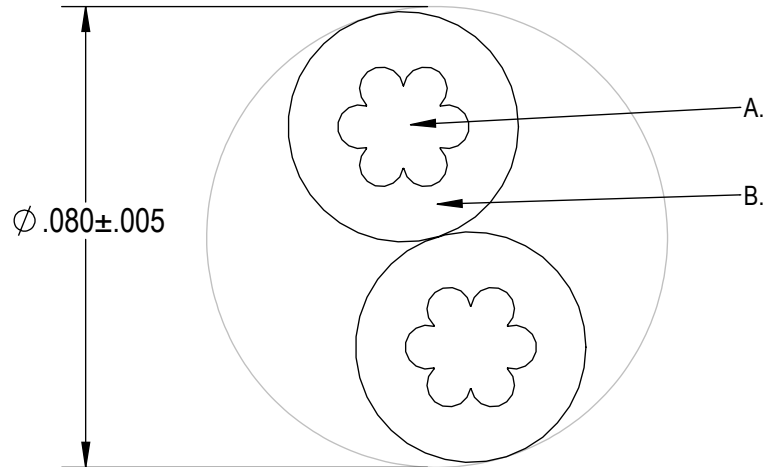
DATE: 5/1/2014

REV: A

B.

7 MIL HDPE INSULATION 80C 150V
5 MIL MIN. HDPE INSULATION
O.D. .040 ±.002"

CONDUCTOR COLORS:
PAIR 1: BLUE, WHITE/BLUE
PAIR 2: ORANGE, WHITE/ORANGE
PAIR 3: GREEN, WHITE/GREEN
PAIR 4: BROWN, WHITE/BROWN





This document contains proprietary and confidential information of Northwire, Inc. (and its subsidiary) and shall not be used, disclosed or reproduced, in whole or in part, for any purpose without the prior written consent of Northwire, Inc. (and its subsidiary).

Disclaimer: The technical data that is made part of this document may be subject to the International Traffic in Arms Regulation (ITAR) and the Export Administration Regulations (EAR). Disclosure of technical data to Foreign Persons in the course of employment with U.S. contractors is considered an export and is subject to the ITAR and EAR export licensing requirements/regulations.

DESCRIPTION: 24/8 CABLE 80C 150V		UNITS: IN	SCALE: 60:1	ELECTRICAL REQUIREMENTS
CUSTOMER: IEWC	NWI P/N: FCAB248-032	DWG NO: 50027-1		IMPEDANCE ON PAIRS: 100 ± 15 Ohms CAPACITANCE ON PAIRS: 15.5 pF NOMINAL @ 1 MHz SIMILAR TO Cat5e BUT DOES NOT MEET ALL REQUIREMENTS OF Cat5e
CUSTOMER P/N: 2408POFS-3NW	DRAWN BY: DP LANGER	DATE: 5/1/2014	REV: A	



MECHANICAL REQUIREMENTS

PAIRS ARE AT DIFFERENT LAY LENGTHS TO HELP MINIMIZE CROSSTALK BETWEEN PAIRS

INITIAL RELEASE	A	5/1/14	DPL
REVISION RECORD	REV.	REV DATE	APR
REVISIONS			