



This document contains proprietary and confidential information of Northwire, Inc. (and its subsidiary) and shall not be used, disclosed or reproduced, in whole or in part, for any purpose without the prior written consent of Northwire, Inc. (and its subsidiary).

Disclaimer: The technical data that is made part of this document may be subject to the International Traffic in Arms Regulation (ITAR) and the Export Administration Regulations (EAR). Disclosure of technical data to Foreign Persons in the course of employment with U.S. contractors is considered an export and is subject to the ITAR and EAR export licensing requirements/regulations.

DESCRIPTION: 24/8 CABLE 80C 150V

CUSTOMER: IEWC

CUSTOMER P/N: 2408POFS-TNW

CORE DIMENSIONS FOR INTERNAL USE ONLY

NWI P/N: FCAB248-036

DRAWN BY: DP LANGER

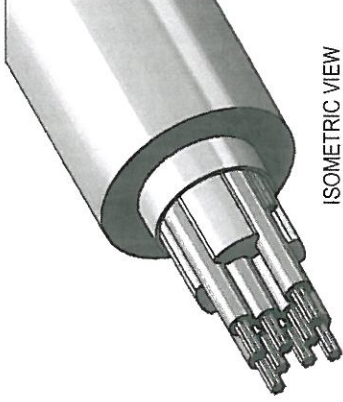
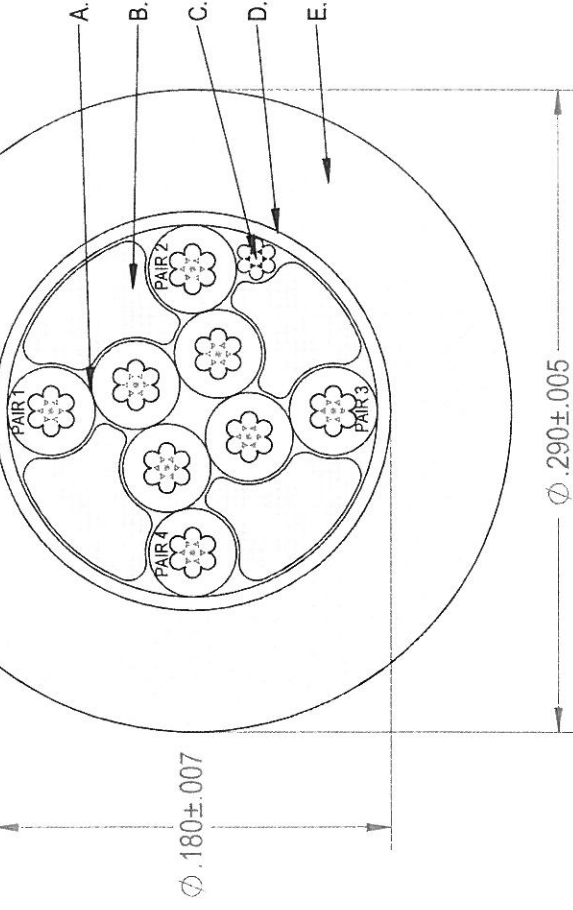
UNITS: IN SCALE: 12:1

DWG NO: 57227-1

DATE: 6/10/2015

REV: B

ITEM	SPECIFICATIONS
A.	SUB ASSEMBLY TWISTED PAIR
B.	WATER BLOCKING FILLER AS NEEDED
C.	26 GAUGE 7x.0063TC DRAIN
D.	WATER BLOCKING ALUMINUM FOIL; FOIL IN 25% MIN. OVERLAP 100% COVERAGE
E.	55 MIL PRESSURED TPU JACKET 80C 150V 45 MIL MIN. TAN POLYURETHANE JACKET RODENT REPELLENT ADDITIVE IN JACKET UV INHIBITOR ADDITIVE IN JACKET NO AGENCY APPROVALS



ISOMETRIC VIEW FOR REFERENCE ONLY

LEGEND SPECIFICATIONS NO LEGEND ON CABLE

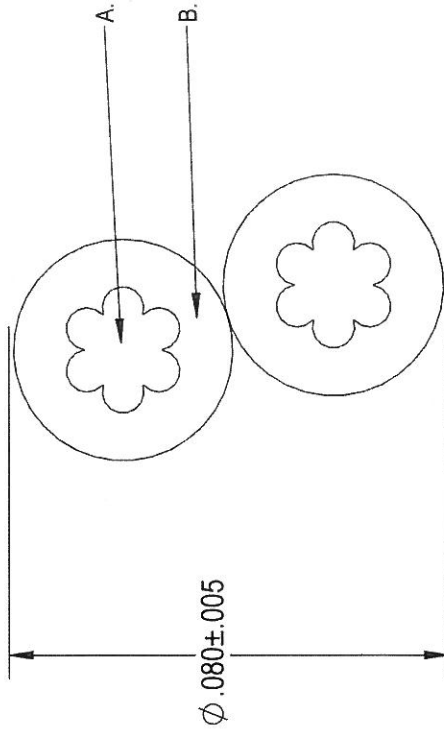


This document contains proprietary and confidential information of Northwire, Inc. (and its subsidiary) and shall not be used, disclosed or reproduced, in whole or in part, for any purpose without the prior written consent of Northwire, Inc. (and its subsidiary).

Disclaimer: The technical data that is made part of this document may be subject to the International Traffic in Arms Regulation (ITAR) and the Export Administration Regulations (EAR). Disclosure of technical data to Foreign Persons in the course of employment with U.S. contractors is considered an export and is subject to the ITAR and EAR export licensing requirements/regulations.

DESCRIPTION: 24/8 CABLE 80C 150V	UNITS: IN	SCALE: 60:1	ITEM	SUB-ASSEMBLY SPECIFICATIONS
CUSTOMER: IEWC	NWI P/N: FCAB248-036	DWG NO: 57227-1	A.	24 GAUGE 7x.0076TC CONCENTRIC
CUSTOMER P/N: 2408POFS-TNW	DRAWN BY: DP LANGER	DATE: 6/10/2015	B.	7 MIL HDPE INSULATION 80C 150V 5 MIL MIN. HDPE INSULATION O.D. .040 ± .002"

CONDUCTOR COLORS:  
 PAIR 1: BLUE, WHITE/BLUE  
 PAIR 2: ORANGE, WHITE/ORANGE  
 PAIR 3: GREEN, WHITE/GREEN  
 PAIR 4: BROWN, WHITE/BROWN





This document contains proprietary and confidential information of Northwire, Inc. (and its subsidiary) and shall not be used, disclosed or reproduced, in whole or in part, for any purpose without the prior written consent of Northwire, Inc. (and its subsidiary).

Disclaimer: The technical data that is made part of this document may be subject to the International Traffic in Arms Regulation (ITAR) and the Export Administration Regulations (EAR). Disclosure of technical data to Foreign Persons in the course of employment with U.S. contractors is considered an export and is subject to the ITAR and EAR export licensing requirements/regulations.

DESCRIPTION: 24/8 CABLE 80C 150V		UNITS: IN	SCALE: 60:1
CUSTOMER: IEWC	NWI P/N: FCAB248-036	DWG NO: 57227-1	
CUSTOMER P/N: 2408POFS-TNW	DRAWN BY: DP LANGER	DATE: 6/10/2015	REV: B

**ELECTRICAL REQUIREMENTS**

IMPEDANCE ON PAIRS: 100 ±15 Ohms  
 CAPACITANCE ON PAIRS: 15.5 pF NOMINAL @ 1 MHz  
 SIMILAR TO Cat5e BUT DOES NOT MEET ALL REQUIREMENTS OF Cat5e

**MECHANICAL REQUIREMENTS**

PAIRS ARE AT DIFFERENT LAY LENGTHS TO HELP MINIMIZE CROSSTALK BETWEEN PAIRS

ADDED UV INHIBITO COMMENT	B	6/16/15	DPL
INITIAL RELEASE	A	6/10/15	DPL
REVISION RECORD	REV.	REV DATE	APR
REVISIONS			