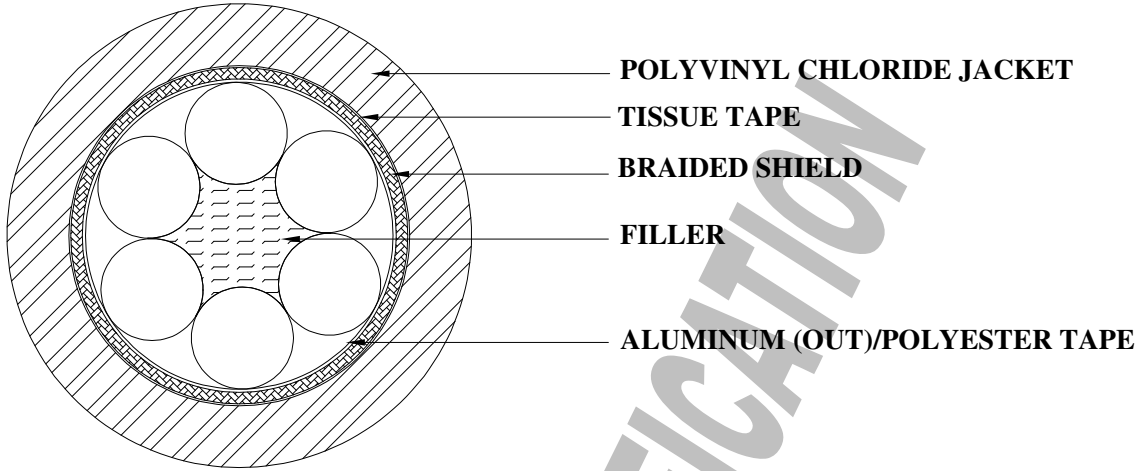


51 S. Walnut St., P.O. Box 348  
 Wauregan, CT 06387-0348  
 Phone: (860) 774-4812  
 Fax: (860) 774-7330



<http://www.cmccorporation.com>

"OBSESSED WITH CABLE SOLUTIONS"



**1.0 PRIMARY:**  
 24 AWG (19/36) Bare Copper  
 Polyvinyl Chloride, .049 ± .002" Diameter

**2.0 TWISTED PAIR:**  
 .098" ± .004" Diameter  
 Color Code:  
 1. Black & Red                      2. Black & White  
 3. Black & Green                    4. Black & Blue  
 5. Black & Yellow                    6. Black & Brown

**3.0 OVERALL CABLE:**  
 Twisted Pairs Required: 6  
 Filler As Required for Roundness  
 Aluminum (Out)/Polyester Tape, 25% Nominal Overlap

**4.0 BRAIDED SHIELD:**  
 38 AWG Tinned Copper Braid Shield, 85% Nominal Coverage

**5.0 JACKET:**  
 Separator: Tissue Tape, Optional  
 Polyvinyl Chloride, .049" Wall Thickness  
 .364" +/- .010" Final Diameter  
 Color: Gray, Semi Gloss  
**Print Legend (Black Ink):** E41663 24AWG 6/PR   
 AWM 20106 105°C 300V --- LL33361 CSA AWM I/II  
 A/B 105°C 300V FT1

**6.0 INDUSTRY STANDARD REQUIREMENTS:**  
 RoHS Compliant per European Union Directive  
 2002/95/EC

**7.0 SAFETY CERTIFICATIONS:**  
 UL AWM: 20106 105°C 300V  
 CSA AWM I/II A/B 105°C 300V FT1

**8.0 ELECTRICAL CHARACTERISTICS:**  
 Conductor DCR: 23.64 Ohms/MFT @ 20°C Max

PRELIMINARY SPECIFICATION

A	PRELIMINARY SPECIFICATION	N.Lloyd 03/26/09	ALL VALUES ARE NOMINAL UNLESS OTHERWISE SPECIFIED <b>PROPRIETARY INFORMATION</b> DO NOT DUPLICATE WITHOUT WRITTEN CONSENT FROM C&M		<b>C&amp;M DESCRIPTION</b> 6 PAIR OVERALL SHIELDED AND JACKETED CABLE	
	REV	DESCRIPTION	ENG/DATE	<b>APPROVALS</b>	<b>DATE</b>	<b>C&amp;M PART NUMBER</b>
<b>REVISION STATUS</b>				DRAWN: PAB	03/26/09	75552
				CHECK:		<b>SHEET 1 OF 2</b>
						REV. A

51 S. Walnut St., P.O. Box 348  
 Wauregan, CT 06387-0348  
 Phone: (860) 774-4812  
 Fax: (860) 774-7330



"OBSESSED WITH CABLE SOLUTIONS"

<http://www.cmccorporation.com/>

**REVISION HISTORY**

REVISION	DATE	ENG	DESCRIPTION
A	03/26/09	NL	PRELIMINARY SPECIFICATION

PRELIMINARY SPECIFICATION

A	PRELIMINARY SPECIFICATION	N.Lloyd 03/26/09	ALL VALUES ARE NOMINAL UNLESS OTHERWISE SPECIFIED <b>PROPRIETARY INFORMATION</b> DO NOT DUPLICATE WITHOUT WRITTEN CONSENT FROM C&M		<b>C&amp;M DESCRIPTION</b> 6 PAIR OVERALL SHIELDED AND JACKETED CABLE		
REV	DESCRIPTION	ENG/DATE	<b>APPROVALS</b>		<b>DATE</b>	<b>C&amp;M PART NUMBER</b>	<b>REV.</b>
<b>REVISION STATUS</b>			DRAWN:	PAB	03/26/09	75552	A
			CHECK:			<b>SHEET 2 OF 2</b>	