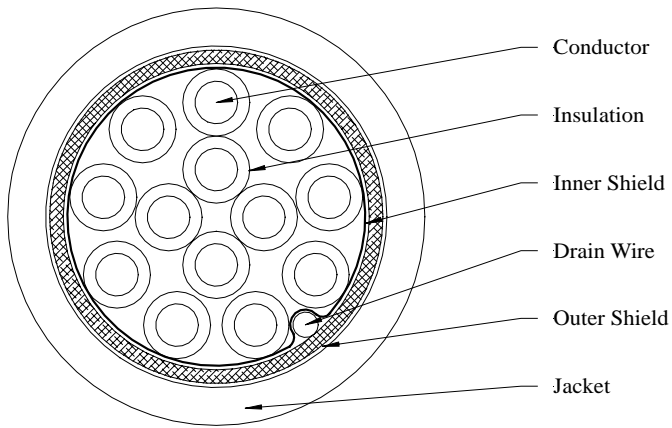


13 CONDUCTOR 24 AWG CABLE



ELECTRICAL CHARACTERISTICS

Conductor DC Resistance: 0.024 Ohms/ft Nominal @ 20°C

SAFETY CERTIFICATION

UL Listing: Type CL2 as specified in Article 725 of the National Electrical Code
UL Listing: Type DP-3 as specified in Article 645 of the National Electrical Code
CSA Certification: AWM II A/B 75°C 300 Volts FT4
RoHS Compliance: In Accordance to European Directive 2002/95/EC, Issue 13.2.2003

CONSTRUCTION

Single Component

Conductor: 24 AWG 7/32 Tin Plated Copper, 0.024 Inch Diameter
Insulation: 0.0095 Inches of Foam Polypropylene, 0.043 Inch Diameter

Final Assembly

Core: 4 Singles (#1-4) Cabled Together
Layer 1: 9 Singles (#5-13) Cabled Around Core
Inner Shield: Aluminum/Polyester Tape, Aluminum Side Facing Out, 25% Overlap
Drain Wire: 24 AWG 7/32 Tin Plated Copper, 0.024 Inch Diameter
Outer Shield: 38 AWG Tin Plated Copper Braid, 90% Coverage
Jacket: 0.032 Inches of XPbT, Color – Black
Diameter: 0.270 ± 0.010 Inches
Print Legend (White Ink): "TYPE CL2 75°C 24 AWG (UL) OR TYPE DP-3
 MADISON CABLE CSA AWM II A/B 75°C 300V FT4 RoHS
 COMPLIANT"

COLOR CODE

Conductor #	Insulation/Tracer Color
1	White/Blue
2	White/Orange
3	White/Green
4	White/Brown
5	White/Red
6	White/Violet
7	White/Black
8	Gray/Blue
9	Gray/Orange
10	Gray/Green
11	Gray/Brown
12	Gray/Red
13	Gray/Violet

125 Goddard Memorial Drive • Worcester, MA 01603 USA
 Tel: (508) 752-2884 Toll-Free: (877) MADISON Fax: (508) 752-4230

REVISION HISTORY

Rev #	Date	By	Description
1	03/15/06	KA	Initial Release
Prepared By:		K. Arsenault	Page 1 of 1
Reviewed By:		B. Harvie B. Morissette	

Spec Number:	101-4500
Part Number:	13KFCLF001
Customer:	
Customer #:	