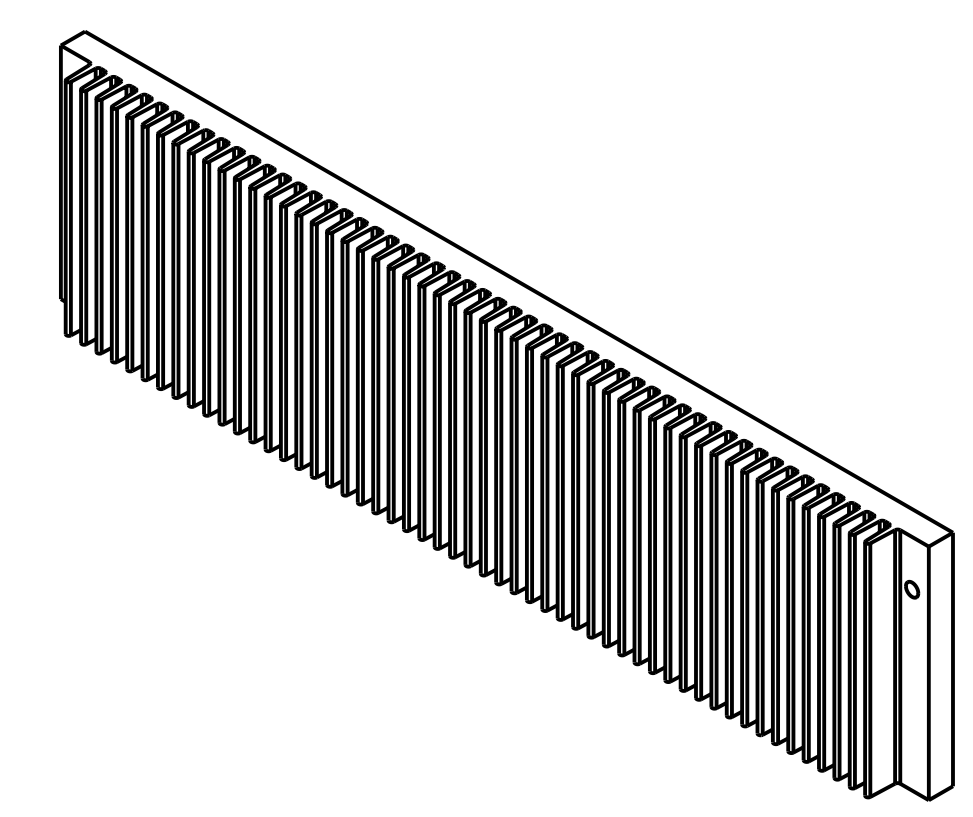
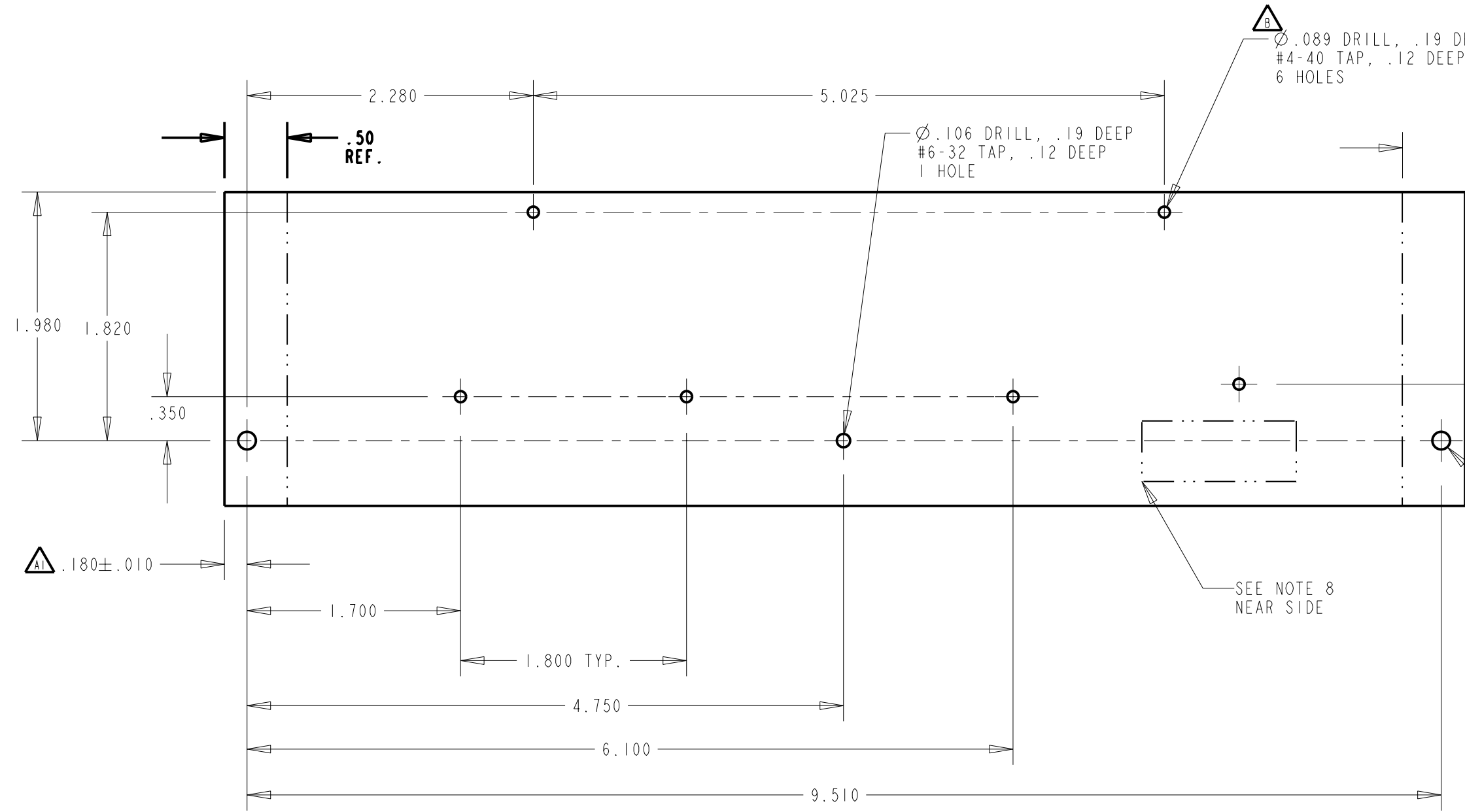
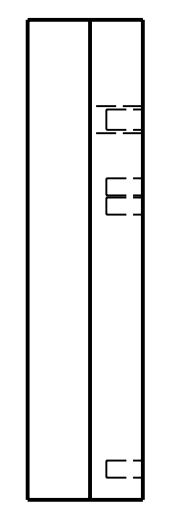
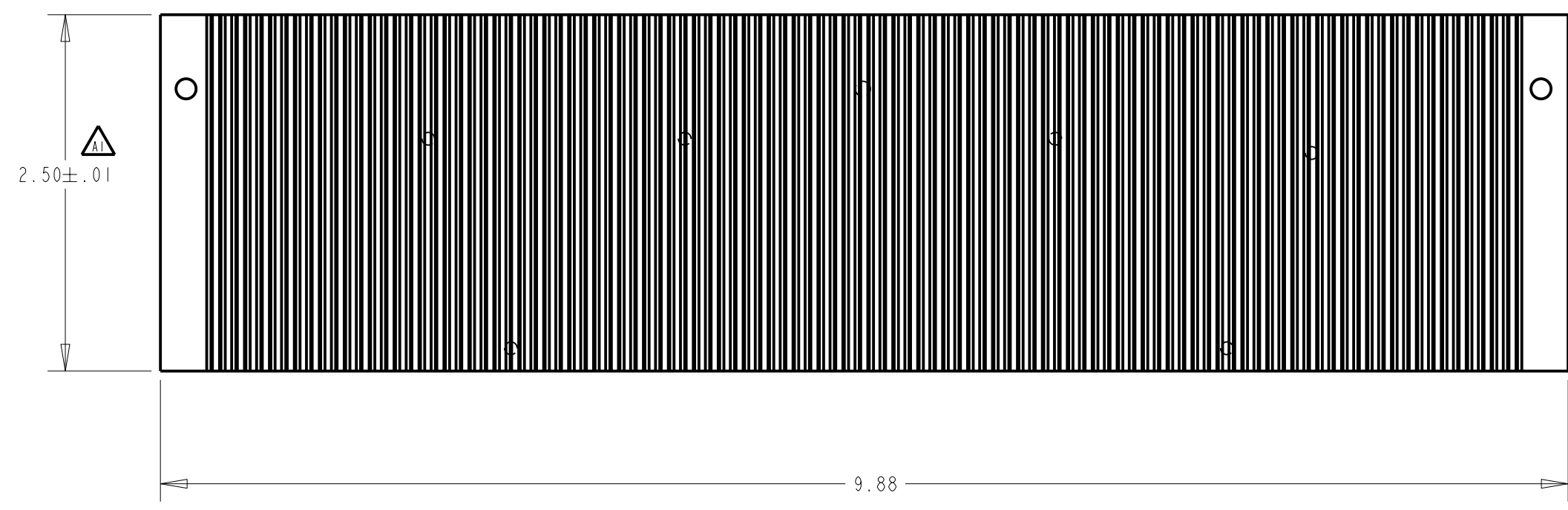
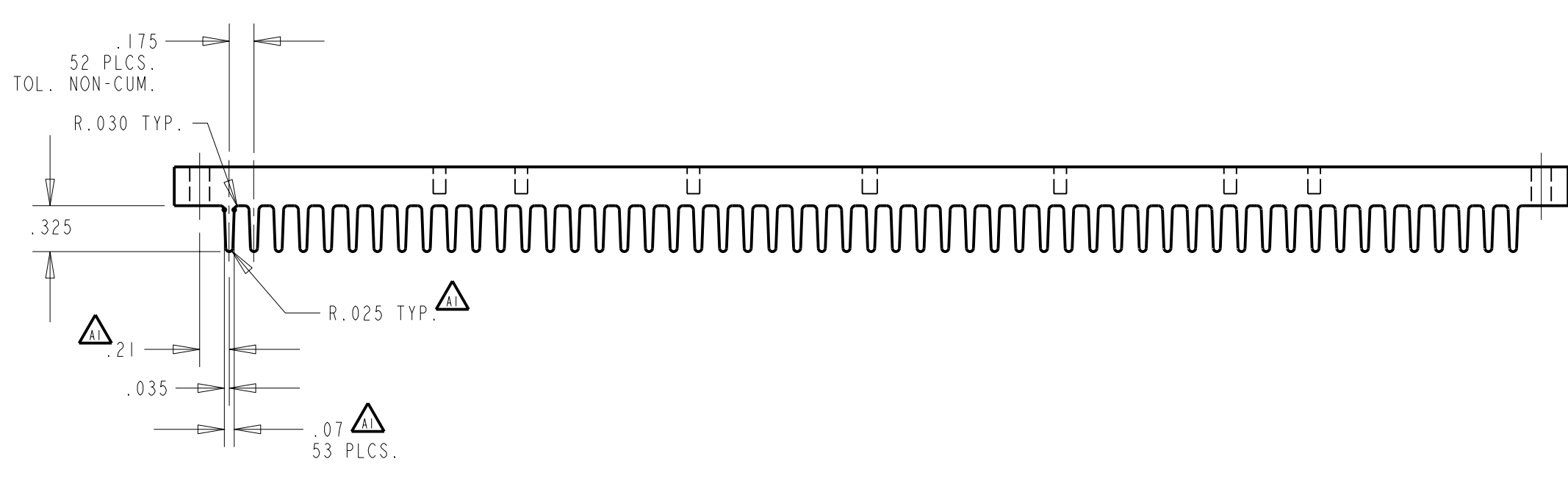


LTR	ECA NO.	REVISION	ENG	DATE
A	19360	RELEASED	J.S.	11/27/96
A1	19497	ADDED .450, ±.010 TOL. NOTES 5-7 .025 WAS .035, .21 & .07 WERE .210 & .070	J.S.	1/15/97
B	19905	.23 & .16 WERE .19 & .12 RESP.		



- NOTES:
1. MATERIAL: 6063-T5 ALUMINUM ALLOY
  2. FINISH: BLACK ANODIZED, EXCEPT WHERE NOTED.
  3. FLATNESS: .003 IN/IN MAX.
  4. PART TO BE COMPLETELY DEBURRED AND DEGREASED.
  5. STANDARD COMMERCIAL EXTRUSION TOLERANCES APPLY.
  6. LEAD-IN TOLERANCE ±.010.
  7. FEATURE TO FEATURE TOLERANCE ±.005.
  8. THE KEITHLEY PART NUMBER AND REVISION LETTER SHALL BE PERMANENTLY INK STAMPED IN THE APPROX. LOCATION SHOWN. THE REVISION LETTER SHOULD FOLLOW THE PART NUMBER WITH A SPACE BETWEEN. ALL PART NUMBERS SHALL BE .12" TALL.



DO NOT SCALE THIS DRAWING		DIMENSIONAL TOLERANCES UNLESS OTHERWISE SPECIFIED		DATE 11/22/96	SCALE 1:1	TITLE HEAT SINK
Keithley Instruments Inc. Cleveland, Ohio 44139		DRN. P.S.	ENG APPR. J.S.	MATERIAL SEE NOTE 1		NO. 2420-308
		SURFACE MAX. 63 ✓		FINISH SEE NOTE 2		

A | B | C | D | E | F | G