

# HITACHI CABLE MANCHESTER

## Customer Specification

HCM - 48106/25

**RFQ #:** 36212

**ITEM DESCRIPTION:** ELECTRONIC CABLE, CONSISTING OF 12.5 PAIRS, 24 AWG, SHIELDED WITH A PVC JACKET. CM, C(UL)

**COMPONENT A:**

**CONDUCTOR:** 24 AWG 7/32 TINNED COPPER  
.024" NOM OD

**INSULATION:** SEMI-RIGID PVC LF  
.043" NOM OD  
.0095" AVG WALL

**COND # COLOR**  
1 GRN/YEL

**COMPONENT B:**

**CONDUCTOR:** 24 AWG 7/32 TINNED COPPER  
.024" NOM OD

**INSULATION:** SEMI-RIGID PVC LF  
.043" NOM OD  
.0095" AVG WALL

**PAIRING:**

THE COMPONENTS ARE TWISTED INTO PAIRS USING A RIGHT HAND LAY.

<b><u>PAIR #</u></b>	<b><u>COLOR</u></b>	<b><u>PAIR #</u></b>	<b><u>COLOR</u></b>
1	BLK+RED	2	BLK+WHT
3	BLK+GRN	4	BLK+BLU
5	BLK+YEL	6	BLK+BRN
7	BLK+ORN	8	RED+WHT
9	RED+GRN	10	RED+BLU
11	RED+YEL	12	RED+BRN

HITACHI CABLE MANCHESTER, INC. 900 Holt Avenue-East Industrial Park Manchester, N.H. 03109 (603) 669-4347	Drawn By: JME      Date: 04/30/08 Checked By: PFA      Date: 05/02/08 Issued By: JME      Date: 05/02/08	REV#
	THIS PRODUCT MADE IN THE U.S.A.	
ITEM: 48106-0025-GC2-XXX-880-S-01000-3430-00	PAGE 1 of 2 Approved By:      Date:	

# HITACHI CABLE MANCHESTER

## Customer Specification

HCM - 48106/25

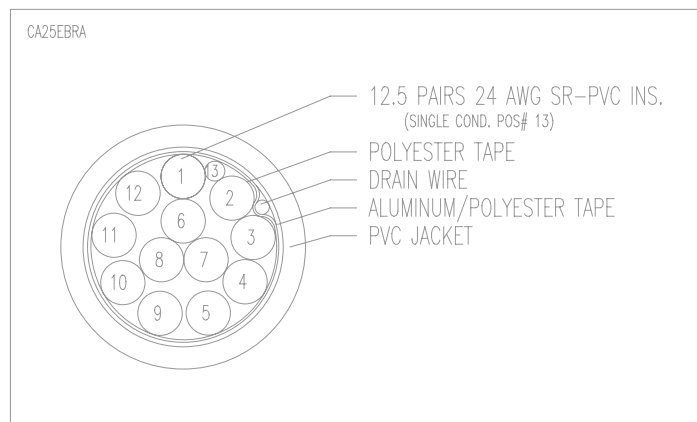
### CABLING:

ALL COMPONENTS ARE CABLED TOGETHER WITH A LH LAY AND WRAPPED WITH AN ALUMINUM/POLYESTER TAPE (ALUMINUM SIDE OUT), A MYLAR TAPE IS APPLIED OVERALL. A 24 AWG 7/32TC DRAIN WIRE IS PULLED IN BETWEEN THE TWO TAPES. 25% MIN OVERLAP ON TAPES.

### OVERALL JACKET:

PVC LF CHROME GRAY  
.364" NOM OD  
.037" AVG WALL

JACKET IS TO BE ROUND AND SMOOTH.



### MARKING:

THE CABLE IS IDENTIFIED WITH THE FOLLOWING PRINT LEGEND:

**HCM 48106 (UL) TYPE CM C(UL) 24 AWG 75C SHIELDED  
- Z/YY (XXXX)**

**WHERE: Z = MONTH OF MFG**

**YY = YEAR OF MFG**

**XXXX = JOB #**

UNDERWRITERS LABORATORIES, INC. TYPE CM CLASSIFIED COMMUNICATIONS CABLE FOR GENERAL PURPOSE COMMUNICATIONS USE WITH THE EXCEPTION OF RISERS AND PLENUMS, IN ACCORDANCE WITH ARTICLE 800 OF THE NATIONAL ELECTRIC CODE.