

## PowerSwitch™ MIDSR-23 30Amp, 600VAC Mechanically Interlocked Disconnect Switch with Receptacle

Watertight for Outdoor and Indoor Applications



Leviton is pleased to announce the expansion of our line of PowerSwitch™ mechanical interlock devices with the addition of the MIDSR-23 Mechanically Interlocked Disconnect Switch with Integrated Receptacle. Leviton's MIDSR-23 can be used with any 20A or 30A NEMA locking single receptacle. It meets the requirements for outdoor/indoor applications conforming to UL Standard 50, NEMA environmental ratings of 4X and 12K and is rated IP66 when used in conjunction with Leviton Wetguard™ plugs.



## MIDSR-23 Features

- Meets the requirements of Outdoor/Indoor installations, conforming to IP 66, UL Standard 50, and NEMA Environmental Ratings of 4X, 12K, **only** when used in conjunction with Leviton Wetguard™ plugs.
- Meets the requirements of Outdoor/Indoor installations conforming to IP 54 and NEMA 3R with cover closed, while not in use.
- For use with 20A - 30A NEMA locking plugs up to 600V.
- Provides ON-OFF switched control for a connected load.
- This enclosure provides lockout capability in compliance with OSHA Lockout/Tagout Regulation 29 CFR Part 1910.147 (in the OFF position) with an acceptable padlock/shackle, thereby assuring the connected equipment cannot be energized.
- Auxiliary contact open prior to the line contacts for pilot duty switching.

Drill points and ample space provided for bottom or top conduit entry (conduit hub not included)

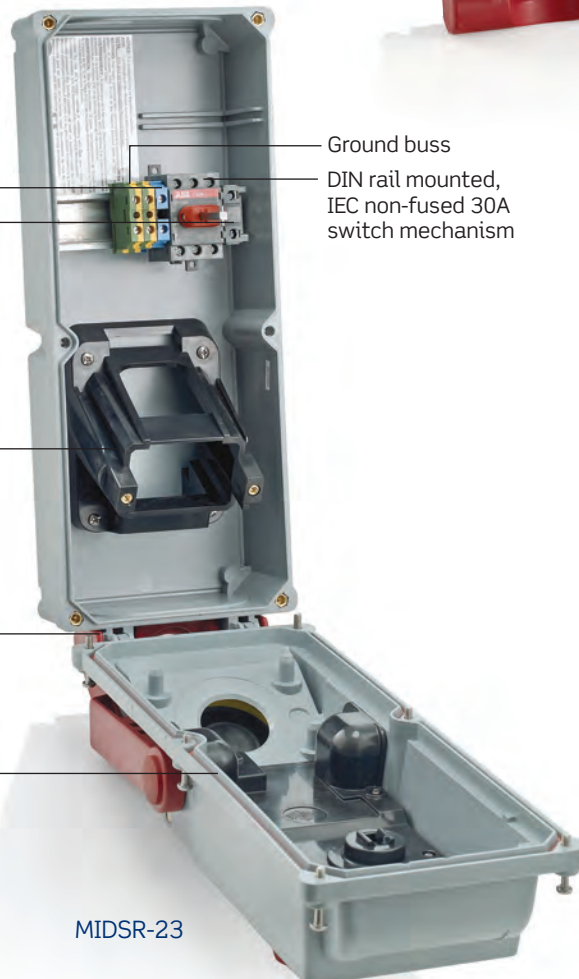
Captive stainless steel screws won't fall out when cover is open

Place receptacle amperage and voltage label here

Impact resistant, non-conductive Valox® thermoplastic housing and handle

Housing material has UL94 V-0 self-extinguishing flammability rating

Interlock mechanism (patent # 6956176) prevents receptacle from being energized when handle is down; constrains plug when up



Neutral buss

One factory installed auxiliary contact (normally open - 10Amp). Additional auxiliary contacts available (normally closed - 10Amp). Early make, late break contacts

Accepts 20A or 30A, up to 600V, Leviton V-0-MAX™ or any competitive NEMA locking flush receptacle (sold separately)

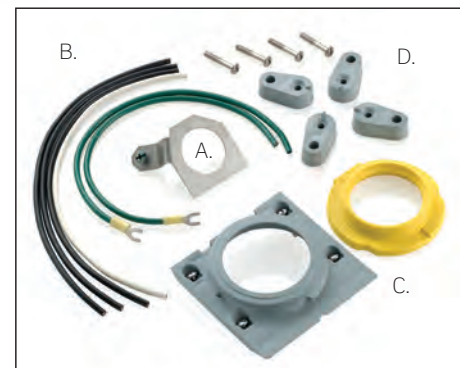
Bottom-hinged mechanism pivots 180 deg. for easy access during installation and maintenance

Factory installed cover gasket

Ground buss

DIN rail mounted, IEC non-fused 30A switch mechanism

## MIDSR-23 Accessories (included)



A. 1-green wire and ground bracket

B. 5 pieces of wire accommodating all receptacle to switch connections (1-white, 1-green, 3-black)

C. Wetguard® seal package for use with corrosion resistant receptacles and Wetguard plugs

D. Mounting feet

MIDSR-23

10 YEAR LIMITED WARRANTY

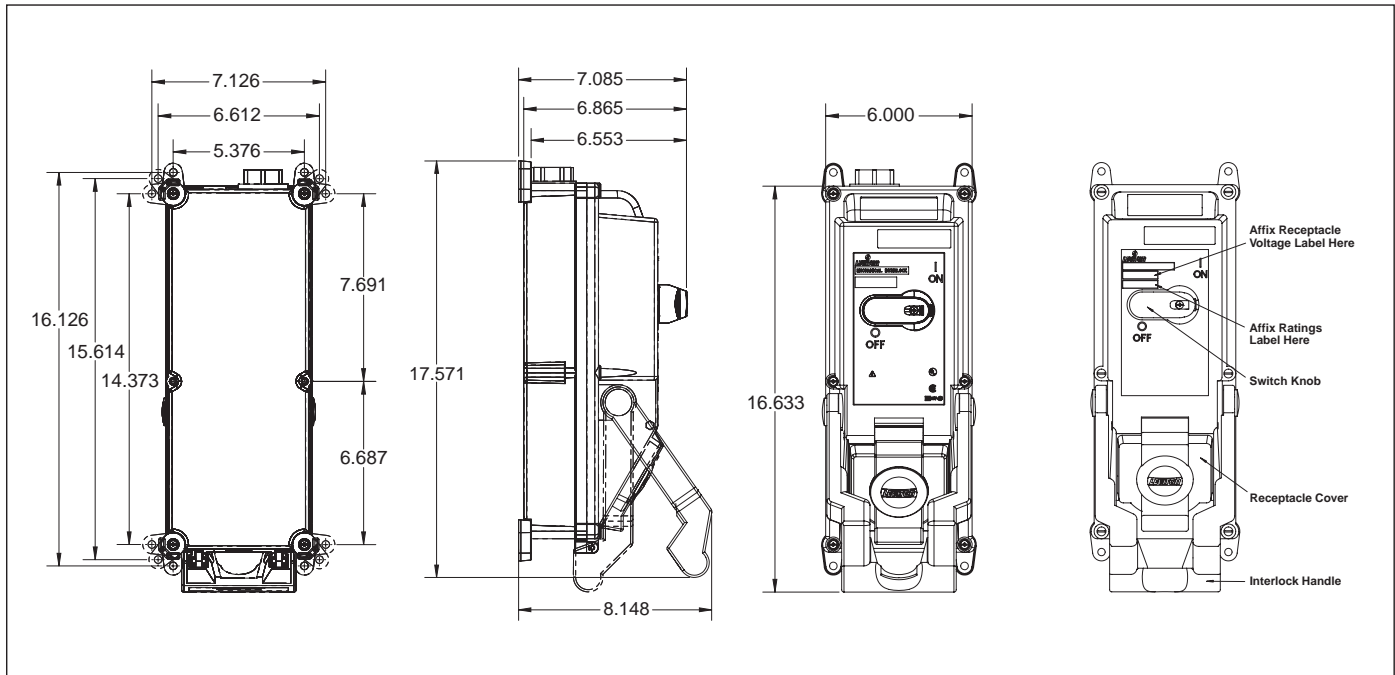
## Ordering Information

The list of companion receptacles for use with MIDS-R-23, along with mating plug information, is shown below.

Note: For an environmental rating of IP66, UL Standard 50, and NEMA environmental ratings of 4X and 12K, a Leviton WETGUARD™ mating locking plug must be used.

Ratings								
Amps	Wiring	Voltage, AC	NEMA CONFIG	HP Rating	Receptacle		Plug	
					Type	Cat. No.	Type	Cat. No.
20	2P, 3W	125	L5-20	1	V0 Max Std	2310	Power Indicator	2311-PLC
					V0 Max CR	23CM10	Wetguard	26W47
		250	L6-20	2	V0 Max Std	2320	Power Indicator	2321-PLC
					V0 Max CR	23CM20	Wetguard	26W48
		277	L7-20	2	V0 Max Std	2330	Power Indicator	2331-PLC
	V0 Max CR				23CM30	Wetguard	26W49	
	480	L8-20	3	V0 Max Std	2340	Black&White	2341	
	600	L9-20	NA	V0 Max Std	2350	Black&White	2351	
	3P, 4W	125/250	L14-20	2 L-L 1 L-N	V0 Max Std	2410	Black&White	2411
					V0 Max CR	24CM10	Wetguard	26W74
		3Ø250	L15-20	3	V0 Max Std	2420	Black&White	2421
					V0 Max CR	24CM20	Wetguard	26W75
		3Ø480	L16-20	5	V0 Max Std	2430	Black&White	2431
					V0 Max CR	24CM30	Wetguard	26W76
	4P, 5W	3Ø Wye 120/208	L21-20	2	V0 Max Std	2510	Black&White	2511
					V0 Max Std	2510	Wetguard	26W81
		3Ø Wye 277/480	L22-20	5	V0 Max Std	2520	Black&White	2521
					V0 Max Std	2520	Wetguard	26W82
3Ø Wye 347/600		L23-20	NA	V0 Max Std	2530	Black&White	2531	
				V0 Max Std	2530	Wetguard	26W83	
30	2P, 3W	125	L5-30	2	V0 Max Std	2610	Power Indicator	2611-PLC
					V0 Max CR	26CM10	Wetguard	28W47
		250	L6-30	2	V0 Max Std	2620	Power Indicator	2621-PLC
					V0 Max CR	26CM20	Wetguard	28W48
		277	L7-30	3	V0 Max Std	2630	Power Indicator	2631-PLC
	V0 Max Std				2630	Wetguard	28W49	
	480	L8-30	5	V0 Max Std	2640	Black&White	2641	
	600	L9-30	NA	V0 Max Std	2650	Black&White	C2651	
	3P, 4W	125/250	L14-30	2 L-N 2 L-L	V0 Max Std	2710	Black&White	2711
					V0 Max CR	27CM10	Wetguard	28W74
		3Ø250	L15-30	3	V0 Max Std	2720	Black&White	2721
					V0 Max CR	27CM20	Wetguard	28W75
		3Ø480	L16-30	10	V0 Max Std	2730	Black&White	2731
					V0 Max Std	2730	Wetguard	28W76
		3Ø600	L17-30	NA	V0 Max Std	2740	Black&White	2741
					V0 Max Std	2740	Wetguard	28W77
	4P, 5W	3Ø Wye 120/208	L21-30	3	V0 Max Std	2810	Black&White	2811
					V0 Max Std	2810	Wetguard	28W81
		3Ø Wye 277/480	L22-30	10	V0 Max Std	2820	Black&White	2821
					V0 Max Std	2820	Wetguard	28W82
		3Ø Wye 347/600	L23-30	NA	V0 Max Std	2830	Black&White	2831
V0 Max Std					2830	Wetguard	28W83	

## Dimensions



## Specifications

### Interrupting Ratings — RMS Symmetrical Amperes

Suitable for use on circuits capable of delivering not more than 10,000 RMS Symmetrical Amperes

Electrical				Mechanical		Environmental	
Ground Path Integrity	Device	Current Applied	Duration	Mold Stress Relief	70°C for 7 hours	Flammability	V-2 or better per UL 94 or CSA 22.2 No 0.6; V-0 for watertight enclosure
	30A	60A	2 min	Knockout Test	Remains in place with 20 lb push	Rain (3R) per UL 50	Water spray @ 5 psi from all sides for 1 hr
				Crush	100 lb	Hosedown (4X) per UL 50	Water spray @ 65 gal/min for 5 min.
Current Interrupting		Certified for current interrupting at full-rated current and voltage		Impact	1.2 lb steel ball dropped from 5 ft	Dust (12K) per UL 50	Cement Dust Circulated @1000 ft/minute for 5 min.
Endurance		6000 operations at rated current and voltage (Power factor 0.75 – 0.80)		Cold Impact	Same as above, after conditioning to -35°C	Gasket Aging	70°C for 168 hours
Dielectric		1000 V plus twice rated voltage for 1 minute		Strength of Insulating Base and Support	110% of specified tightening torque on terminal screws	UV Resistance	Exposed plastic materials are UV stabilized
				Pullout	18 lb pull on internal wires	Operating Temperature	-40°C to +60°C (-40°F to +140°F)

### Leviton Manufacturing Co., Inc.

201 N Service Rd, Melville, NY 11747  
 Telephone: 1-800-323-8920 • FAX: 1-800-832-9538  
 Tech Line (8:30AM-7:30PM E.S.T. Monday-Friday): 1-800-824-3005

### Leviton Manufacturing of Canada, Ltd.

165 Hymus Boulevard, Pointe Claire, Quebec H9R 1E9  
 Telephone: 1-800-469-7890 • FAX: 1-800-563-1853

### Leviton S. de R.L. de C.V.

Lago Tana 43, Mexico DF, Mexico CP 11290  
 Tel. (+52) 55-5082-1040 • Fax: (+52) 55-5386-1797 • www.leviton.com.mx

### Leviton Manufacturing of Dubai, Ltd.

J/Alf Free Zone, View 19 7th Floor, Office 701 • PO Box 262742 Dubai, UAE  
 Tel: +971 4 886 4722 • Fax: +971 4 886 4723

Visit our Website at: [www.leviton.com/industrial](http://www.leviton.com/industrial) email: [industrial@leviton.com](mailto:industrial@leviton.com)

© 2009 Leviton Manufacturing Co., Inc. All rights reserved.

PowerSwitch is a trademark of Leviton Manufacturing Co. Valox is a registered trademark of the General Electric Co.

