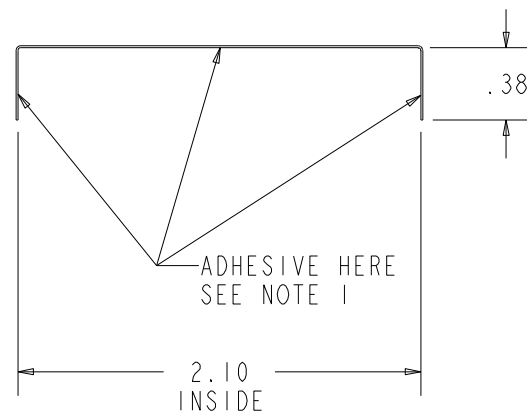
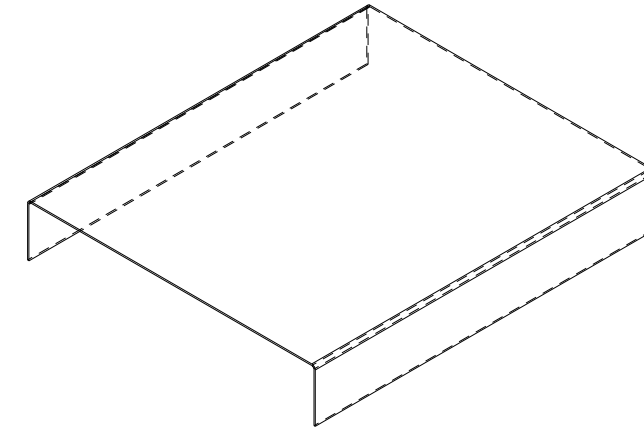


2450-334

ON

LTR	ECA NO.	REVISION	ENG	DATE
A	48262	RELEASED	PS	06/06/12



1. MATERIAL: FR-60-116 LEXAN FILM .010 THICK WITH PRESSURE SENSITIVE (3M) 467 ADHESIVE ON ONE SIDE.
2. DIELECTRIC STRENGTH: 1700 VOLTS/MIL @ 10 MILS (ASTM D149).
3. VOLUME RESISTIVITY: 10 OHM-CM (ASTM D257).
4. COLOR: CLEAR.

DO NOT SCALE THIS DRAWING		DIMENSIONAL TOLERANCES UNLESS OTHERWISE SPECIFIED		DATE 06/06/12	SCALE 1:1	TITLE INSULATOR	
Keithley Instruments Inc. Cleveland, Ohio 44139 CONFIDENTIAL PROPRIETARY	XX = ± .015	ANG. = ± 1°	DRN. <i>MAB</i>	ENG APPR. <i>PS</i>	MATERIAL SEE NOTE 1 FINISH N/A		
	XXX = ± .005	FRAC. = ± 1/64					
	RoHS COMPLIANT	SURFACE MAX. ⁶³			B	NO. 2450-334	