

Specifications

DVID DL Pro Cables

Performance/electrical

Standards.....	DVI 1.0
Data rate.....	Supports up to 10.2 Gbps
Maximum resolution	2560x1600 @ 60 Hz
Vertical frequency.....	Supports up to 60 Hz
Regulatory compliance	
Safety	UL CL2
Temperature rating.....	Minimum: -25 °C Maximum: 75 °C
Voltage	30 V
Pair impedance.....	100 ohms ±10 ohms
Attenuation.....	At 0.825 GHz: <8 dB per 10 m
Skew	
12 feet and shorter	
Intrapair	≤300 ps per 10 m
Interpair.....	≤2.4 ns per 10 m
25 feet and longer	
Intrapair.....	≤350 ps per 12 m
Interpair.....	≤2.4 ns per 12 m

General — physical characteristics

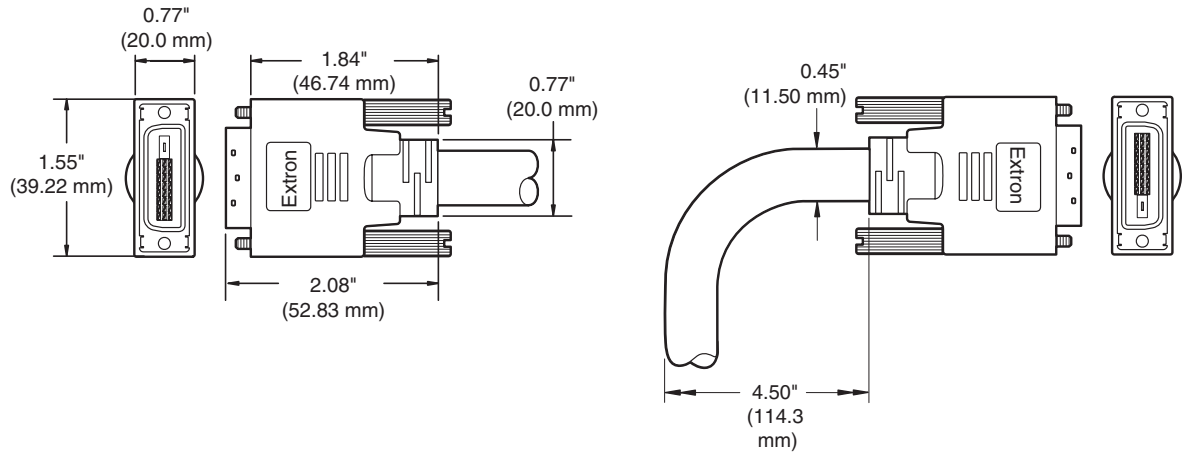
Connector type	1 male DVI-D dual link to 1 male DVI-D dual link
Contacts	Gold plated
Material	
12 feet and shorter	Conductors: silver coated, tinned copper Drain wire: tinned copper Jacket: PVC
25 feet and longer.....	Conductors: tinned copper Drain wire: tinned copper Jacket: PVC
Conductor guage	
12 feet and shorter.....	Conductors and drain wire: 24 AWG
25 feet and longer.....	Conductors and drain wire: 22 AWG

Connector dimensions..... 2.08" L* x 1.55" W x 0.77" thick
 (52.07 mm L* x 39.2 mm W x 20.0 mm thick)
 *Length includes plug.

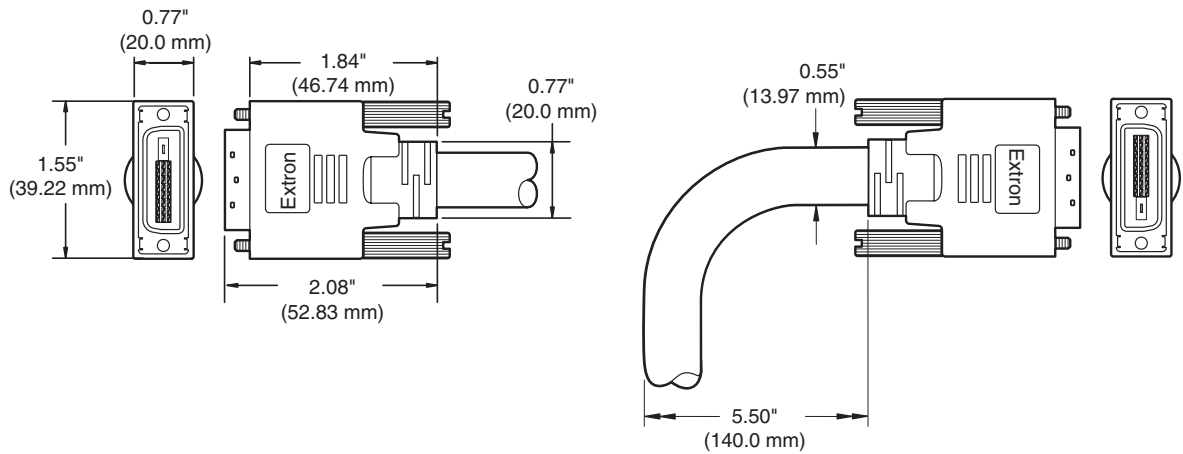
12 feet and shorter
 Cable outer diameter 0.45" (11.5 mm)
 Bend radius..... 4.50" (114.3 mm)

25 feet and longer
 Cable outer diameter 0.55" (14.0 mm)
 Bend radius..... 5.50" (140.0 mm)

DVID DL Pro 3' (90 cm), 6' (1.8 m), and 12' (3.6 m) Lengths



25' (7.6 m) - 200' (61.0 m) Lengths



NOTE: Dimensions given above exclude the cable length.

NOTE: Specifications are subject to change without notice.

8.0-083010-D2