

UNCONTROLLED COPY FOR  
PRELIMINARY DESIGN USE ONLY

REVISIONS			
REV	DCN#	DESCRIPTION	BY DATE
-	-	INITIAL DRAFT	KJP 03/14/2008
A	-	CHG TO 26 AWG SINGLES	KJP 05/06/2008

NEW ENGLAND WIRE TECHNOLOGIES P/N: N13-46S+00002-0

26 AWG SINGLES (3):  
26 AWG 3X35/46 SILVER PLATED OF COPPER,  
0.0035" PFA TO 0.027" +/- 0.001" OD - WHITE, BLACK, RED

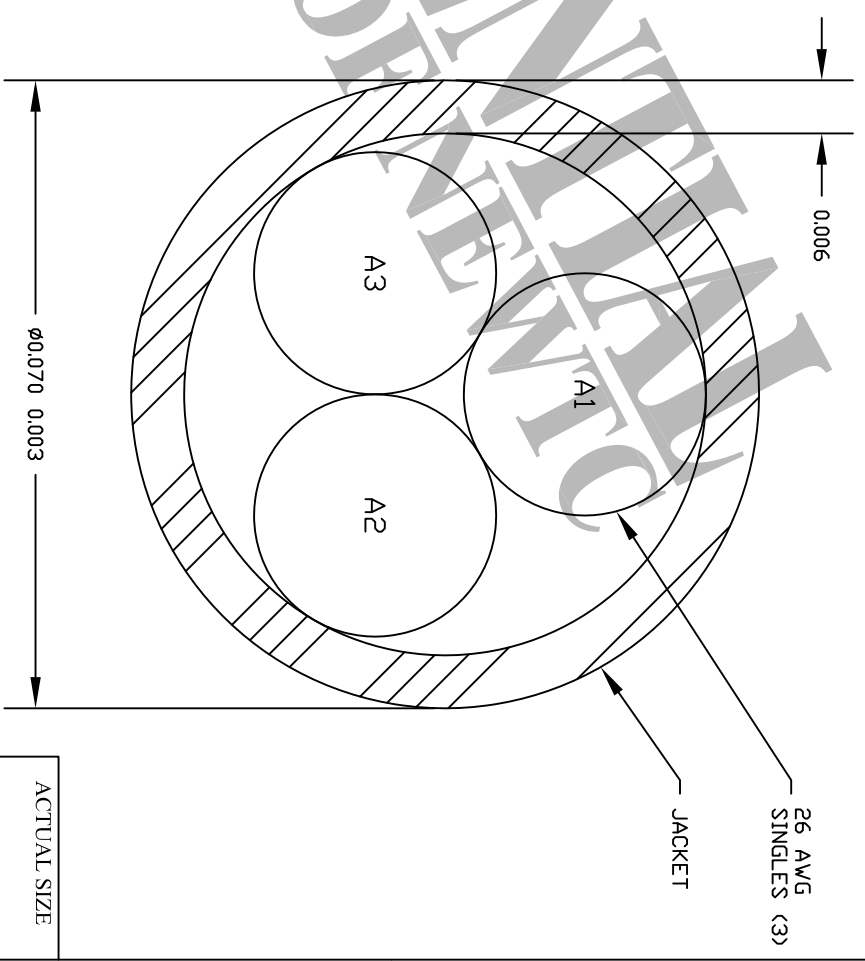
CABLE  
INSULATED SINGLES (3)

JACKET  
0.006" TRANSLUCENT PFA JACKET TO 0.070" +/- 0.003" OD

COLOR CODING:  
26 AWG SINGLES:

- A1 = WHITE
- A2 = BLACK
- A3 = RED

JACKET = TRANSLUCENT



THE ENTIRE INFORMATION CONTAINED HEREON IS THE PROPERTY OF  
NEW ENGLAND WIRE TECHNOLOGIES CORPORATION IN LISBON, NH  
AND MAY NOT BE REPRODUCED OR USED WITHOUT PERMISSION OF  
NEW ENGLAND WIRE TECHNOLOGIES CORPORATION,  
130 NORTH MAIN STREET, LISBON, NEW HAMPSHIRE 03585

ALL DIMENSIONS  
ARE IN INCHES  
UNLESS OTHERWISE  
SPECIFIED

ENG:			
PROD:			
DRAWN:	K. PARKER		
DATE:	05/06/2008		
DRAWING NUMBER:	P0803024	REV:	A
		CAGE NUMBER:	741116
		NEWT PART NUMBER:	PRELIMINARY
		SCALE:	NONE
		SIZE:	A
		SHEET NO.	1 OF 1

NEW ENGLAND WIRE TECHNOLOGIES  
*Innovate. Create. Accelerate.*  
TITLE:  
**3 CONDUCTOR CABLE**  
PRELIMINARY

Christine Trudell

Industrial Electric