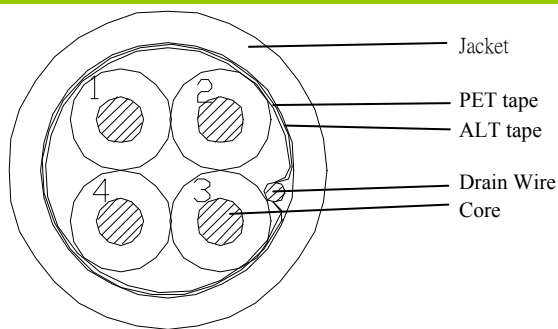


4CX26AWG CABLE

Cross Section



Color

Insulation:
1.Black 2.White 3.Green 4.Red .

Jacket:
Per request

Marking

None

Performance

Electrical Characteristics:
Max. Conductor DC Resistance at 20°C (Ω /km) 143.0

Description

Rated temperature 80C
Rated voltage 300V
Stranded Tinned Copper Wire Conductor
The Insulation and Jacket is lead free.

Application
For internal wiring of Control system

Reference standard
Customer's requestition

Construction

4C
Conductor Stranded Tinned Copper
AWG 26
Construction 7/0.154
Stranded Dia. (mm) 0.46
Insulation NHFR(XL-PE)
Min. Thickness (mm) 0.22
Nom. Thickness (mm) 0.27
Insulation Dia. (\pm 0.08mm) 1.00
Cabling 4C
Direction Z
PET tape(overlapping,%) \geq 25
Drain Wire Stranded Tinned Coppe
Construction 7/0.16
ALT tape(overlapping,%) \geq 25
Jacket PVC
Min. Thickness (mm) 0.48
Nom. Thickness (mm) 0.64
Jacket Dia. (\pm 0.15mm) 3.80

Mechanical Characteristics:

Test Object	Jacket
Test Material	PVC
Before Tensile Strength (Mpa)	\geq 10.3
Aging Elongation (%)	\geq 100
Aging Condition (°C)	113+/-1°C X168 hrs
After Tensile Strength (Mpa)	\geq 70% of original
Aging Elongation (%)	\geq 65% of original
Flammability Test	VW-1

Sample NO.:

Ref. spec No. : SK-O-3466 Rev.:2

Revision History

1.chang OD, cancel rev.0
2.Change the construction of conductor, add the temperature and vottage



LTK WIRING CO. LTD.

7/F Harbour View 2, 18 Science Park East Avenue
Hong Kong Science Park, Shatin, Hong Kong

A BELDEN COMPANY

Tel: (852) 2382 1133

Email: sales@ltkable.com

Fax: (852) 2480 8327

URL: http://www.ltkable.com

- LTK Electric Wire (Huizhou) Ltd.
- Dalian LTK Electric Wire Ltd.
- LTK Industries (Suzhou) Ltd.
- LTK Cable (Chongqing) Ltd.

Prepared by: wangxj 15-Mar-10 Form No.:TFA046 Form Rev.: 4
Approved by: CICI 15-Mar-10 Page 1 of 1