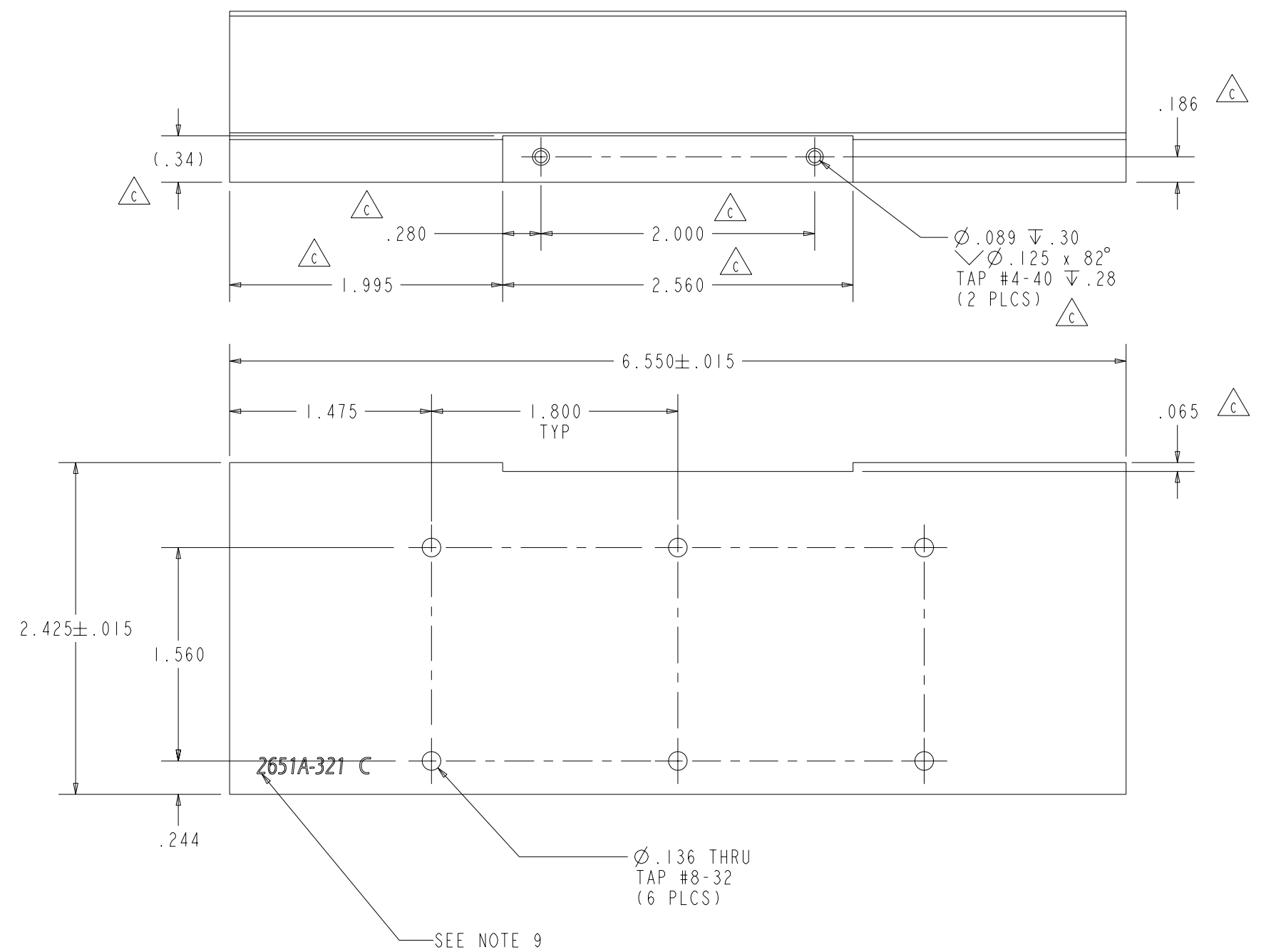
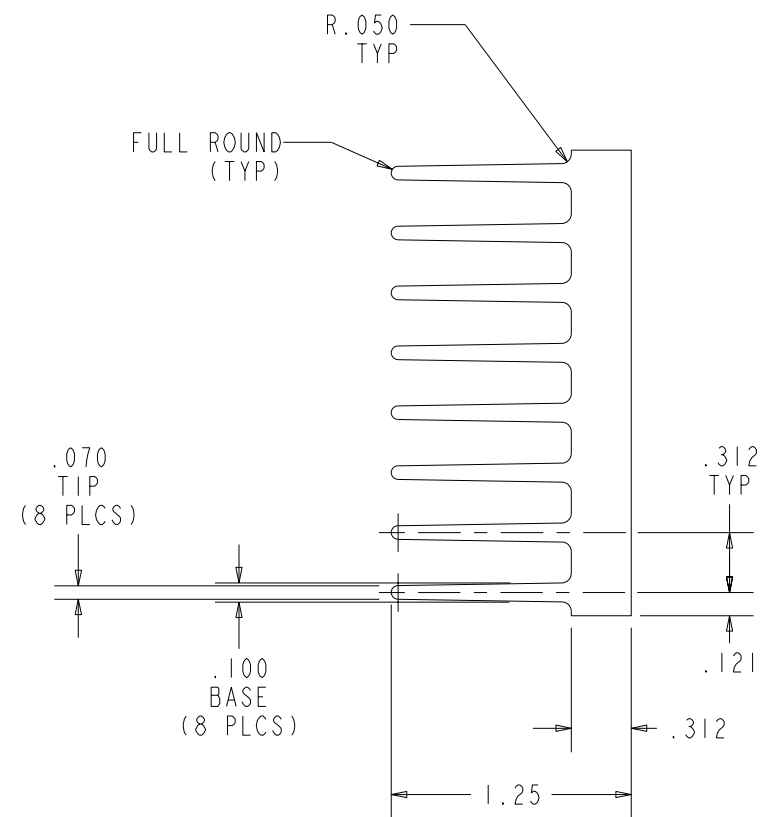
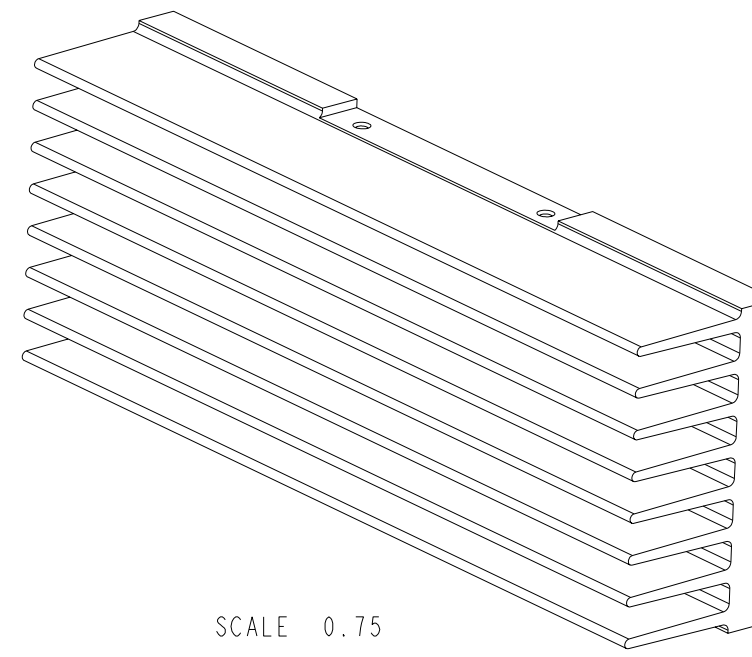
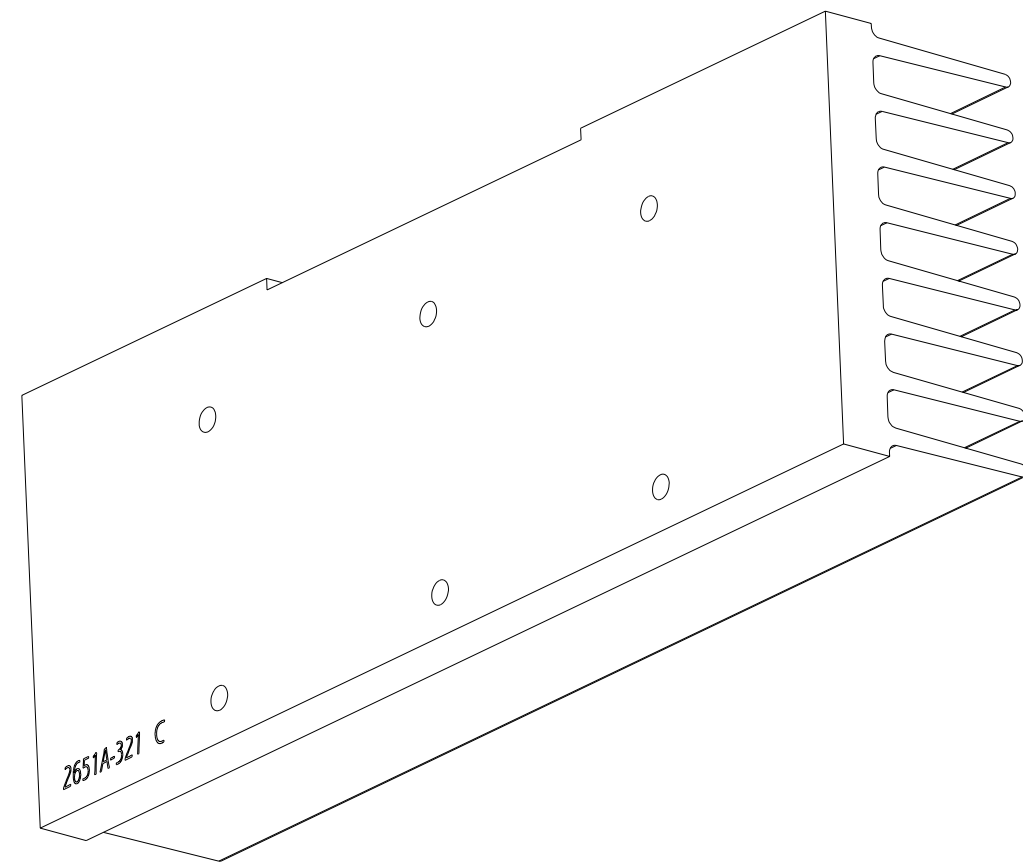


173-V199Z

LTR	ECA NO.	REVISION	ENG	DATE
B	46745	RELEASED	PS	5-10-10
C	47268	ADDED MILLED POCKET 2 TAPPED HOLES TO TOP SURFACE	JAP	12-10



- NOTES:
1. MATERIAL: 6063-T5 ALUMINUM ALLOY
 2. FINISH: BLACK ANODIZED, EXCEPT IN THREADS.
 3. FLATNESS: .003 IN/IN MAX.
 4. PART TO BE COMPLETELY DEBURRED AND DEGREASED.
 5. EXTRUSION PROFILE: M&M METALS P/N: MM64100
 6. STANDARD COMMERCIAL EXTRUSION TOLERANCES APPLY.
 7. LEAD-IN TOLERANCE ±.010.
 8. FEATURE TO FEATURE TOLERANCE ±.005.
 9. THE KEITHLEY PART NUMBER AND REVISION LETTER SHALL BE PERMANENTLY MARKED IN THE APPROX. LOCATION SHOWN. THE REVISION LETTER SHOULD FOLLOW THE PART NUMBER WITH A SPACE BETWEEN. ALL PART NUMBERS SHALL BE .12" TALL.

DO NOT SCALE THIS DRAWING		DIMENSIONAL TOLERANCES UNLESS OTHERWISE SPECIFIED		DATE 5-10-10	SCALE 1:1	TITLE ANALOG HEAT SINK FIN
KEITHLEY Keithley Instruments Inc. Cleveland, Ohio 44139		XX = ± .015	ANG. = ± 1°	DRN. JAP	ENG APPR. PS	HI CURRENT SMU
CONFIDENTIAL PROPRIETARY		XXX = ± .005	FRAC. = ± 1/64	SEE NOTE 1		NO. 2651A-321
RoHS COMPLIANT		SURFACE MAX. √		SEE NOTE 2		