

PUSH WIRE® connector for junction boxes; 3-conductor terminal block

Item No.: 273-100



PUSH WIRE® connector for junction boxes; 3-conductor terminal block

Marking

RoHS ✓
Compliant

Business data

Supplier	WAGO
Item no.	273-100
GTIN / EAN	4044918292986
Content	1
Order amount	100
Customer item number	

Notes

Safety information 2: When using conductors of exclusively the same cross section, 0.5 mm²/AWG 20 is also possible.

Technical data

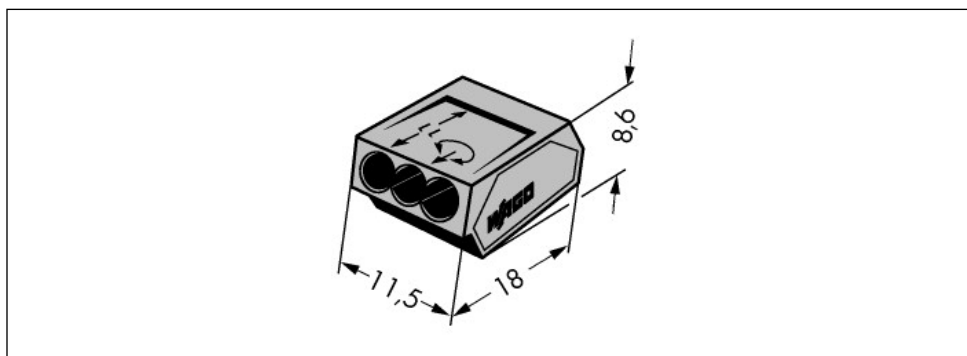
Miscellaneous

Total number of connection points	3
Total number of potentials	1
Color	gray
Pollution degree (1)	2
Rated voltage EN (1) [V]	400 [V]
Rated surge voltage (1) [kV]	4 [kV]
Nominal current [A]	18 [A]
Connection technology (1)	PUSH WIRE®

Technical data	
<i>Solid sizes 1</i>	<i>0.75 ... 1.5 mm² / 18 ... 16 AWG</i>
<i>Strip length 1</i>	<i>10 ... 13 mm / 0.39 ... 0.51 in</i>
<i>Type of wiring</i>	<i>Side-entry wiring</i>
<i>Fire load [MJ]</i>	<i>0.029 [MJ]</i>
<i>Weight [g]</i>	<i>1.571 [g]</i>
<i>Width</i>	<i>11.5 mm / 0.453 in</i>
<i>Height</i>	<i>8.6 mm / 0.339 in</i>
<i>Length</i>	<i>18 mm / 0.709 in</i>
<i>Safety information 1</i>	<i>In grounded power lines</i>

Images & drawings





Address

WAGO Kontakttechnik GmbH & Co. KG

Hansastr. 27

32423 Minden

Telefon: 0571/887-0

Fax: 0571/887-169

<http://www.wago.com>

© WAGO Kontakttechnik GmbH & Co. KG

Technische Änderungen und Irrtümer vorbehalten.