


316L Stainless Steel - Hygienic Cable Glands

RG/FP Hygienic Glands - Metric Threads



PVDF / Stainless Steel

RG Gland							
Part Numbers	Cable Range	Thread Type & Size	Dimensions in Inches (mm)				
			A	TL	B	E	F
-40°F to 248°F (-40°C to 120°C)			Clearance Hole +.01" (+.25 mm)	Thread Length	Body Length	Hole Diameter	Wrench Flat
	Inches (mm)	See page 56 for thread specs					
RG12MA-6S	.20 - .26 (5 - 6.5)	M12 x 1.5	.47 (12)	.24 (6)	.75 (19)	.83 (21)	.55 (14)
RG17MA-6S	.30 - .40 (7.5 - 10)	M16 x 1.5	.63 (16)	.24 (6)	.79 (20)	1.06 (27)	.75 / .83 (19 / 21)
RG17MR-6S	.24 - .30 (6 - 7.5)	M16 x 1.5	.63 (16)	.24 (6)	.79 (20)	1.06 (27)	.75 / .83 (19 / 21)
RG22MA-6S	.43 - .53 (11 - 13.5)	M20 x 1.5	.79 (20)	.24 (6)	.89 (22.5)	1.30 (33)	.94 / 1.06 (24 / 27)
RG22MR-6S	.43 - .53 (11 - 13.5)	M20 x 1.5	.79 (20)	.24(6)	.79 (20)	1.10 (28)	.83 / .94 (21 / 24)
RG25MA-6S	.60 - .71 (15 - 18)	M25 x 1.5	.98 (25)	.28 (7)	.93 (23.5)	1.50 (38)	1.18 (30)
RG25MK-6S	.55 - .63 (14 - 16)	M25 x 1.5	.98 (25)	.28 (7)	.93 (23.5)	1.50 (38)	1.18 (30)
RG25MR-6S	.51" - .59" (13 - 15)	M25 x 1.5	.98 (25)	.28 (7)	.93 (23.5)	1.50 (38)	1.18 (30)
RG32MA-6S	.83 - .99 (21 - 25)	M32 x 1.5	1.26 (32)	.31 (8)	1.04 (26.5)	1.77 (45)	1.42 (36)
RG32MR-6S	.71 - .83 (18 - 21)	M32 x 1.5	1.26 (32)	.31 (8)	1.04 (26.5)	1.77 (45)	1.42 (36)

****Note: EMI Option Integrated**
 VDMA Riboflavin cleaning test passed
 EHEDG 01 cleaning test passed
 EHEDG certificate EL class I AUX approved

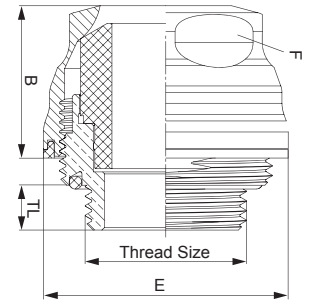


UL Certified!
IP 68 & IP 69K



Suggested Clearance Hole for Non-Threaded Mounting


RG GLAND
HYGIENIC DESIGN



- High pressure IP 68 & IP 69K
- EMI ready for braided cable
- 316 L Stainless Steel
- High-Quality silicone sealing
- UL Certified. File # 103997
- EMI ready for braided cable
- EHEDG Certified
- FDA Compliant Materials

316L Stainless Steel - Hygienic Cable Glands

FP Gland - Metric Threads

FP Gland							
Part Numbers	Cable Range	Thread Type & Size	Dimensions in Inches (mm)				
			A	TL	B	E	F
-40°F to 248°F (-40°C to 120°C)			Clearance Hole +.01" (+.25 mm)	Thread Length	Body Length	Hole Diameter	Wrench Flat
	Inches (mm)	See page 56 for thread specs					
FP12MA-6S	.14 - .26 (3.5 - 6.5)	M12 x 1.5	.47 (12)	.24 (6)	1.18 (30)	.83 (21)	.55 (14)
FP17MA-6S	.20 - .40 (5 - 10)	M16 x 1.5	.63 (16)	.24 (6)	1.34 (34)	1.06 (27)	.71 / .79 (18 / 20)
FP22MA-6S	.40 - .55 (10 - 14)	M20 x 1.5	.79 (20)	.24 (6)	1.36 (34.5)	1.30 (33)	.94 (24)
FP25MA-6S	.51 - .71 (13 - 18)	M25 x 1.5	.98 (25)	.28 (7)	1.63 (41.5)	1.50 (38)	1.06 / 1.18 (27 / 30)

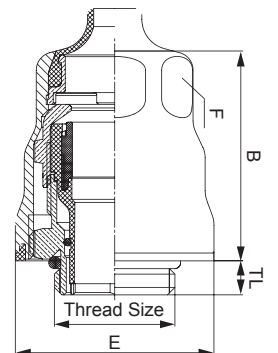


IP 68



Suggested Clearance Hole for Non-Threaded Mounting

FP GLAND
HYGIENIC DESIGN



- Perfect for Foam Cleaning
- EMI ready for braided cable
- No more waterpooling
- The elastic mebrane seal avoids cable slipping while also being liquid tight
- FDA Compliant material

For Material Specifications and Approval Information refer to page 52.