

2822366-1 ✓ ACTIVE

Econoseal

TE Internal #: 2822366-1

3 Position Housing, Housing for Female Terminals, Wire-to-Wire, 4.8 mm [.189 in] Centerline, Sealable, Black, Signal, Cable Mount (Free-Hanging)

[View on TE.com >](#)



Connectors > Automotive Connectors > Automotive Housings > ECONOSEAL, CONNECTOR HOUSING



Number of Positions: 3

Connector & Housing Type: **Housing for Female Terminals**

Mating Tab Width: 1.8 mm [.071 in]

Connector System: **Wire-to-Wire**

Centerline (Pitch): 4.8 mm [.189 in]

[All ECONOSEAL, CONNECTOR HOUSING \(59\)](#)

Features

Industry Standards

UL Flammability Rating	UL 94V-2
------------------------	----------

Dimensions

Product Width	17.3 mm [.681 in]
Product Length	25.4 mm [1 in]
Connector Height	28.6 mm [1.12 in]

Packaging Features

Packaging Method	Bag
Packaging Quantity	100

Mechanical Attachment

Strain Relief	Without
Terminal Position Assurance	No
Mating Alignment Type	Polarizing Slot



Mating Alignment	With
Connector Mounting Type	Cable Mount (Free-Hanging)

Body Features

Cable Exit Angle	180°
Primary Product Color	Black

Housing Features

Housing Material	PBT
Centerline (Pitch)	4.8 mm [.189 in]

Contact Features

Contact Size	1.8mm
Contact Type	Receptacle
Mating Tab Width	1.8 mm [.071 in]

Product Type Features

Mixed & Hybrid Connector	No
Connector Shape	Rectangular
Connector & Housing Type	Housing for Female Terminals
Connector System	Wire-to-Wire
Sealable	Yes
Primary Locking Feature	Integrated in Housing

Configuration Features

Number of Positions	3
Number of Rows	1

Usage Conditions

Operating Temperature (Max)	80 °C, 105 °C, 100 °C, 90 °C, 85 °C, 75 °C, 70 °C [221 °F] [167 °F] [158 °F] [176 °F] [194 °F] [185 °F] [212 °F]
Operating Temperature Range	-30 – 105 °C [-22 – 221 °F]

Operation/Application

Circuit Application	Signal
---------------------	--------

Other

Connector Position Assurance Capable	No
EU RoHS Compliance	Compliant



EU ELV Compliance	Compliant
-------------------	-----------

Product Compliance

[For compliance documentation, visit the product page on TE.com>](#)

EU RoHS Directive 2011/65/EU	Compliant
EU ELV Directive 2000/53/EC	Compliant
China RoHS 2 Directive MIIT Order No 32, 2016	No Restricted Materials Above Threshold
EU REACH Regulation (EC) No. 1907/2006	Current ECHA Candidate List: JUNE 2024 (241) Candidate List Declared Against: JUNE 2024 (241) Does not contain REACH SVHC
Halogen Content	Low Halogen - Br, Cl, F, I < 900 ppm per homogenous material. Also BFR/CFR/PVC Free
Solder Process Capability	Not applicable for solder process capability

Product Compliance Disclaimer

This information is provided based on reasonable inquiry of our suppliers and represents our current actual knowledge based on the information they provided. This information is subject to change. The part numbers that TE has identified as EU RoHS compliant have a maximum concentration of 0.1% by weight in homogenous materials for lead, hexavalent chromium, mercury, PBB, PBDE, DBP, BBP, DEHP, DIBP, and 0.01% for cadmium, or qualify for an exemption to these limits as defined in the Annexes of Directive 2011/65/EU (RoHS2). Finished electrical and electronic equipment products will be CE marked as required by Directive 2011/65/EU. Components may not be CE marked. Additionally, the part numbers that TE has identified as EU ELV compliant have a maximum concentration of 0.1% by weight in homogenous materials for lead, hexavalent chromium, and mercury, and 0.01% for cadmium, or qualify for an exemption to these limits as defined in the Annexes of Directive 2000/53/EC (ELV). Regarding the REACH Regulation, the information TE provides on SVHC in articles for this part number is based on the latest European Chemicals Agency (ECHA) 'Guidance on requirements for substances in articles' posted at this URL: <https://echa.europa.eu/guidance-documents/guidance-on-reach>

Compatible Parts



Customers Also Bought



TE Part #CAT-EC7491-CH8172
ECONOSEAL, CONNECTOR
HOUSING



TE Part #322227
TERMINAL,SOLIS R 4/0 5/8



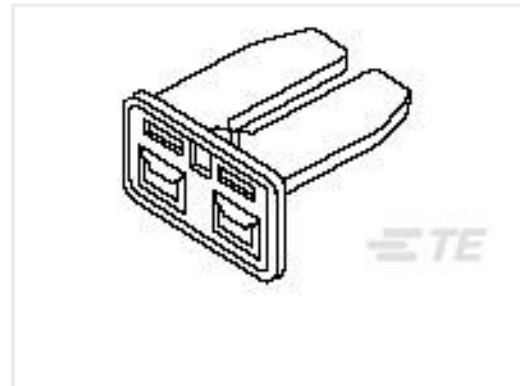
TE Part #CAT-T319-CH8172
TH/.025 CONNECTOR SYSTEM,
HOUSING



TE Part #636901P004
QS1500-NO.3-F7-0-30MM



TE Part #2-35135-2
TERMINAL,SOLIS R 12-10 1/2



TE Part #1-174358-1
E-J MK-2 PLUG HSG 3P NATURAL



TE Part #173065-2
0.07 ECONOSEAL 3P CAP



TE Part #2-967167-6
MQS ST-GEH ASSY 3P

Documents

Product Drawings

[.070 ECONOSEAL PLUG ASSY 3P](#)

Japanese

CAD Files

[3D PDF](#)

3D

Customer View Model

[ENG_CVM_CVM_2822366-1_A.2d_dxf.zip](#)

English

Customer View Model

[ENG_CVM_CVM_2822366-1_A.3d_igs.zip](#)

English

Customer View Model

[ENG_CVM_CVM_2822366-1_A.3d_stp.zip](#)

English

By downloading the CAD file I accept and agree to the [Terms and Conditions](#) of use.

Datasheets & Catalog Pages

[Econoseal Connector Series](#)

English

Product Specifications

[Product Specification](#)

Japanese