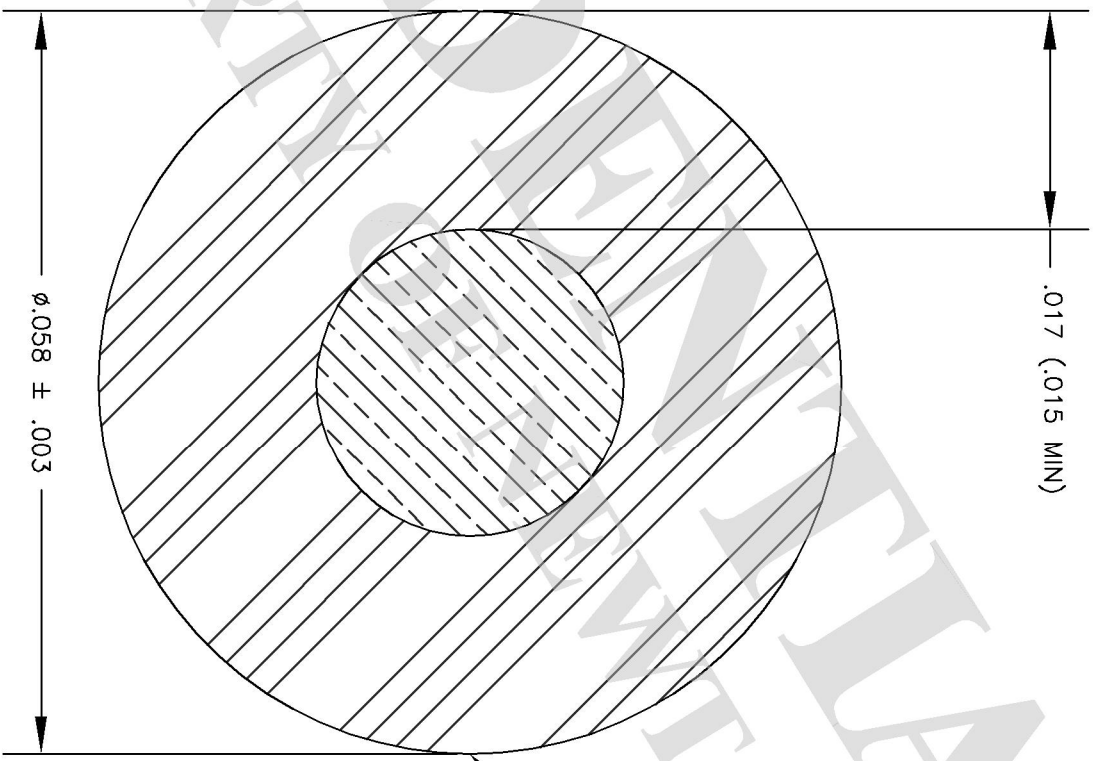


DRAWING #: 10007623C-NE SHEET: 1 NEW PART: N26-36T-254-R1-3UL

REV. -	DCN # -	DESCRIPTION: INITIAL RELEASE	BY: RT	DATE: 06/20/2017
--------	---------	------------------------------	--------	------------------

### REVISIONS

24 AWG SINGLE:  
 24 AWG 19/36 TINNED COPPER  
 0.017" (0.015" MIN) SILICONE RUBBER TO 0.058" +/- 0.003"  
 OD - RED  
 UL AWM 3132 150C 300V



ACTUAL SIZE

24 AWG SINGLE

NEW ENGLAND WIRE TECHNOLOGIES

PROD. DRAWN BY: R. TRAHAN  
 DRAWING #: 10007623C-NE

ENG. ALL DIMENSIONS ARE IN INCHES UNLESS OTHERWISE SPECIFIED

THE ENTIRE INFORMATION CONTAINED HEREON IS THE PROPERTY OF NEW ENGLAND WIRE TECHNOLOGIES CORPORATION IN LISBON, NH AND MAY NOT BE REPRODUCED OR USED WITHOUT PERMISSION OF NEW ENGLAND WIRE TECHNOLOGIES CORPORATION, 130 NORTH MAIN STREET, LISBON, NEW HAMPSHIRE 03585

NEW ENGLAND WIRE TECHNOLOGIES	NEW ENGLAND WIRE TECHNOLOGIES	NEW ENGLAND WIRE TECHNOLOGIES	NEW ENGLAND WIRE TECHNOLOGIES	NEW ENGLAND WIRE TECHNOLOGIES
74116	NONE	DO NOT SCALE PRINTS	A	1
74116	NONE	DO NOT SCALE PRINTS	A	1
74116	NONE	DO NOT SCALE PRINTS	A	1