



(INT+43 1/ NAT 01)
TEL 360 20 - 0 / FAX - 1234
A-1194 VIENNA, P.O. BOX 2

GG-CONSTRUCTION MODEL

-FOR GUIDANCE PURPOSES ONLY, SPECIFICATIONS ARE SUBJECT TO CHANGE-

X 8898

GG-STANDARD

E1

ISSUE

1. DESIGN DATA

- 1.1 CONDUCTOR** : Nominal cross section area 0.85mm^2 ,
bare copper wires (19 wires, max. $\varnothing 0.25\text{mm}$),
material Cu-ETP1-A019-P according to DIN EN 13602,
- 1.2 INSULATION** : PVC,
Shore D 53 ± 5 according to DIN 53505,
measurements according to ISO 6722-1,
requirements according to ISO 6722-1, class B,
colours: according to customers order.
- 1.3 ARRANGEMENT** : 2 cores parallel.
- 1.4 PARTING COMPOUND** : GG-special parting compound.
- 1.5 SHEATH** : PVC,
Shore A 89 ± 5 according to DIN 53505,
requirements according to ISO 14572, class B,
colour: bk.

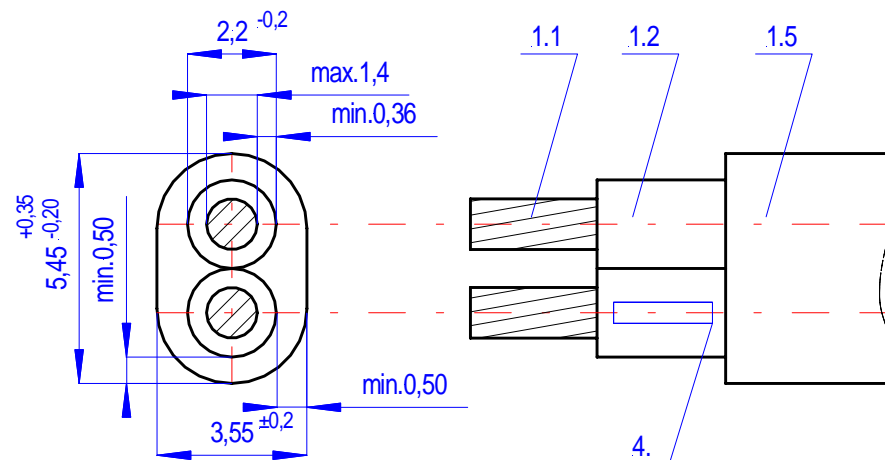
2. CHARACTERISTICS

- 2.1 MAX. CONDUCTOR RESISTANCE** : $22.1 \Omega/\text{km}$ at 20°C .
- 2.2 TEST VOLTAGE (50Hz)** : 5.0 kV .
- 2.3 OPERATION TEMPERATURE** : -40°C to $+105^\circ\text{C}$ / 3000h.

- 3. WEIGHT** : approx. 40 g/m .

- 4. IDENTIFICATION** : Mmanufacturer's name printed on insulation (distance $\geq 200\text{mm}$).

- 5. DELIVERY MAKE-UP** : On coils MF (500mm flange- \varnothing) with regular-length 3.0km,
sub-lengths allowed, minimum-length 100m.



2-core, unscreened flat cable.

Typ FLFYYW 2x0,85(0,24) /T105

GG-PART No.
139087

DESIGNED
STRASSER

CHECKED
KLEEDORFER

DATE
08.06.2016

EXTERNAL SPECIFICATION
-

PAGE
1 of 1