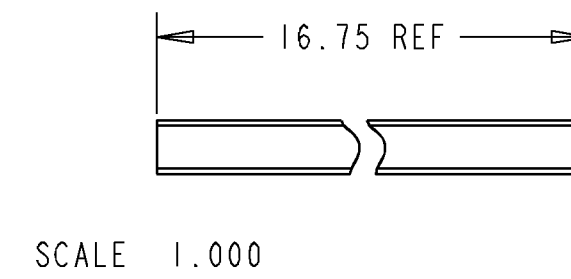
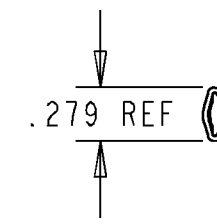
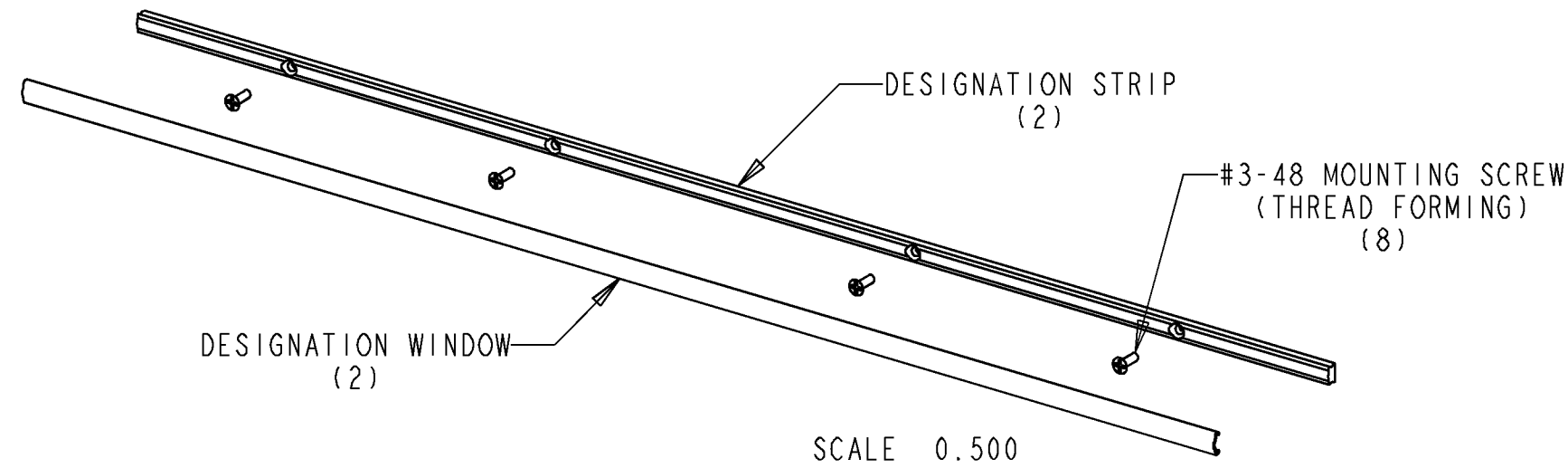


| REV | MCO      | DWN | DATE      |
|-----|----------|-----|-----------|
| C   | 20142011 | DRS | 06-MAR-03 |
| D   | 20198363 | BBH | 18-JUL-06 |

**NOTE:**

THIS KIT CONTAINS:  
 (2) DESIGNATION STRIPS,  
 (2) DESIGNATION WINDOWS,  
 (8) MOUNTING SCREWS

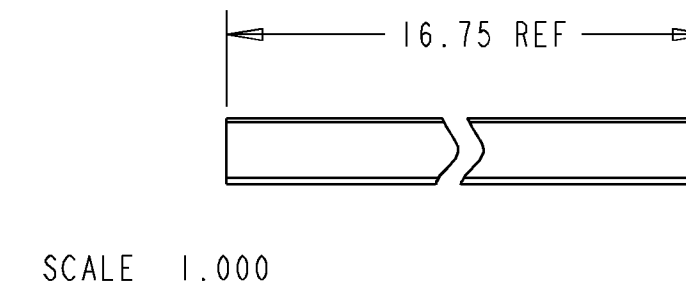
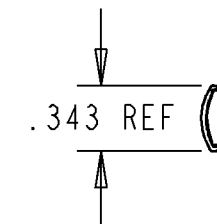
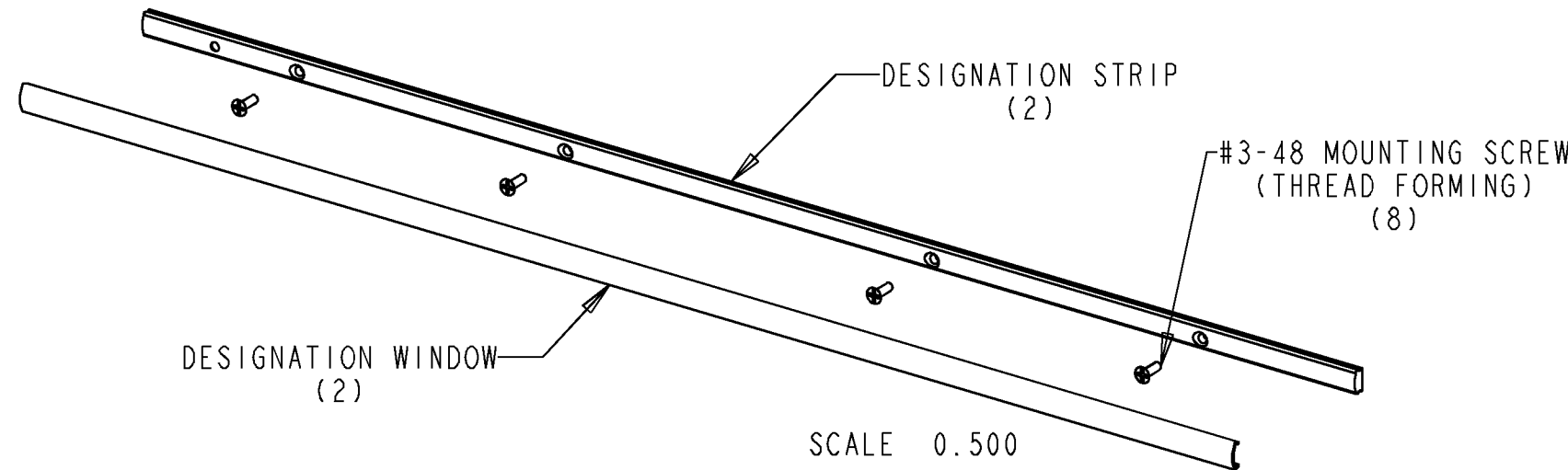


RECOMMENDED CUT SIZE  
 FOR DESIGNATION CARD:  
 16.75" X .200"

CATALOG # VP-DES-279-A

**NOTE:**

THIS KIT CONTAINS:  
 (2) DESIGNATION STRIPS,  
 (2) DESIGNATION WINDOWS,  
 (8) MOUNTING SCREWS

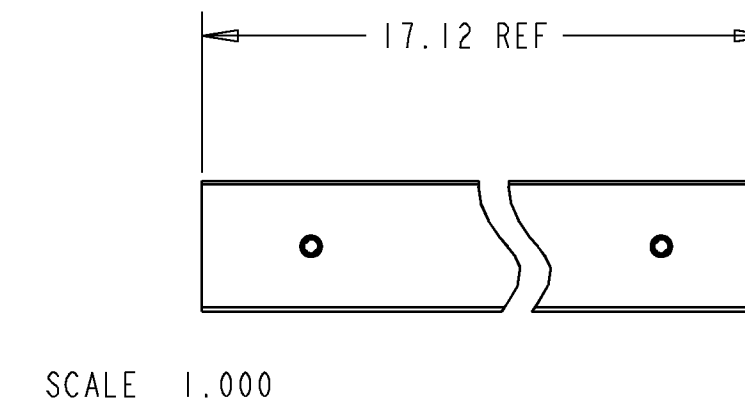
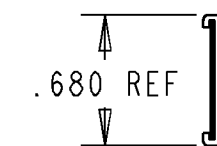
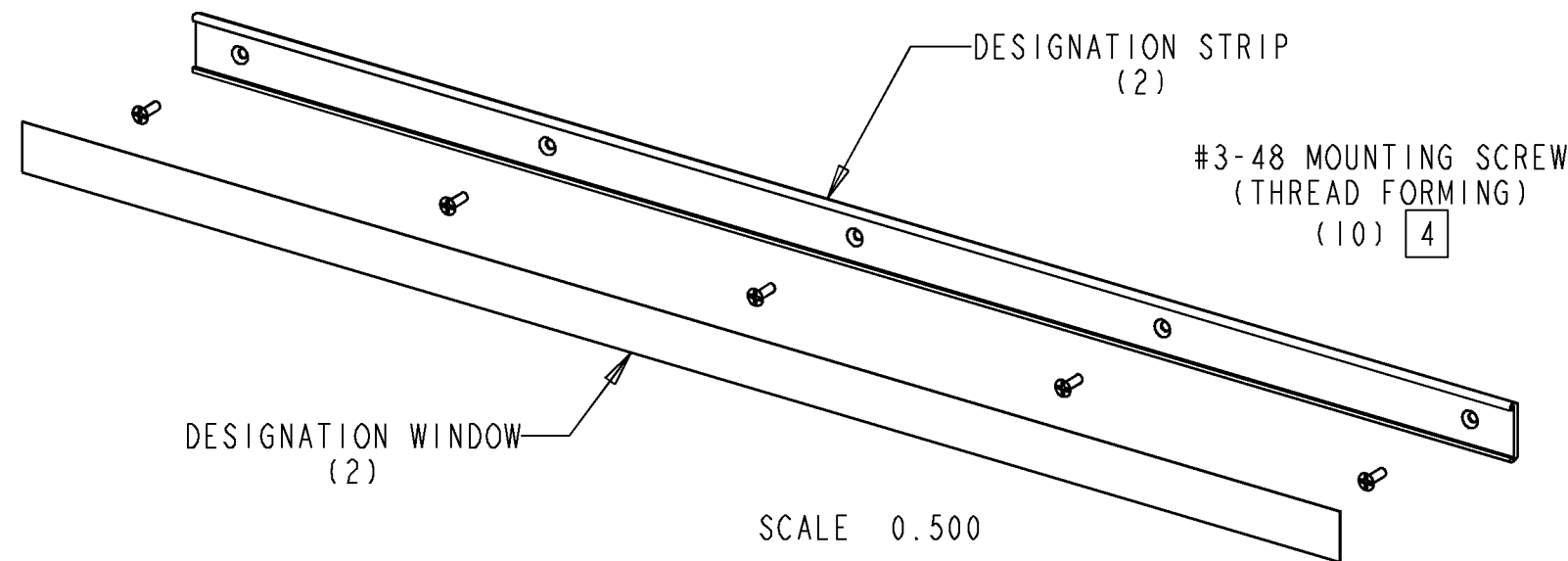


RECOMMENDED CUT SIZE  
 FOR DESIGNATION CARD:  
 16.75" X .275"

CATALOG # VP-DES-343-A

**NOTE:**

THIS KIT CONTAINS:  
 (2) DESIGNATION STRIP,  
 (2) DESIGNATION WINDOW,  
 (10) MOUNTING SCREWS

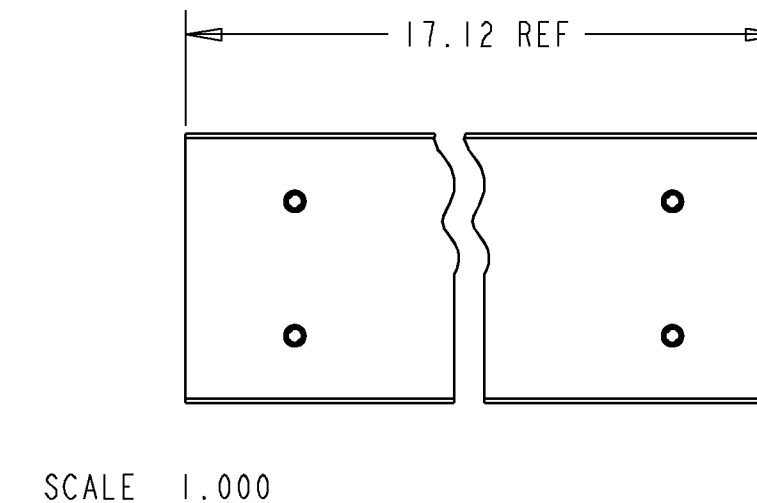
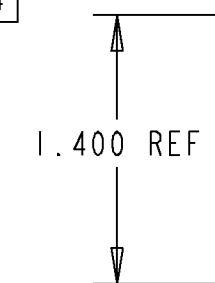
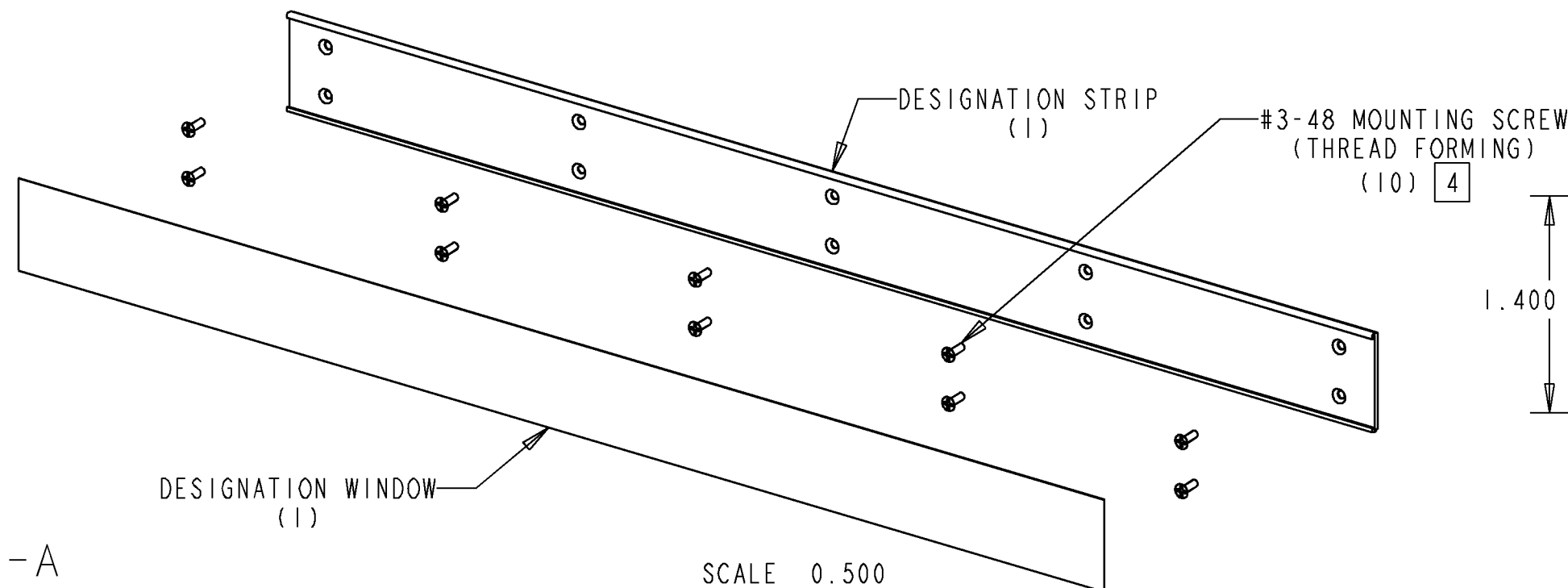


RECOMMENDED CUT SIZE  
 FOR DESIGNATION CARD:  
 16.75" X .60"

CATALOG # VP-DES-680-A

**NOTE:**

THIS KIT CONTAINS:  
 (1) DESIGNATION STRIPS,  
 (1) DESIGNATION WINDOWS,  
 (10) MOUNTING SCREWS



RECOMMENDED CUT SIZE  
 FOR DESIGNATION CARD:  
 16.75" X 1.32"

CATALOG # VP-DES-1400-A

**NOTES:**

1. (1) COPY OF THIS DRAWING IS INCLUDED WITH EACH SHIPMENT OF KITS.



INFORMATION ON THIS DOCUMENT IS PROPRIETARY TO ADC AND SHALL NOT BE USED, COPIED, REPRODUCED OR DISCLOSED IN WHOLE OR IN PART WITHOUT WRITTEN CONSENT OF ADC.

ALL DIMS AND TOLERANCES ARE INCHES UNLESS OTHERWISE SPECIFIED

DO NOT SCALE DRAWING

TITLE DESIGNATION STRIP KITS, PATCH PANELS, BROADCAST, INSTALLATION DRAWING

DRAWING NUMBER 1256941

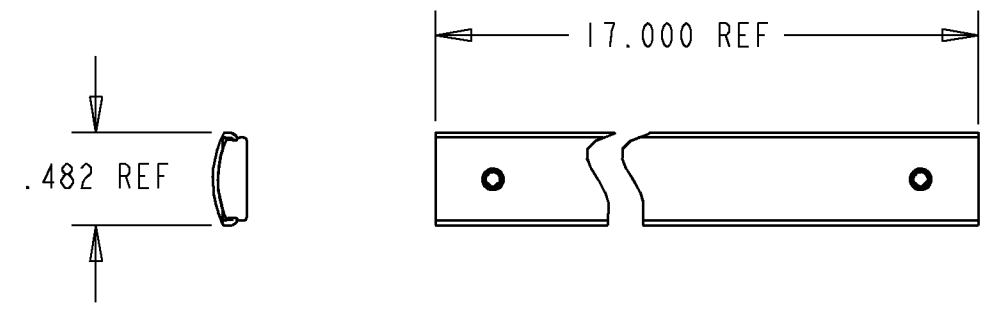
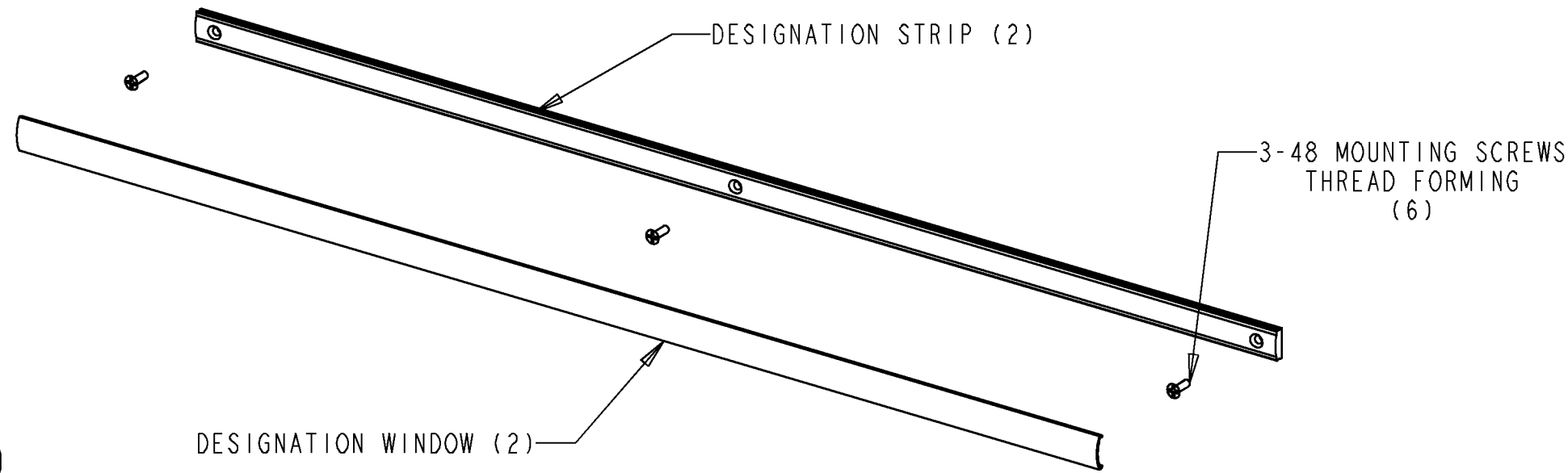
ENGR: KEN SKLUZACEK  
 DWN: R. DEMULLING

SHT. 1 OF 7

DIMENSIONS IN INCHES  
 THIRD ANGLE PROJECTION

**NOTE:**

THIS KIT CONTAINS:  
(2) DESIGNATION STRIPS,  
(2) DESIGNATION WINDOWS,  
(6) MOUNTING SCREWS



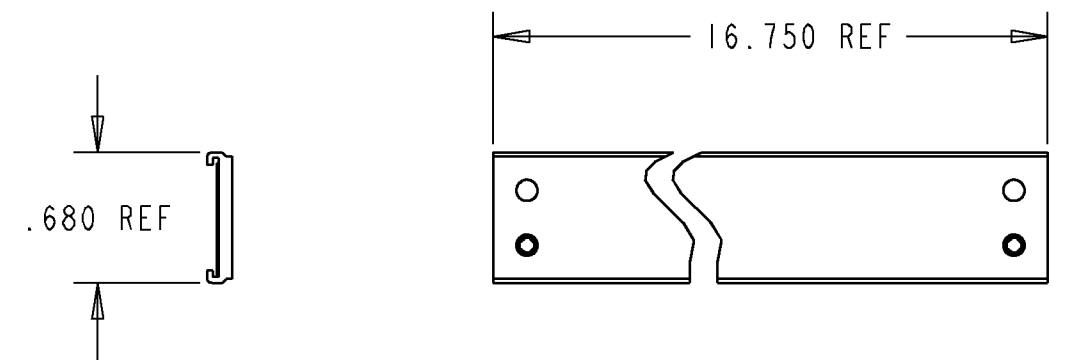
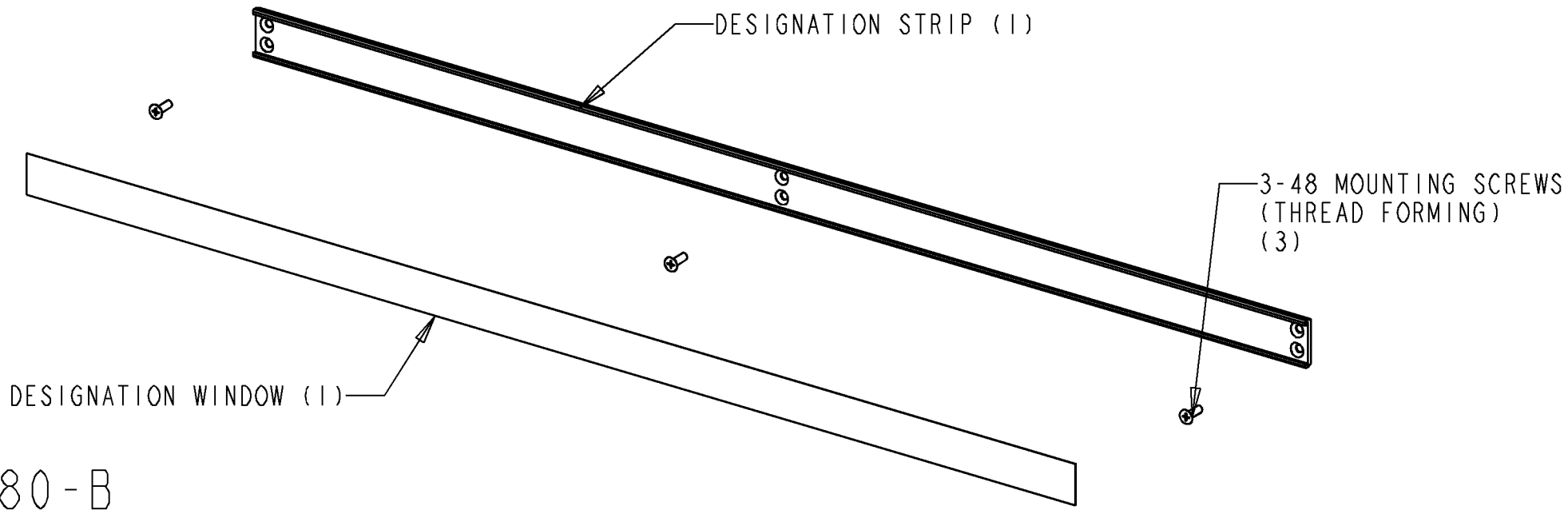
SCALE 1.000

RECOMMENDED CUT SIZE  
FOR DESIGNATION CARD  
17.00 X .40

CATALOG # VP-DES-440

**NOTE:**

THIS KIT CONTAINS:  
(1) DESIGNATION STRIPS,  
(1) DESIGNATION WINDOWS,  
(3) MOUNTING SCREWS



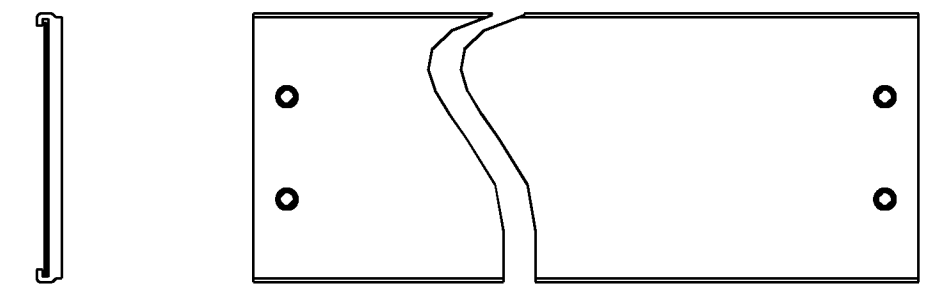
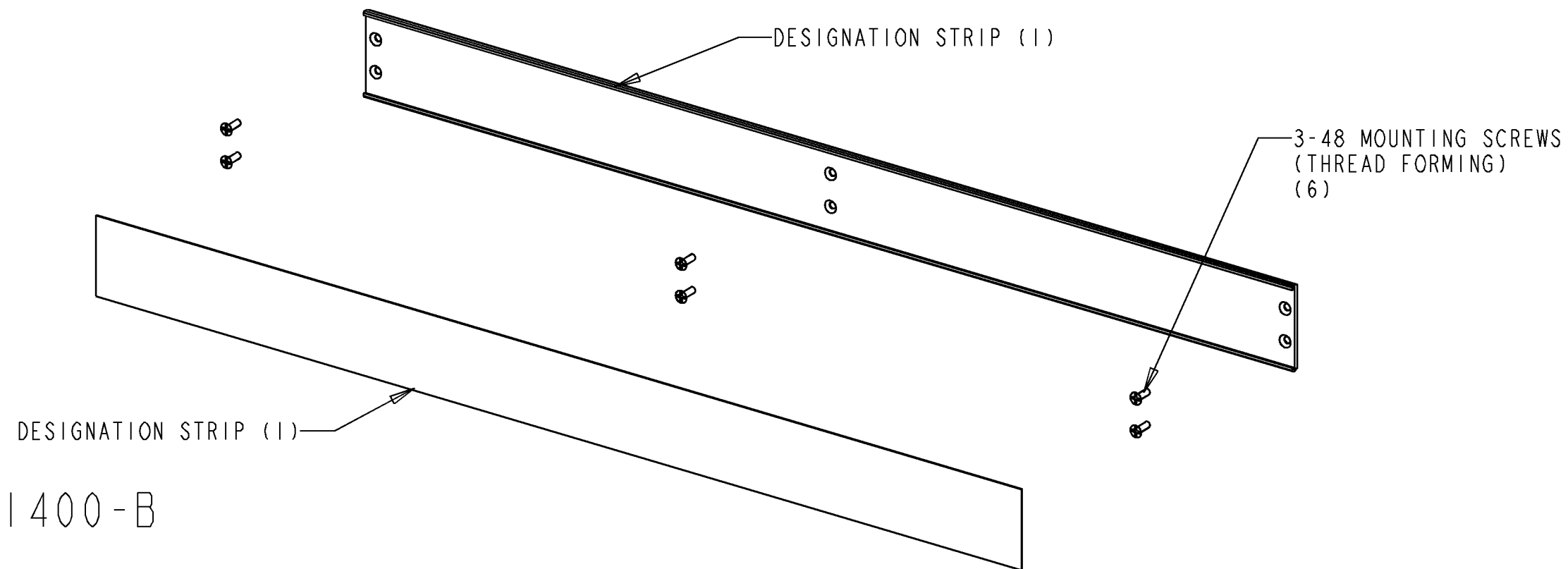
SCALE 1.000

RECOMMENDED CUT SIZE  
FOR DESIGNATION CARD  
16.75 X .60

CATALOG # VP-DES-680-B

**NOTE:**

THIS KIT CONTAINS:  
(1) DESIGNATION STRIPS,  
(1) DESIGNATION WINDOWS,  
(6) MOUNTING SCREWS



SCALE 1.000

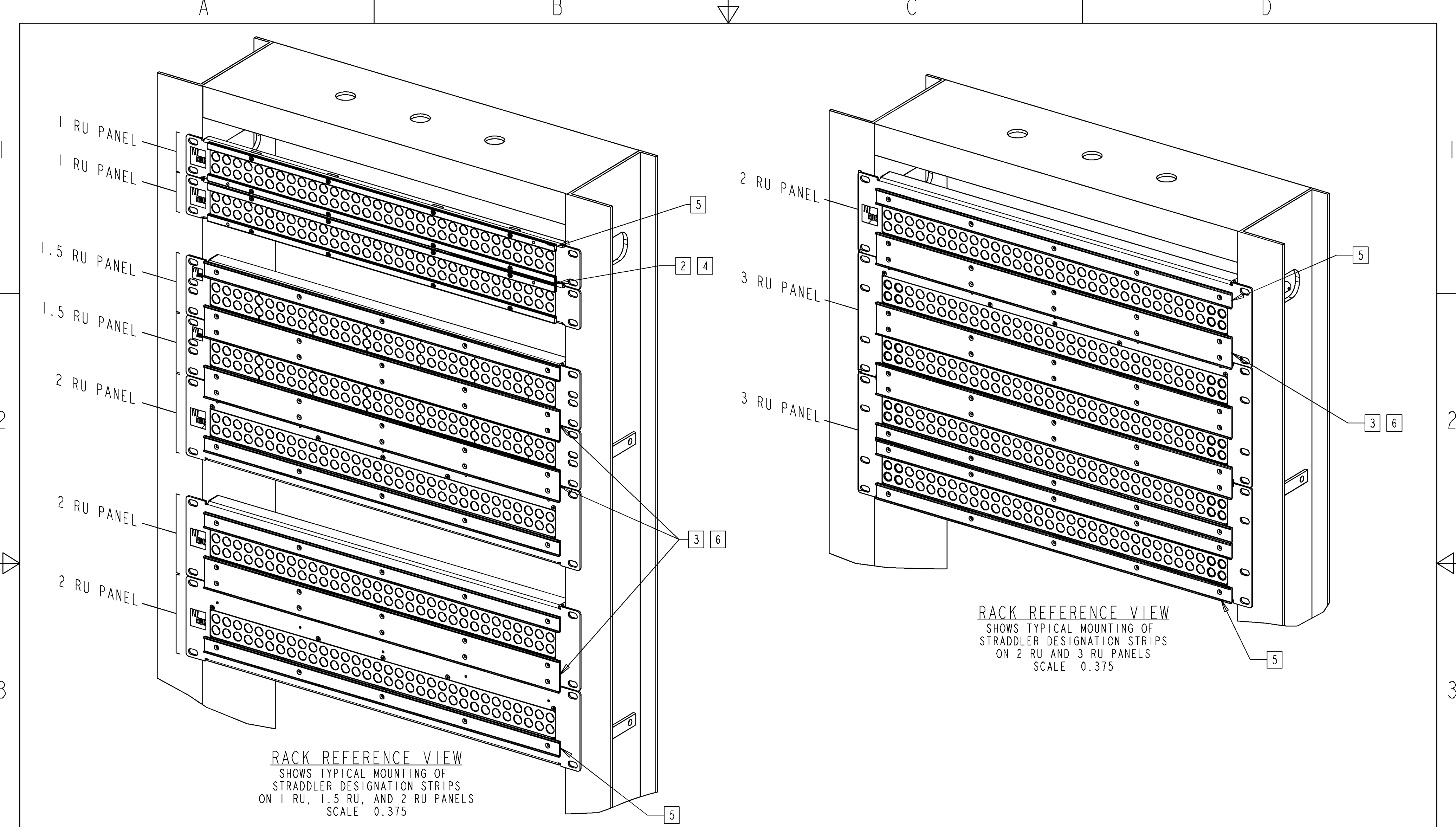
RECOMMENDED CUT SIZE  
FOR DESIGNATION CARD  
16.75 X 1.33

CATALOG # VP-DES-1400-B



|   |  |  |             |
|---|--|--|-------------|
| INFORMATION ON THIS DOCUMENT IS PROPRIETARY TO ADC AND SHALL NOT BE USED, COPIED, REPRODUCED OR DISCLOSED IN WHOLE OR IN PART WITHOUT WRITTEN CONSENT OF ADC. |  | TITLE<br>DESIGNATION STRIP KITS,<br>PATCH PANELS, BROADCAST,<br>INSTALLATION DRAWING |             |
| ALL DIMS AND TOLERANCES ARE INCHES UNLESS OTHERWISE SPECIFIED   | .XX:±REF<br>.XXX:±REF<br>ANGULAR:±REF    | C<br>SIZE  | D<br>REV    |
| DO NOT SCALE DRAWING  | ENGR: KEN SKLUZACEK<br>DWN: R. DEMULLING | DRAWING NUMBER<br>1256941  | SHT. 2 OF 7 |

DIMENSIONS IN INCHES  
THIRD ANGLE PROJECTION



**RACK REFERENCE VIEW**  
 SHOWS TYPICAL MOUNTING OF  
 STRADDLER DESIGNATION STRIPS  
 ON 1 RU, 1.5 RU, AND 2 RU PANELS  
 SCALE 0.375

**RACK REFERENCE VIEW**  
 SHOWS TYPICAL MOUNTING OF  
 STRADDLER DESIGNATION STRIPS  
 ON 2 RU AND 3 RU PANELS  
 SCALE 0.375

**NOTES:**

- [2] VP-DES-680-A IS DESIGNED TO STRADDLE TWO ADJACENT MID SIZE 1 RU PANELS AS SHOWN (IT WILL NOT WORK FOR STANDARD SIZE 1 RU PANELS). PLEASE NOTE: VP-DES-680-A IS ALSO USED FOR NON-STRADDLING APPLICATIONS OF 1.5, 2 AND 3 RU PANELS. FOR THESE APPLICATIONS MORE THAN ONE KIT MAY NEED TO BE PURCHASED.
- [3] VP-DES-1400-A IS DESIGNED TO STRADDLE TWO ADJACENT 1.5 RU PANELS, TWO ADJACENT 2 RU PANELS, TWO ADJACENT 3 RU PANELS, OR ADJACENT 1.5, 2, AND 3 RU PANELS AS SHOWN. VP-DES-1400-A CAN ALSO BE USED AS THE CENTER DESIGNATION FOR THE 3 RU.
- [4] ALTHOUGH STRADDLING DESIGNATION KITS INCLUDE (8) MOUNTING SCREWS PER KIT AND 8 MOUNTING HOLES PER DESIGNATION, 4 SCREWS PLACED IN A LINE ON EITHER THE TOP OR THE BOTTOM ROW IS SUFFICIENT FOR MOUNTING IF REQUIRED.

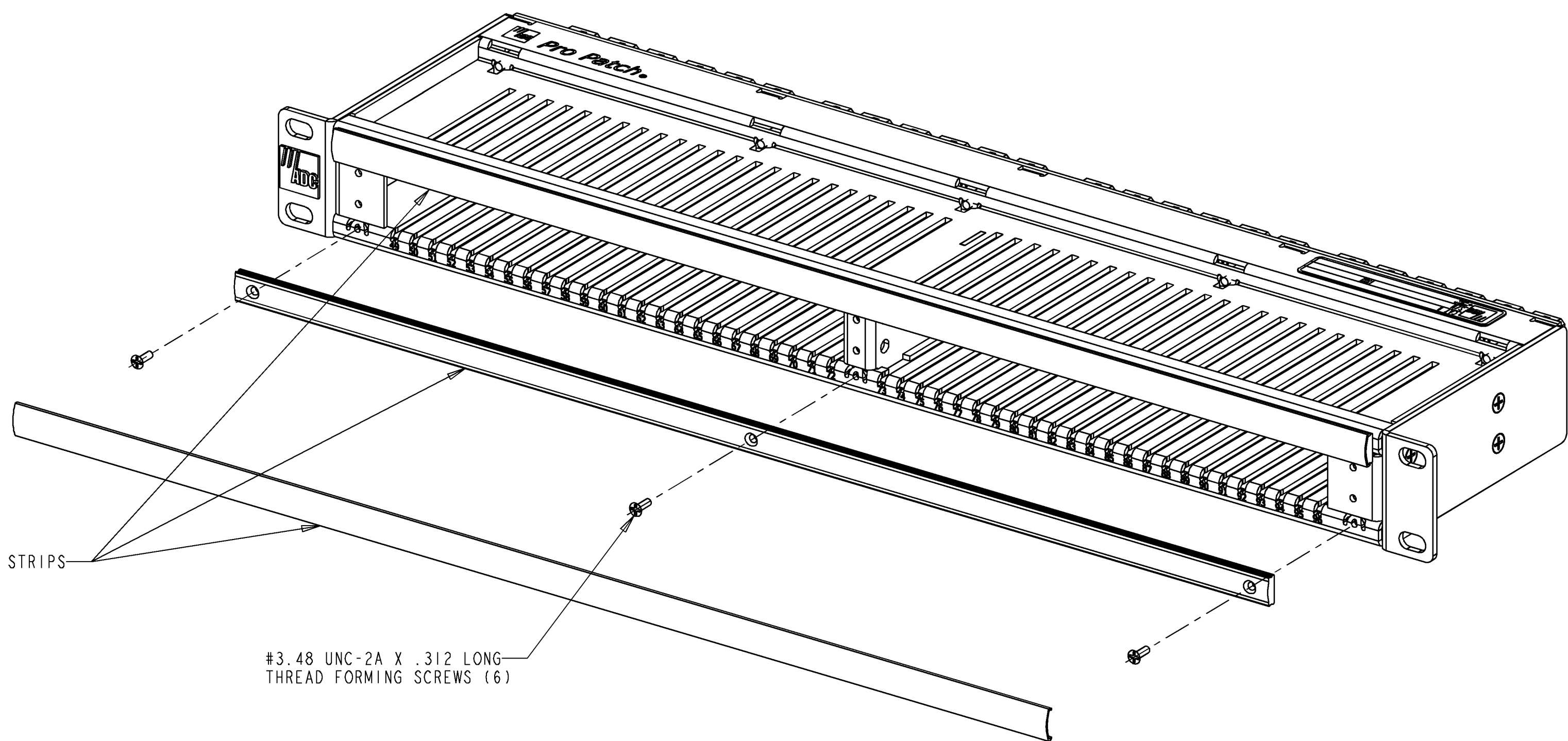
- [5] WHEN STRADDLING DESIGNATIONS ARE USED, THE TOP AND BOTTOM DESIGNATION PER RACK OF PANELS WILL USE THE FOLLOWING KITS:  
 FOR 1 RU MID SIZE PANELS, USE VP-DES-343-A.  
 FOR 1.5 RU, 2 RU AND 3 RU PANELS, USE VP-DES-680-A.
- [6] ALTHOUGH STRADDLING DESIGNATION KITS INCLUDE (10) MOUNTING SCREWS PER KIT AND 10 MOUNTING HOLES PER DESIGNATION, 5 SCREWS PLACED IN A LINE ON EITHER THE TOP OR THE BOTTOM ROW IS SUFFICIENT FOR MOUNTING IF REQUIRED.



|   |                                       |   |                        |
|---|---------------------------------------|---|------------------------|
| INFORMATION ON THIS DOCUMENT IS PROPRIETARY TO ADC AND SHALL NOT BE USED, COPIED, REPRODUCED OR DISCLOSED IN WHOLE OR IN PART WITHOUT WRITTEN CONSENT OF ADC. |                                       | TITLE DESIGNATION STRIP KITS, PATCH PANELS, BROADCAST, INSTALLATION DRAWING |                        |
| ALL DIMS AND TOLERANCES ARE INCHES UNLESS OTHERWISE SPECIFIED   | .XX:±REF<br>.XXX:±REF<br>ANGULAR:±REF | C SIZE  | DRAWING NUMBER 1256941 |
| DO NOT SCALE DRAWING  |                                       | ENGR: KEN SKLUZACEK<br>DWN: R. DEMULLING                                    | D REV                  |
|   |                                       |   | SHT. 3 OF 7            |

**DIMENSIONS IN INCHES  
 THIRD ANGLE PROJECTION**

A B C D



DESIGNATION STRIPS AND WINDOWS

#3.48 UNC-2A X .312 LONG  
THREAD FORMING SCREWS (6)

**CUSTOMER NOTES:**

1. THIS KIT INCLUDES:  
 (2) DESIGNATION STRIPS  
 (2) DESIGNATION WINDOWS  
 (6) SCREWS, #3-48 UNC-2A X .312 LONG
2. ASSEMBLE DESIGNATION STRIPS USING 3-48 SCREWS TO PANEL AS SHOWN.
3. INSERT DESIGNATION CARDS (NOT INCLUDED WITH KIT) IN WINDOWS.
4. ATTACH DESIGNATION WINDOWS TO STRIPS.

**CATALOG #: VP-DES-440**



|  |                                       |   |                           |
|--|---------------------------------------|---|---------------------------|
| INFORMATION ON THIS DOCUMENT IS PROPRIETARY TO ADC AND SHALL NOT BE USED, COPIED, REPRODUCED, OR DISCLOSED IN WHOLE OR IN PART WITHOUT WRITTEN CONSENT OF ADC. |                                       | TITLE DESIGNATION STRIP KITS, PATCH PANELS, BROADCAST, INSTALLATION DRAWING |                           |
| ALL DIMS AND TOLERANCES ARE INCHES UNLESS OTHERWISE SPECIFIED  | .XX:±REF<br>.XXX:±REF<br>ANGULAR:±REF | C<br>SIZE   | DRAWING NUMBER<br>1256941 |
| DO NOT SCALE DRAWING   |                                       | ENGR: KEN SKLUZACEK<br>DWN: R. DEMULLING                                    | SHT. 4 OF 7               |

A B C D DIMENSIONS IN INCHES  
THIRD ANGLE PROJECTION

A

B

C

D

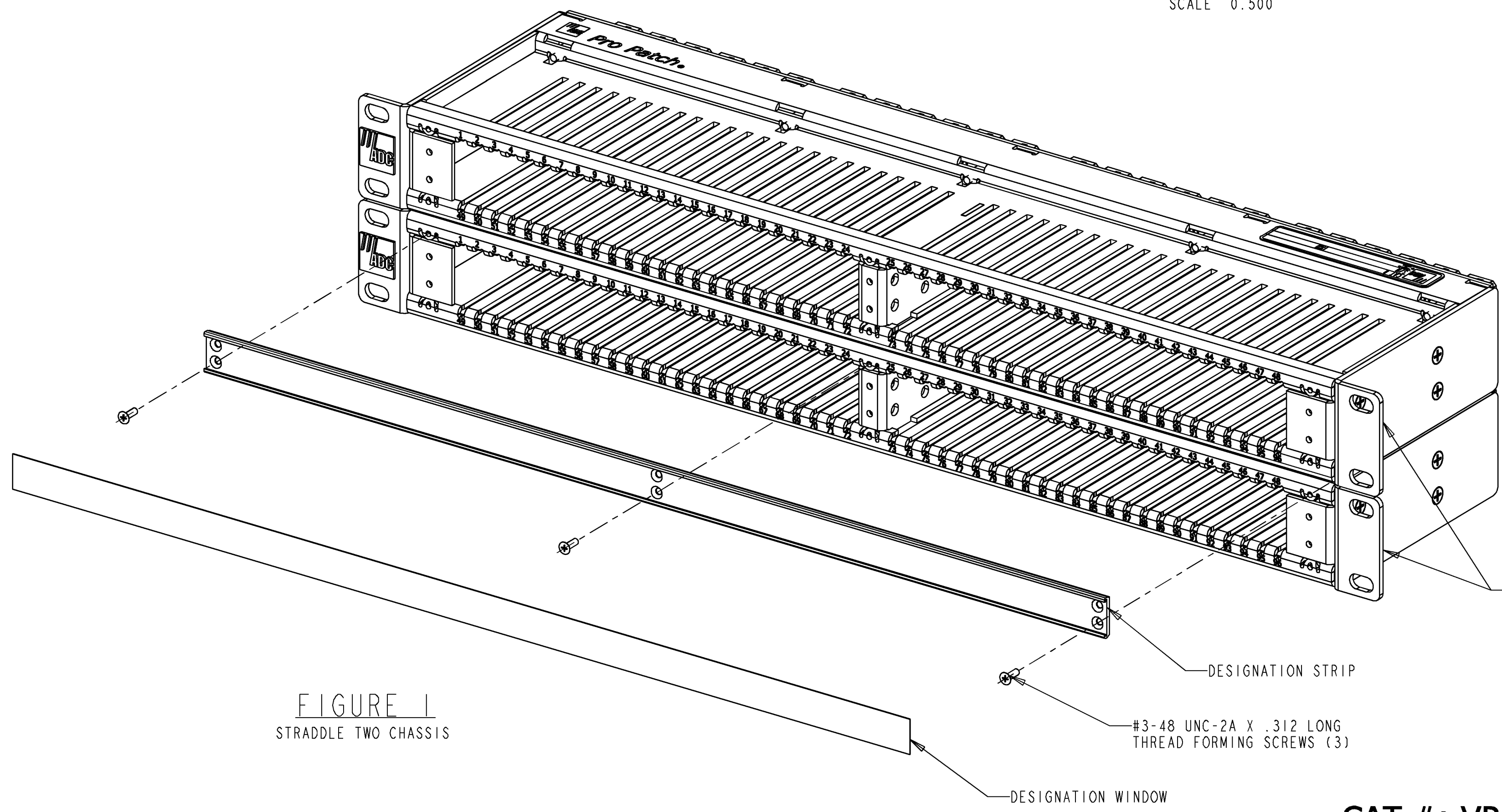
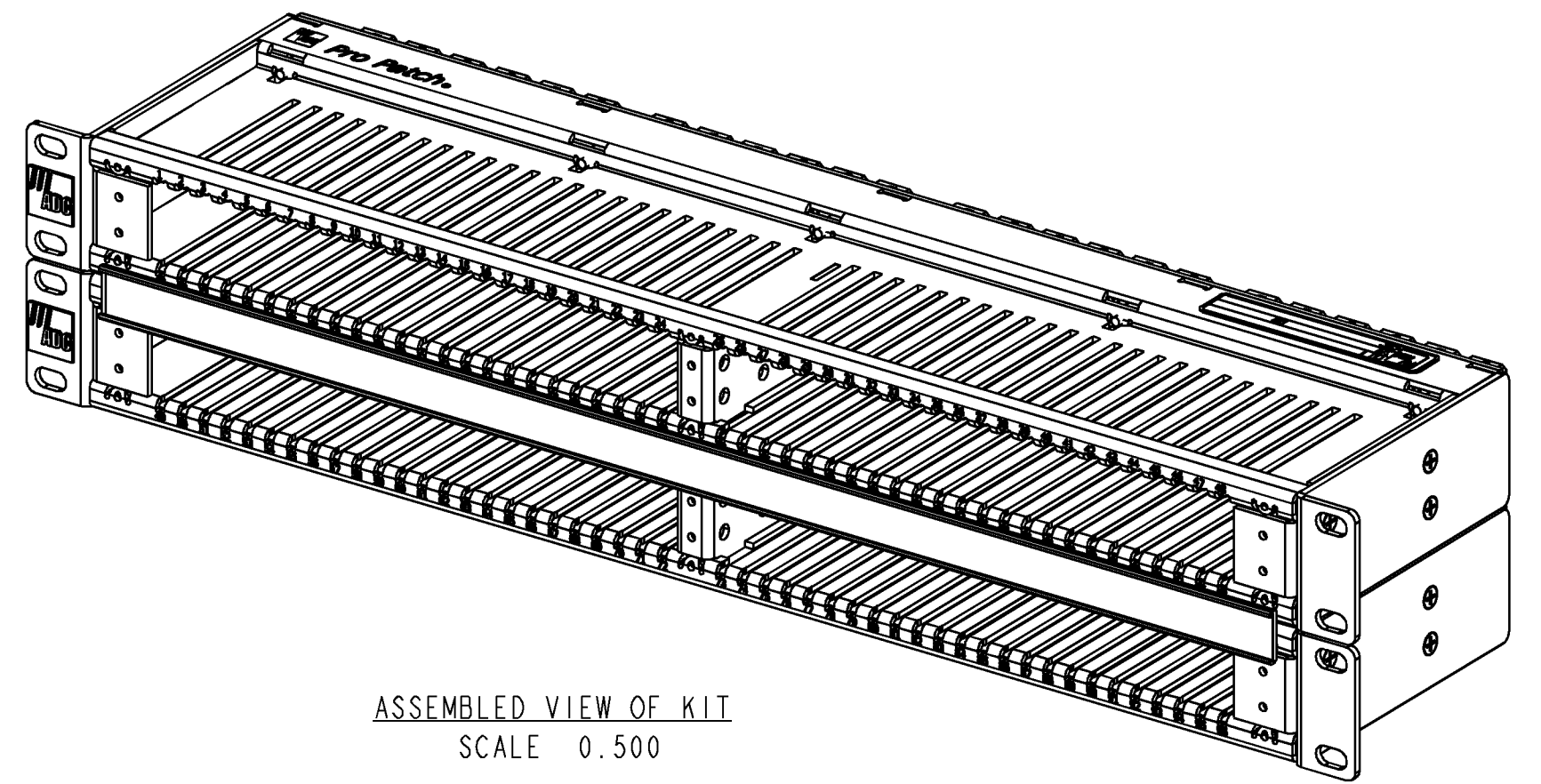


FIGURE 1  
STRADDLE TWO CHASSIS

**CUSTOMER NOTES:**

- 1. ITEMS INCLUDED WITH KIT:
  - (1) DESIGNATION STRIP
  - (1) DESIGNATION WINDOW
  - (3) SCREWS #3-48 UNC-2A X .312

**CAT #: VP-DES-680-B**



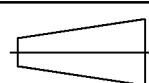
|   |  |  |                           |
|---|--|--|---------------------------|
| INFORMATION ON THIS DOCUMENT IS PROPRIETARY TO ADC AND SHALL NOT BE USED, COPIED, REPRODUCED OR DISCLOSED IN WHOLE OR IN PART WITHOUT WRITTEN CONSENT OF ADC. |  | TITLE<br>DESIGNATION STRIP KITS, PATCH PANELS, BROADCAST, INSTALLATION DRAWING |                           |
| ALL DIMS AND TOLERANCES ARE INCHES UNLESS OTHERWISE SPECIFIED   | .XX:±REF<br>.XXX:±REF<br>ANGULAR:±REF    | C<br>SIZE  | DRAWING NUMBER<br>1256941 |
| DO NOT SCALE DRAWING  | ENGR: KEN SKLUZACEK<br>DWN: R. DEMULLING | D<br>REV   |                           |
|   |  | SHT. 5 OF 7  |                           |

**DIMENSIONS IN INCHES  
THIRD ANGLE PROJECTION**

A

B

C



4

3

2

1

4

3

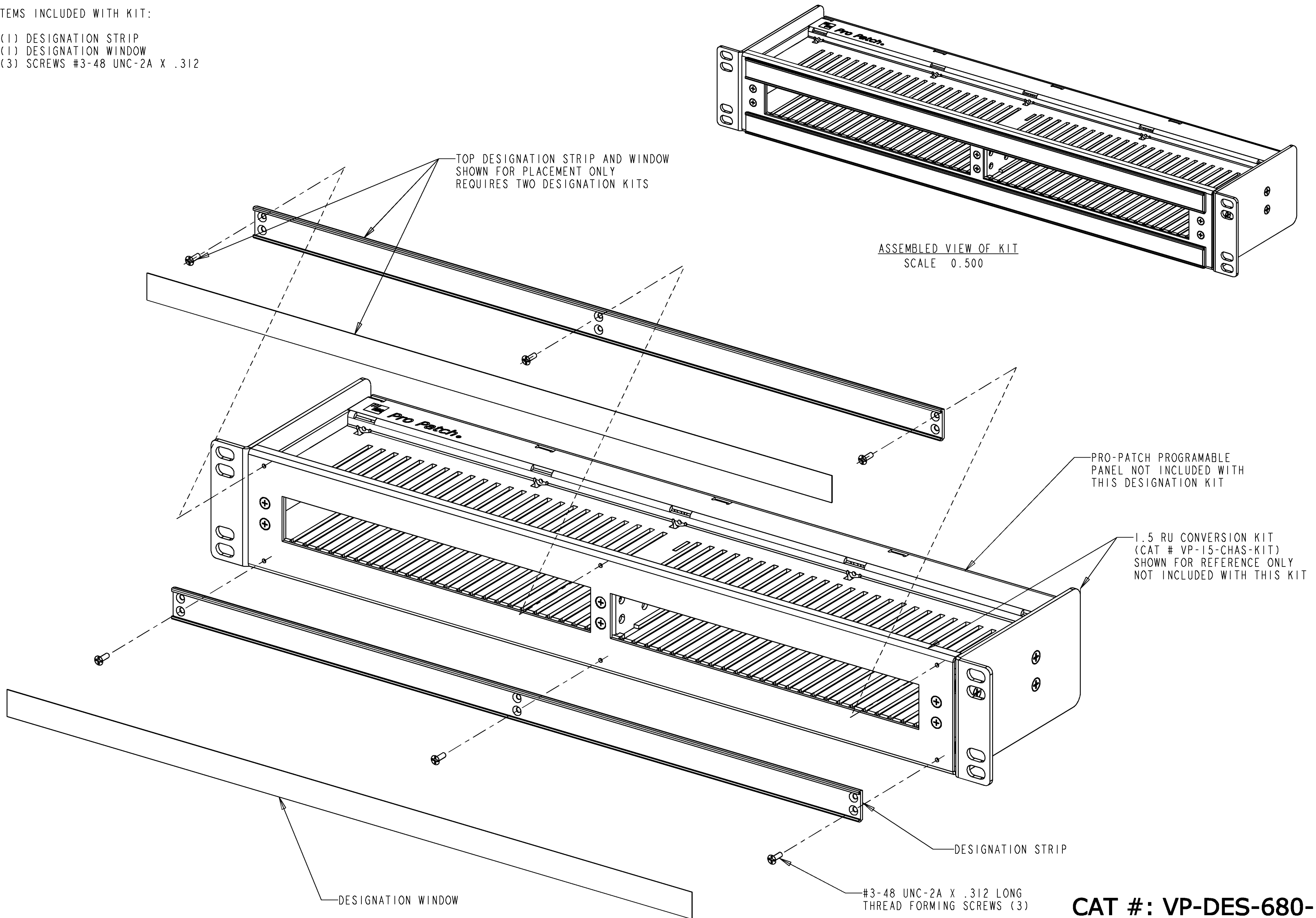
2

1

**CUSTOMER NOTES:**

I. ITEMS INCLUDED WITH KIT:

- (1) DESIGNATION STRIP
- (1) DESIGNATION WINDOW
- (3) SCREWS #3-48 UNC-2A X .312



**FIGURE 2**  
1.5 RU CONVERSION KIT  
REQUIRES TWO DESIGNATION STRIP KITS

**CAT #: VP-DES-680-B**



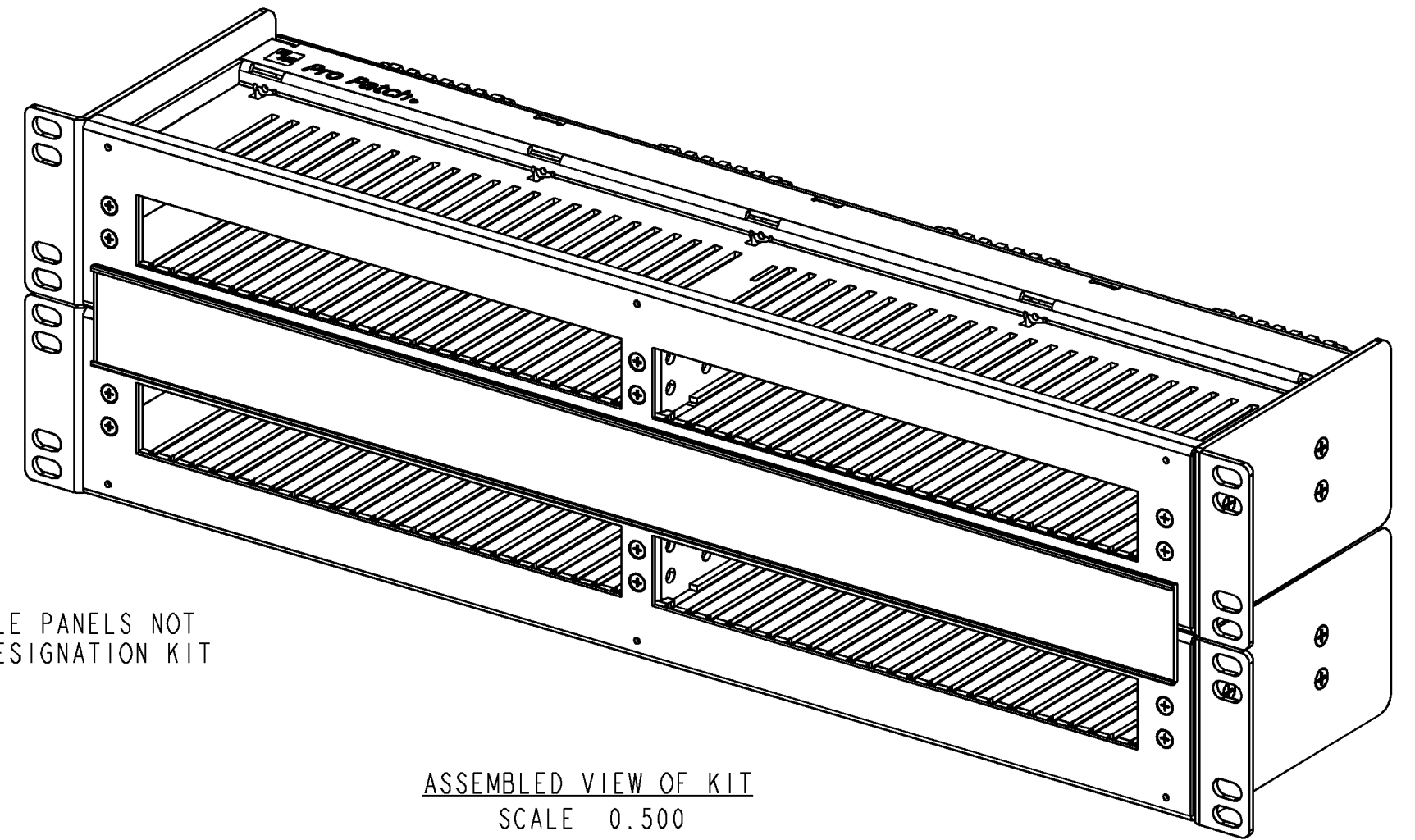
|  |                                       |   |                        |
|--|---------------------------------------|---|------------------------|
| INFORMATION ON THIS DOCUMENT IS PROPRIETARY TO ADC AND SHALL NOT BE USED, COPIED, REPRODUCED, OR DISCLOSED IN WHOLE OR IN PART WITHOUT WRITTEN CONSENT OF ADC. |                                       | TITLE DESIGNATION STRIP KITS, PATCH PANELS, BROADCAST, INSTALLATION DRAWING |                        |
| ALL DIMS AND TOLERANCES ARE INCHES UNLESS OTHERWISE SPECIFIED  | .XX:±REF<br>.XXX:±REF<br>ANGULAR:±REF | C SIZE  | DRAWING NUMBER 1256941 |
| DO NOT SCALE DRAWING   |                                       | ENGR: KEN SKLUZACEK<br>DWN: R. DEMULLING                                    | D REV                  |
|  |                                       |   | SHT. 6 OF 7            |

**DIMENSIONS IN INCHES  
THIRD ANGLE PROJECTION**

**CUSTOMER NOTES:**

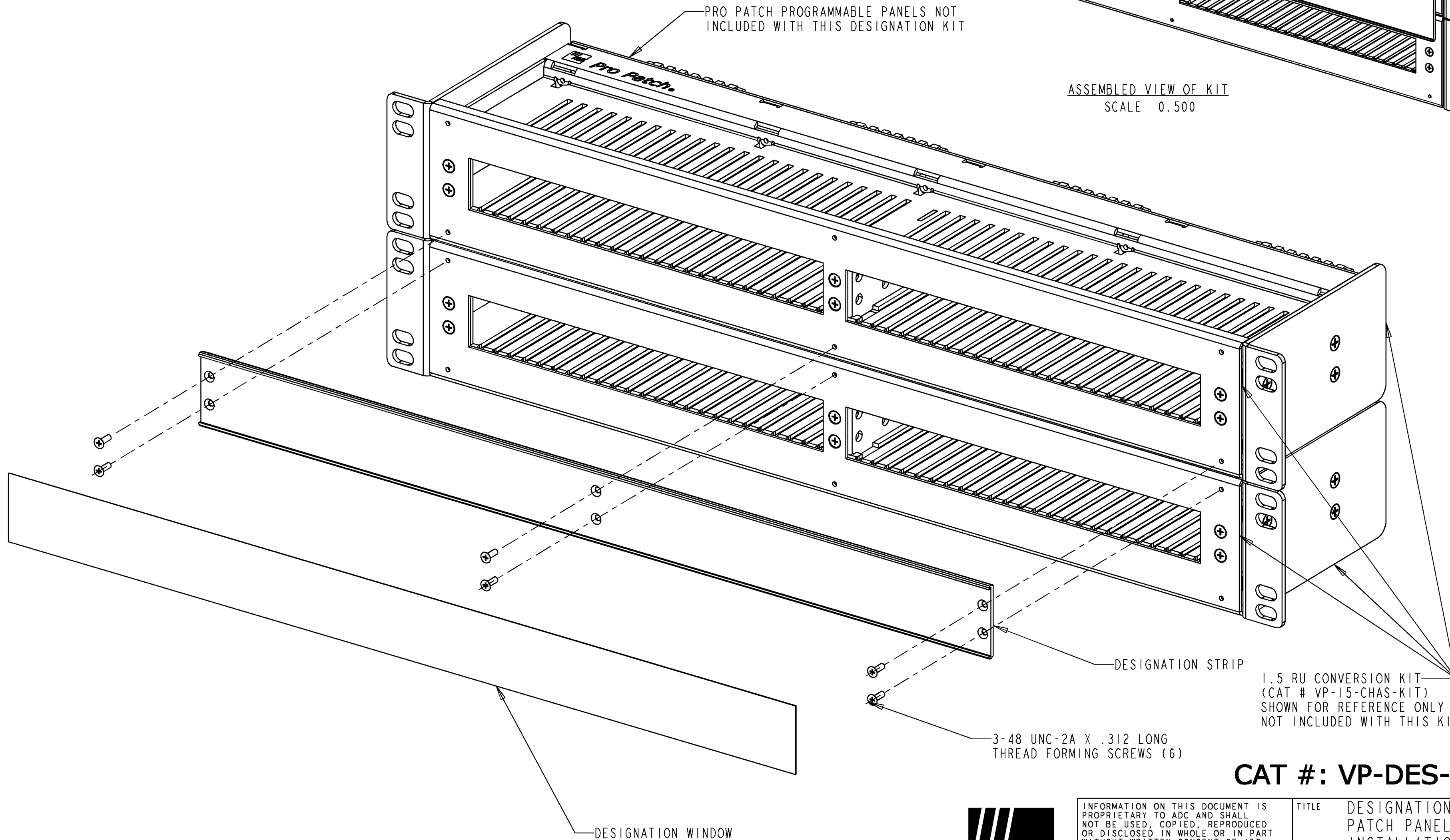
I. ITEMS INCLUDED WITH KIT:

- (1) DESIGNATION STRIP
- (1) DESIGNATION WINDOW
- (6) SCREWS #3-48 UNC-2A X .312



PRO PATCH PROGRAMMABLE PANELS NOT INCLUDED WITH THIS DESIGNATION KIT

ASSEMBLED VIEW OF KIT  
SCALE 0.500



DESIGNATION STRIP

3-48 UNC-2A X .312 LONG  
THREAD FORMING SCREWS (6)

DESIGNATION WINDOW

I.5 RU CONVERSION KIT  
(CAT # VP-15-CHAS-KIT)  
SHOWN FOR REFERENCE ONLY  
NOT INCLUDED WITH THIS KIT

**CAT #: VP-DES-1400-B**



INFORMATION ON THIS DOCUMENT IS PROPRIETARY TO ADC AND SHALL NOT BE USED, COPIED, REPRODUCED, OR DISCLOSED IN WHOLE OR IN PART WITHOUT WRITTEN CONSENT OF ADC.

ALL DIMS AND TOLERANCES ARE INCHES UNLESS OTHERWISE SPECIFIED

DO NOT SCALE DRAWING

TITLE DESIGNATION STRIP KITS, PATCH PANELS, BROADCAST, INSTALLATION DRAWING

DRAWING NUMBER 1256941

ENGR: KEN SKLUZACEK  
DWN: R. DEMULLING

SHT. 7 OF 7

**DIMENSIONS IN INCHES  
THIRD ANGLE PROJECTION**