



Coast™ Custom Cable

(310) 639-9473 Phone (310) 763-2225 Fax

Part Number: **14-1002** __ **199**

Revision: **None**

Customer Name: **IEWC**
End Use Customer: **GP:50**

Customer P/N: **N/A**
Customer Revision: **None**

Lead Wire Specification

36 AWG Lead Wire

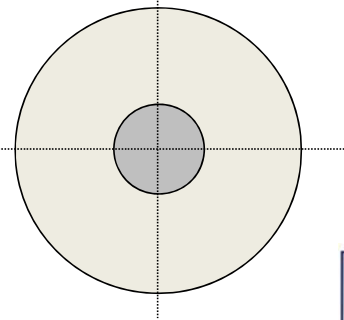
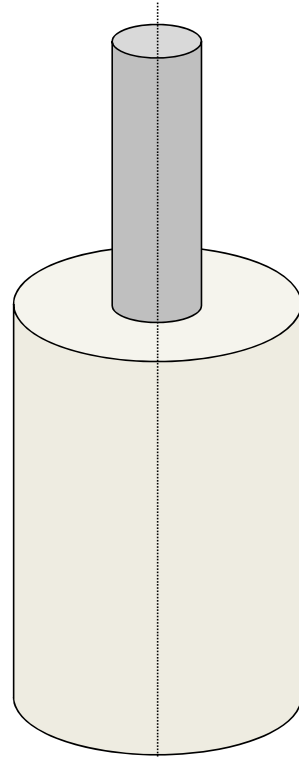
CONDUCTOR

Wire Size & Type: 36 AWG Solid Tinned Copper, 150°C, 0.0757 lbs./1,000 ft.
Nom. Wire Diameter: 0.005

INSULATION

Insulation Type: PFA, 260°C
Nom. Ins Thickness: 0.002
Lead Wire Diameter: **0.009**
Tolerance (+/-): 0.002

COLOR	PART NUMBER
Black	14-1002 BK199
Brown	14-1002 BR199
Red	14-1002 RD199
Orange	14-1002 OR199
Yellow	14-1002 YL199
Green	14-1002 GR199
Blue	14-1002 BL199
Violet	14-1002 VI199
Gray	14-1002 SL199
White	14-1002 WH199



TESTS

Test 3: Physical/Dimensional
Test 4: Spark - 500VAC

MISCELLANEOUS

Voltage: 30V_{RMS}
Temperature: -60°C to +150°C
Put Ups: Bulk
Reel: Plastic
Weight: Approximately 0.52 lbs./1,000 ft.
Print: None

APPROVALS

UL/CSA: None



UNCONTROLLED COPY

Dimensions in inches unless otherwise specified

.XXX = +/- .005 .XX = +/- .02 .X = +/- .1

UNCONTROLLED COPY

Prepared By: Mike Cother

Customer Approval: _____

Date: 12/10/2014

Title: _____

Configuration Code: 2611913

Date: _____

PROPRIETARY NOTICE

This document and any other data disclosed herein is the sole property of Alpha Wire and may not be reproduced, used or disclosed in part or in whole without the written consent of Alpha Wire. Please note that Alpha Wire does not warrant the specifications or designs developed with regard to Form, Fit, or Functionality for any specific end use application, and that the suitability of such and any future liability associated with the manufactured items is the sole responsibility of the end user.