

NOTES: UNLESS OTHERWISE SPECIFIED

1. MATERIAL SPECIFICATIONS:  
 BODY: BERYLLIUM COPPER  
 CONTACT: PHOSPHOR BRONZE  
 INSULATOR: PTFE  
 SPRING: STEEL  
 GASKET: SI-RUBBER  
 ALL OTHER METAL PARTS: BRASS

2. FINISH SPECIFICATIONS:  
 CONTACT: GOLD  
 ALL OTHER METAL PARTS: NICKEL

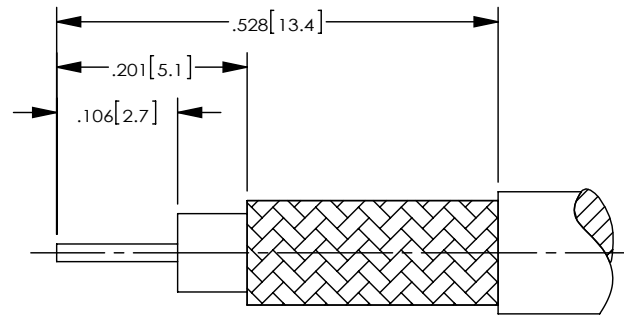
3. ELECTRICAL SPECIFICATIONS:  
 IMPEDANCE: 75 OHMS  
 FREQUENCY RANGE: DC - 12 GHz  
 RETURN LOSS: -30 dB MAX TO 3 GHz  
 -20 dB MAX TO 6 GHz

4. COMPLIANT TO 3G/6G/12G SDI SMPTE REQUIREMENTS.

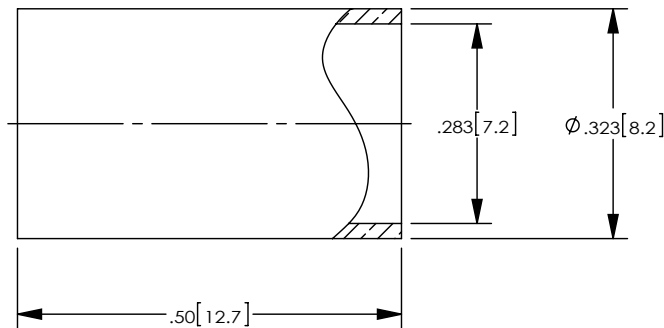
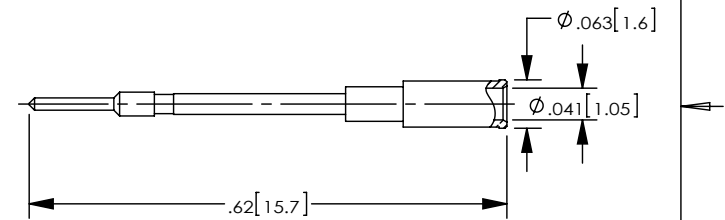
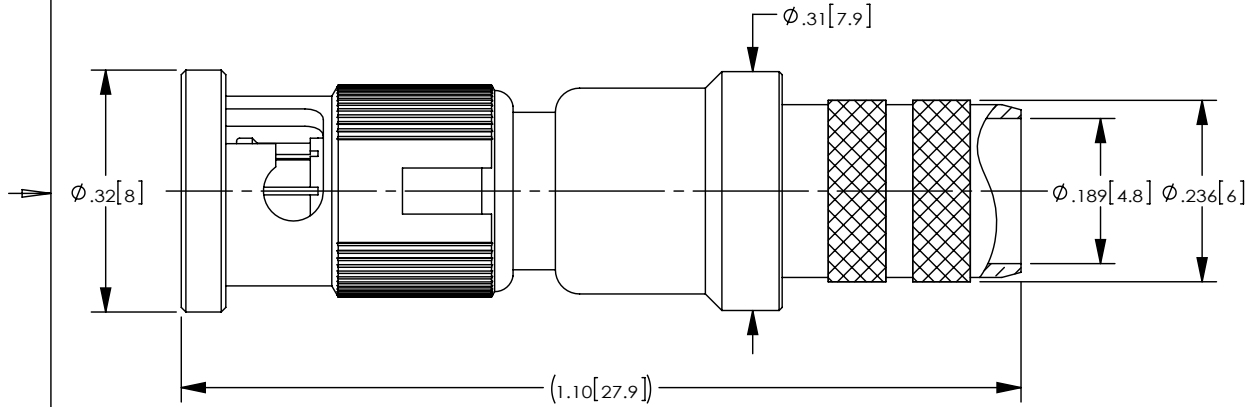
5. CRIMP CONTACT TO .042[1.06] SQ AND FERRULE TO .278[7.06] HEX.

5. CONTACT AND FERRULE SHIPPED LOOSE.

REV	DESCRIPTION	BY DATE	APPD
C	ER057798	JL 04/12/15	VA



RECOMMENDED CABLE STRIPPING DIM'S



CATALOG P/N: HHD1694A

PER ASME Y14.5M-1994 UNLESS OTHERWISE SPECIFIED: DIMENSIONS ARE IN INCHES [MM] TOLERANCES: DECIMAL: .XX [X.X] ± .01 [0.3] .XXX [X.XX] ± .005 [0.13] .XXXX [X.XXX] ± .XXXX			
ANGLES: ± 2°      SCALE: X:X			
CUSTOMER SALES DRAWING		THIRD ANGLE	
DRAWN	DATE	APPROVED	DATE
JL	04/21/2015		
APPROVED	DATE	APPROVED	DATE
XXX	XX/XX/XX	XXX	XX/XX/XX

**KINGS**  
 by WINCHESTER  
 Winchester Electronics Corporation  
 199 Park Road Ext Suite 104  
 Middlebury, Connecticut 06762

HDBNC CRIMP PLUG  
 FOR BELDEN 1694A CABLE  
 OR EQUIVALENT (RoHS COMPLIANT)

A	SDHHD1694A	SHT	OF	REV
		1	1	C