

# product specifications for: CLS 40 Panel Mounts

## Item #: CLS40MRB

### Description

CAM CLS 40 Double Set Screw Male Panel Mount

### Electrical Specifications

Max. Amperage: 400A  
Max. Voltage: 600V AC/DC

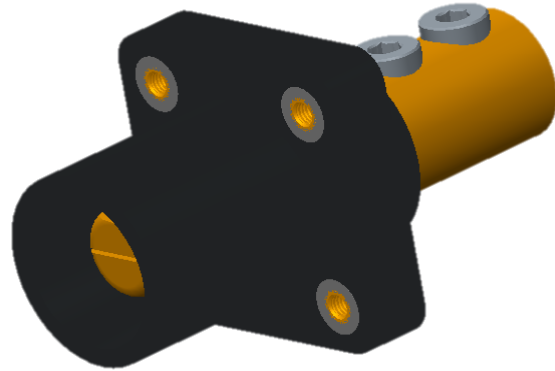
### Material Specifications

Housing Material: Santoprene TPV  
Contact Material: Brass  
Temperature Rating: -40°C to 105°C

### Mechanical Specification

Gender: Male  
Connection Type: Double Set Screw  
(Torque to 150 in.-lbs., do not over tighten)  
Cable Range: 2/0 – 4/0 AWG  
Mounting: Brass eyelet for #10-32 bolt  
(Bolts Not Provided)  
Optional drilled out version (X) for #10-32 nut and bolt

Example: CLS40MRB + **A** = CLS40MRB-A



### Standards and Certifications

UL Listed: File E111198  
Environmental Rating: Type 3R & 4

