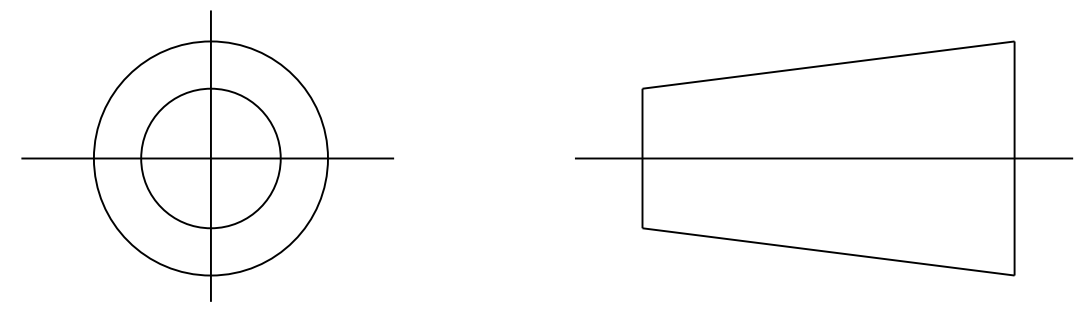


DRAWING No.
152173

SHT. 1
OF
1 SHTS.

© THE COPYRIGHT OF THIS DRAWING IS RESERVED BY HELLERMANN TYTON. IT IS ISSUED ON CONDITION THAT IT IS NOT COPIED, REPRODUCED OR DISCLOSED TO A THIRD PARTY EITHER WHOLLY OR IN PART WITHOUT THE CONSENT IN WRITING OF HELLERMANN TYTON.

THIRD ANGLE PROJECTION

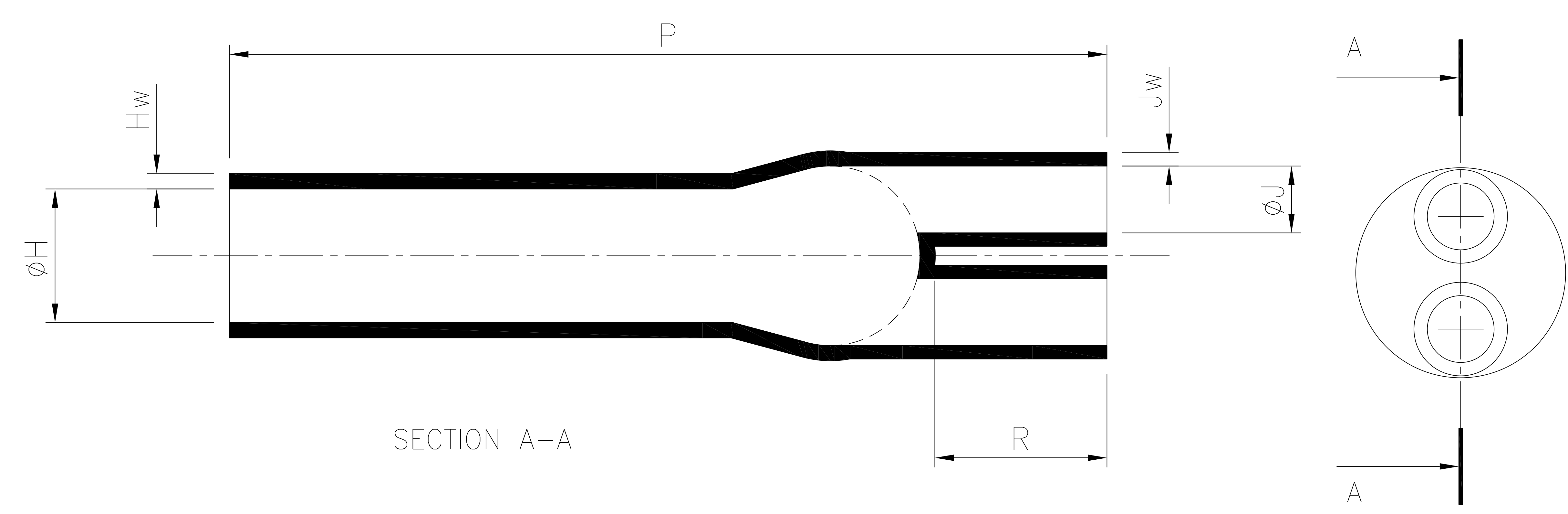


BS 8888

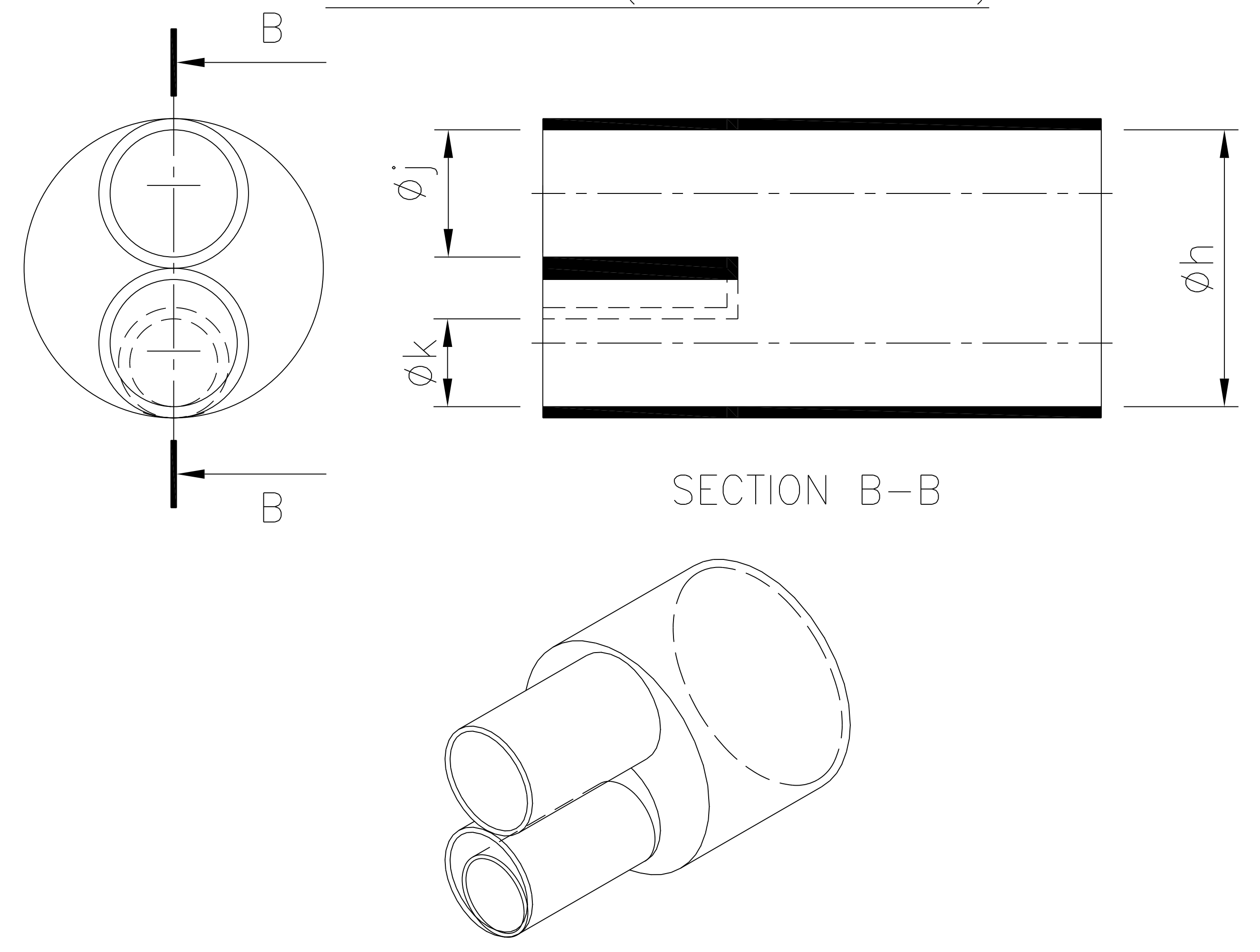
DO NOT SCALE
IF IN DOUBT ASK

Q.A.	H/S SETT		
H/S Q.A.	REL. INSP.		
H/S PROD	EXT.ISS.CODE	278	12

STANDARD PART (AFTER UNRESTRICTED RECOVERY)

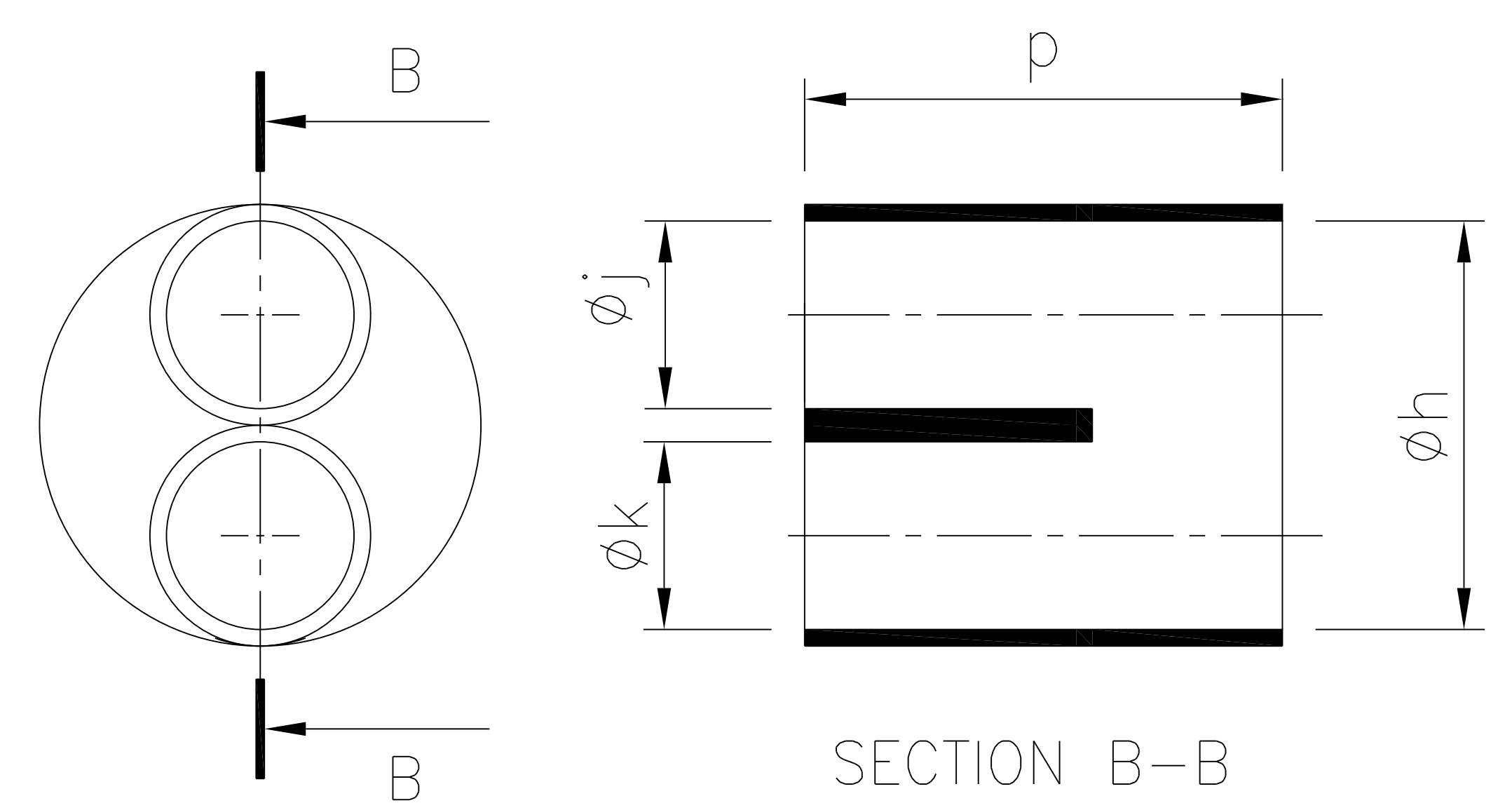


EXPANDED (AS SUPPLIED)



218-11, 218-13 &
218-14 DETAILS SHOWN DOTTED

EXPANDED (AS SUPPLIED)



218-5 DETAIL SHOWN
NOTE - CUT TO LENGTH AFTER EXPANSION
USE LATHE AND CUT 'H' END

3M	NAVSEA	PART NO.	EXPANDED DIMENSIONS (AS SUPPLIED)						RECOVERED DIAMETERS		RECOVERED DIMENSIONS			
			p	phi_h	phi_j	phi_k	phi_j	phi_k	phi_H	phi_J	P	R	Hw	Jw
			±10%	MIN	MIN	MIN	±5%	±5%	MAX	MAX	±10%	±10%	±20%	±20%
HDBB 220A	1A62-3	218-2	-	49.0 (1.93)	20.0 (0.79)	20.0 (0.79)	-	-	22.9 (0.90)	7.62 (0.30)	119.0 (4.69)	34.0 (1.34)	3.18 (0.13)	3.18 (0.13)
-	-	218-5	55.0 (2.16)	49.0 (1.93)	28.0 (1.10)	28.0 (1.10)	-	-	22.9 (0.90)	7.62 (0.30)	-	34.0 (1.34)	3.18 (0.13)	3.18 (0.13)
-	-	218-11	-	32.2 (1.27)	-	-	18.5 (0.73)	12.0 (0.47)	22.9 (0.90)	7.62 (0.30)	119.0 (4.69)	34.0 (1.34)	3.18 (0.13)	3.18 (0.13)
-	-	218-13	-	36.0 (1.42)	18.0 (0.71)	18.0 (0.71)	-	-	22.9 (0.90)	7.62 (0.30)	119.0 (4.69)	34.0 (1.34)	3.18 (0.13)	3.18 (0.13)
-	-	218-14	-	25.4 (1.00)	-	-	23.0 (0.90)	12.5 (0.49)	22.9 (0.90)	7.62 (0.30)	119.0 (4.69)	34.0 (1.34)	3.18 (0.13)	3.18 (0.13)

9	P1528	GB	22/12/15
8	P1526	DC	13/11/15
7	P1510	DC	10/7/15
6	P1451	DC	13/03/14
5	P1405	C.M.	25/01/13
ISSUE	NOTE No.	DRAWN	DATE

HellermannTyton
William Prance Road,
Plymouth International Med. & Tech. Park,
Plymouth, PL6 5WR
Tel ++44 (0) 1752 701261
Fax ++44 (0) 1752 790058

NAME	G.Baser	SCALE	NTS	ADHESIVE	A3 ORIGINAL SHEET SIZE 420mm x 297mm	SHT. 1 OF 1 SHTS.
DATE	06/10/08	DIMS IN	mm (in)			
TITLE	2 WAY OUTLET SLEEVE		PART No.	218	DRAWING No.	152173