

DRAWING NO. 30003952	7			6				5				4				3				2		1		
	CATALOG NUMBER	FIG. NO.	CONDUCTOR		STUD HOLE SIZE	DIMENSIONS							DIELESS (# OF CRIMPS)	INSTALLATION TOOLING										WIRE STRIP LENGTH
			AWG	MM ²		O.D.	B	C	D MIN.	K DIA.	L	N		T	MECHANICAL		HYDRAULIC						COLOR CODE	
														MD6, OUR840, MD7-34R	BCT500HS, Y500CTS	Y35, Y39, Y750, PAT750	Y46 PAT46	Y45	Y48	Y60				
YA8CLNT6	I	#8 AWG	10	6	.27 [7]	.44 [11]	.29 [7]	.41 [10]	.15 [4]	1.08 [27]	.19 [5]	.09 [2]	Y8MRB-1 (1) MY29-3 (1) MY29-11 (1) MRC840 (1) Y81KFT (1) Y81KFTMBH (1) PAT81KFT-18V (1)	W8CVT (1)	X8CRT (1)	U8CRT (1)	U8CRT (1)	U8CRT (1)	--	--	RED	49	1/2"	
YA8CLNT8	I			8	.27 [7]	.44 [11]	.33 [8]	.47 [12]	.18 [5]	1.18 [30]	.22 [6]	.09 [2]												
YA8CLNT10	I			8	.27 [7]	.44 [11]	.33 [8]	.52 [13]	.20 [5]	1.18 [30]	.22 [6]	.09 [2]												
YA6CLNT6	I	#6 AWG	--	6	.29 [7]	.54 [14]	.29 [7]	.41 [10]	.15 [4]	1.17 [30]	.19 [5]	.09 [2]	YIMRTC (1)	W5CVT (1)	X5CRT (1)	U5CRT (1)	U5CRT (1)	U5CRT (1)	--	--	BLUE	7	7/8"	
YA4CLNT10	I	#4 AWG	--	#10	.34 [9]	.81 [21]	.40 [10]	.64 [16]	.20 [5]	1.73 [44]	.31 [8]	.09 [2]	MY29-3 (1)	W4CVT (1)	X4CRT (1)	U4CRT (1)	U4CRT (1)	U4CRT (1)	--	--	GRAY	8	7/8"	
YA3CLNT14	I	#3 AWG #2SOL.	25	1/4"	.38 [10]	.88 [22]	.41 [10]	.70 [18]	.27 [7]	1.82 [46]	.31 [8]	.09 [2]	MY29-11 (1) MRC840 Y644HS (1) Y81KFT (1) Y81KFTMBH (1) PAT81KFT-18V (1)	--	--	U3CRT (1)	U3CRT (1)	U3CRT (1)	--	--	WHITE	9	15/16"	
YA3CLNT516	I			5/16"	.38 [10]	.88 [22]	.49 [12]	.62 [16]	.33 [8]	1.80 [46]	.25 [6]	.09 [2]												
YA2CLNT10	I	#2 AWG	35	#10	.42 [11]	.88 [22]	.48 [12]	.56 [14]	.20 [5]	1.80 [46]	.25 [6]	.11 [3]	W2CVT (1)	X2CRT (1)	U2CRT (1)	U2CRT (1)	U2CRT (1)	--	--	BROWN	10	15/16"		
YA2CLNT14	I			1/4"	.42 [11]	.88 [22]	.50 [13]	.56 [14]	.27 [7]	1.80 [46]	.25 [6]	.11 [3]												
YA2CLNT516	I	5/16"	.42 [11]	.88 [22]	.49 [12]	.62 [16]	.33 [8]	1.82 [46]	.25 [6]	.11 [3]														
YA1CLNT10	I	#1 AWG	50	#10	.46 [12]	.88 [22]	.50 [13]	.94 [24]	.20 [5]	2.23 [57]	.25 [6]	.10 [3]	W1CVT (1)	X1CRT-1 (1)	U1CRT-1 (1)	U1CRT-1 (1)	U1CRT-1 (1)	--	--	GREEN	11	15/16"		
YA1CLNT14	I			1/4"	.46 [12]	.88 [22]	.50 [13]	.94 [24]	.27 [7]	2.23 [57]	.25 [6]	.10 [3]												
YA25LNT10	I	1/0 AWG	--	#10	.51 [13]	.88 [22]	.62 [16]	.94 [24]	.20 [5]	2.28 [58]	.33 [8]	.12 [3]	MY29-3 (1) MY29-11 (1) MRC840 Y644HS (1) Y81KFT (1) Y81KFTMBH (1) PAT81KFT-18V (1)	W25CVT (2)	X25RT (2)	U25RT (1)	U25RT (1)	U25RT (1)	--	--	PINK	12	15/16"	
YA25LNT14	I			1/4"	.51 [13]	.88 [22]	.48 [12]	.67 [17]	.27 [7]	1.93 [49]	.31 [8]	.12 [3]												
YA25LNT516	I			5/16"	.51 [13]	.88 [22]	.62 [16]	.94 [24]	.33 [8]	2.28 [58]	.33 [8]	.12 [3]												
YA25LNT38	I	3/8"	.51 [13]	.88 [22]	.62 [16]	.85 [22]	.41 [10]	2.18 [55]	.41 [10]	.12 [3]														
YA26LNT10	I	2/0 AWG	70	#10	.56 [14]	.94 [24]	.62 [16]	1.14 [29]	.20 [5]	2.62 [67]	.33 [8]	.13 [3]	W26CVT (2)	X26RT (2)	U26RT (1)	U26RT (1)	U26RT (1)	--	--	BLACK	13	1"		
YA26LNT14	I			1/4"	.56 [14]	.94 [24]	.48 [12]	.59 [15]	.27 [7]	2.02 [51]	.25 [6]	.13 [3]												
YA26LNT516	I			5/16"	.56 [14]	.94 [24]	.62 [16]	1.14 [29]	.33 [8]	2.62 [67]	.33 [8]	.13 [3]												
YA26LNT38	I			3/8"	.56 [14]	.94 [24]	.72 [18]	1.00 [25]	.41 [10]	2.48 [63]	.38 [10]	.12 [3]												

TOLERANCE BLOCK							
CONNECTOR SIZE	TOLERANCES						
	B	C	E	K DIA.	L	N	O.D.
-8C THRU -25	±.06	±.04	±.02	±.02	±.09	±.03	±.01
-26 THRU -34	±.08	±.04	±.02	±.02	±.12	±.03	±.01
-35 AND UP	±.09	±.06	±.02	±.02	±.15	±.06	±.01

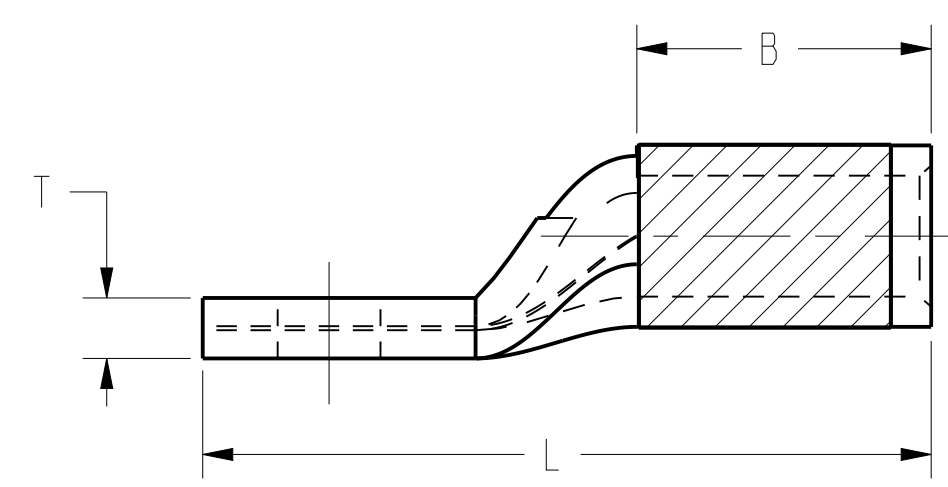
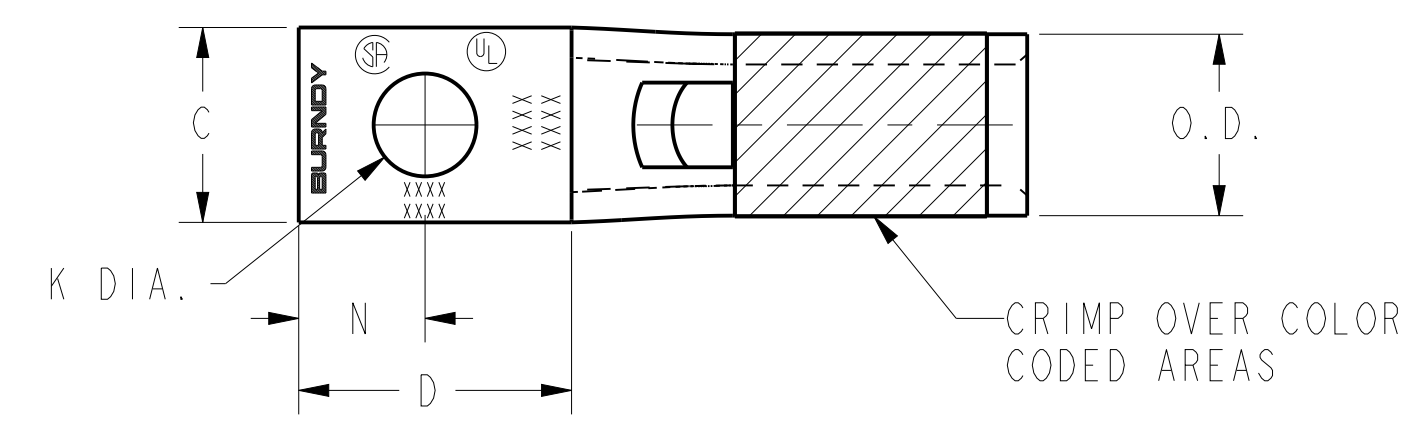


FIG. 1

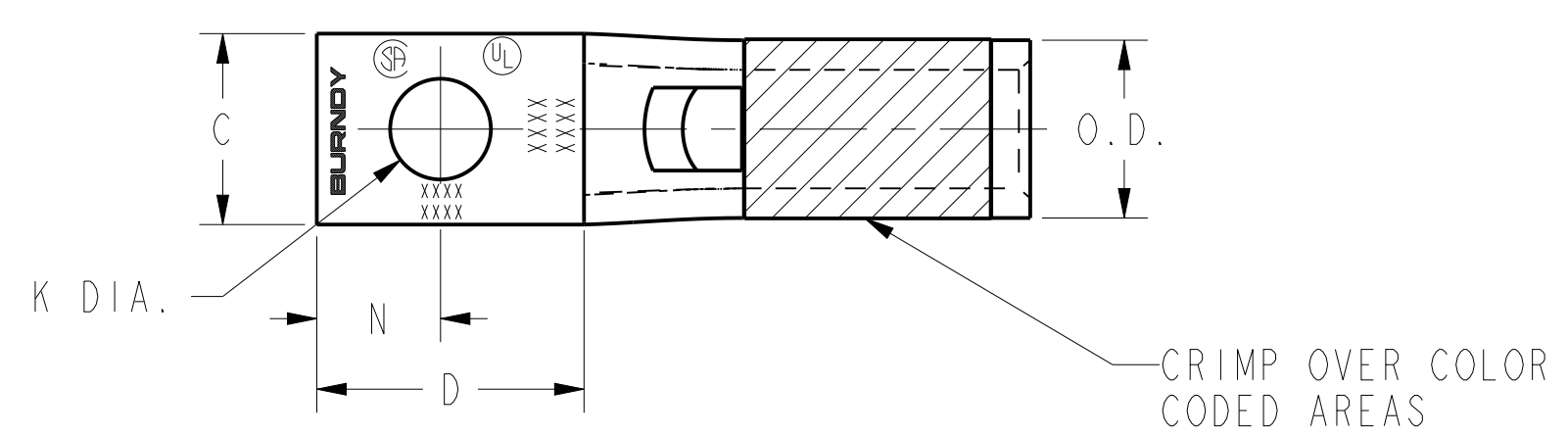
- NOTES:
- MATERIAL: COPPER TUBING.
 - FINISH: TIN PLATED.
 - CAT NO. PUADP-1 ADAPTOR IS REQUIRED TO USE "U" DIES IN Y46 SERIES TOOLS.
 - DIMENSIONS IN BRACKETS [] ARE IN MILLIMETERS ROUNDED OFF TO THE NEAREST MILLIMETER, UNLESS OTHERWISE NOTED, AND ARE FOR REFERENCE ONLY.
 - CAT. NO. PT6515 ADAPTER IS REQUIRED TO USE "U" TYPE DIES IN Y45 TOOLS.

TO ORDER BURNDY® PRODUCTS CALL		HYLUG™ COPPER (NARROW TONGUE)	
UNITED STATES 1-800-346-4175 (LONDONDERRY, NH)		ITEM NO: N/A	
CANADA: 1-800-361-6975 (QUEBEC) 1-800-387-6487 (ALL OTHER PROVINCES)		CAT. NO: YA-L-NT-(TABLE)	
FOR PRODUCT INFO: http://www.burndy.com		DRAWN BY: AUGUSTIN.S 07/03/10	
		CHECKER: --	
		DSN APPVL: J MICHAUD 06/11/11	
		MFG APPVL: T THRELFALL 06/23/11	
		QA APPVL: T WATTS 06/13/11	
		MKT APPVL: J SYLVIA 06/13/11	
		SCALE: 1:1	
		PROD FAM: CM&R COMPRESSION	
		DRAWING NO	
		PROJECT #: --	
		SIZE	
		30003952	
		DOCUMENT TYPE: Sales	
		SHEET 1 OF 12	
		REL LEVEL: Released	
		M	

REV: PEO200

DRAWING NO. 30003952	7				6				5				4				3				2		1					
	CATALOG NUMBER	FIG. NO.	CONDUCTOR		STUD HOLE SIZE	DIMENSIONS							DIELESS (# OF CRIMPS)	INSTALLATION TOOLING										WIRE STRIP LENGTH				
			AWG	MM ²		O.D.	B	C	D MIN.	K DIA.	L	N		T	MECHANICAL		HYDRAULIC						COLOR CODE		DIE INDEX			
														MD6, OUR840, MD7-34R	BCT500HS, Y500CTHS	Y35, Y39, Y750, PAT750	Y46 PAT46 \triangleleft 3	Y45 \triangleleft 5	Y48	Y60								
YA27LNT14	I	3/0 AWG	--	1/4"	.62 [16]	1.00 [25]	.76 [19]	.67 [17]	.27 [7]	2.10 [53]	.31 [8]	.13 [3]	Y644HS (1) Y81KFT(2) Y81KFTMBH (2) PAT81KFT-18V (2)	W27VT(2)	X27RT(3)	U27RT(1)	U27RT(1)	U27RT(1)	--	--	ORANGE	14	1-1/16"					
YA27LNT516	I			5/16"	.62 [16]	1.00 [25]	.60 [15]	.77 [20]	.33 [8]	2.17 [55]	.34 [9]	.12 [3]																
YA27LNT38	I			3/8"	.62 [16]	1.00 [25]	.76 [19]	1.14 [29]	.41 [10]	2.73 [69]	.41 [10]	.12 [3]																
YA28LNT14	I	4/0 AWG	--	1/4"	.69 [18]	.88 [22]	.76 [19]	1.07 [27]	.27 [7]	2.60 [66]	.31 [8]	.14 [4]		Y644HS (1) Y81KFT(2) Y81KFTMBH (2) PAT81KFT-18V (2)	W28VT(2)	X28RT(3)	U28RT(1)	U28RT(1)	U28RT(1)	C28R(1)	L28RT(1)	PURPLE	15	1-1/8"				
YA28LNT516	I			5/16"	.69 [18]	.88 [22]	.70 [18]	.77 [20]	.33 [8]	2.09 [53]	.34 [9]	.14 [4]																
YA28LNT38	I			3/8"	.69 [18]	.88 [22]	.76 [19]	1.14 [29]	.41 [10]	2.67 [68]	.41 [10]	.14 [4]																
YA29LNT516	I	250 kcmil	--	5/16"	.75 [19]	1.06 [27]	.76 [19]	.72 [18]	.33 [8]	2.48 [63]	.34 [9]	.16 [4]			Y644HS (1) Y81KFT(2) Y81KFTMBH (2) PAT81KFT-18V (2)	W29VT(2)	X29RT(4)	U29RT(1)	U29RT(1)	U29RT(1)	L29R(1)	L29RT(1)	YELLOW	16	1-1/8"			
YA29LNT38	I			3/8"	.75 [19]	1.06 [27]	.76 [19]	1.20 [30]	.41 [10]	2.96 [75]	.41 [10]	.16 [4]																
YA29LNT38	I			3/8"	.75 [19]	1.06 [27]	.96 [24]	1.20 [30]	.41 [10]	2.96 [75]	.41 [10]	.16 [4]																
YA30LNT14	I	300 kcmil	150	1/4"	.81 [21]	1.03 [26]	.83 [21]	.71 [18]	.27 [7]	2.26 [57]	.31 [8]	.16 [4]				Y644HS (1) Y81KFT(2) Y81KFTMBH (2) PAT81KFT-18V (2)	W30VT(4)	----	U30RT(2)	U30RT(2)	U30RT(2)	C30R(2)	L30RT(1)	WHITE	17	1-1/8"		
YA30LNT38	I			3/8"	.81 [21]	1.03 [26]	.96 [24]	1.20 [30]	.41 [10]	2.97 [75]	.41 [10]	.16 [4]																
YA31LNT38	I	350 kcmil	185	3/8"	.88 [22]	1.06 [27]	.96 [24]	1.45 [37]	.41 [10]	3.31 [84]	.41 [10]	.18 [4]					Y644HS (1) Y81KFT(2) Y81KFTMBH (2) PAT81KFT-18V (2)	W31VT(4)	----	U31RT(2)	U31RT(2)	U31RT(2)	C31R(2)	L31RT(1)	RED	18	1-3/16"	
YA31LNT12	I			1/2"	.88 [22]	1.06 [27]	.88 [22]	1.14 [29]	.53 [13]	2.75 [70]	.53 [13]	.18 [4]																
YA32LNT38	I	400 kcmil	--	3/8"	.95 [24]	1.19 [30]	.96 [24]	1.20 [30]	.41 [10]	3.21 [82]	.41 [10]	.20 [5]	Y644HS (1) Y81KFT(2) Y81KFTMBH (2) PAT81KFT-18V (2)					W32VT(4)	----	U32RT(2)	U32RT(2)	U32RT(2)	C32R(2)	L32RT(1)	BLUE	19 OR 470	1-1/4"	
YA32LNT12	I			1/2"	.95 [24]	1.19 [30]	.96 [24]	1.20 [30]	.53 [13]	3.21 [82]	.53 [13]	.19 [5]																
YA34LNT38	I	500 kcmil	240	3/8"	1.06 [27]	1.27 [32]	.96 [24]	1.45 [37]	.41 [10]	3.65 [93]	.41 [10]	.23 [6]		Y644HS (1) Y81KFT(2) Y81KFTMBH (2) PAT81KFT-18V (2)				W34VT(4)	----	U34RT(2)	U34RT(2)	U34RT(2)	C34R(1)	L34RT(1)	BROWN	20 OR 299	1-7/16"	
YA34LNT12	I			1/2"	1.06 [27]	1.27 [32]	.96 [24]	1.45 [37]	.53 [13]	3.65 [93]	.53 [13]	.23 [6]																
YA36LNT38	I	600 kcmil	300	3/8"	1.18 [30]	1.38 [35]	1.12 [28]	1.70 [43]	.41 [10]	4.09 [104]	.50 [13]	.27 [7]						Y644HS (1) Y81KFT(2) Y81KFTMBH (2) PAT81KFT-18V (2)	----	----	U36RT(2)	U36RT(2)	U36RT(2)	C36R(1)	L36RT(1)	GREEN	22	1-3/4"
YA36LNT12	I			1/2"	1.188 [30]	1.38 [35]	1.00 [25]	1.17 [30]	.53 [13]	3.29 [84]	.53 [13]	.27 [7]																
YA39LNT38	I	750 kcmil	--	3/8"	1.300 [33]	1.42 [36]	1.12 [28]	1.70 [36]	.41 [10]	4.24 [108]	.50 [13]	.27 [7]			Y81KFT (3) Y81KFTMBH (3) PAT81KFT-18V (3)				----	----	U39RT(2)	U39RT(2)	U39RT(2)	C39R(1)	L39RT(1)	BLACK	24	1-15/16"
YA39LNT12	I			1/2"	1.300 [33]	1.42 [36]	1.63 [41]	1.70 [36]	.56 [14]	4.24 [108]	.53 [13]	.27 [7]																
YA39LNT58	I			5/8"	1.300 [33]	1.42 [36]	1.30 [33]	1.43 [36]	.69 [10]	3.67 [93]	.66 [17]	.27 [7]																

TOLERANCE BLOCK							
CONNECTOR SIZE	TOLERANCES						
	B	C	E	K DIA.	L	N	O.D.
-8C THRU -25	±.06	±.04	±.02	±.02	±.09	±.03	±.01
-26 THRU -34	±.08	±.04	±.02	±.02	±.12	±.03	±.01
-35 AND UP	±.09	±.06	±.02	±.02	±.15	±.06	±.01



- NOTES:
- MATERIAL: COPPER TUBING.
 - FINISH: TIN PLATED.
 - CAT NO. PUADP-1 ADAPTOR IS REQUIRED TO USE 'U' DIES IN Y46 SERIES TOOLS.
 - DIMENSIONS IN BRACKETS [] ARE IN MILLIMETERS ROUNDED OFF TO THE NEAREST MILLIMETER, UNLESS OTHERWISE NOTED, AND ARE FOR REFERENCE ONLY.
 - CAT. NO. PT6515 ADAPTER IS REQUIRED TO USE "U" TYPE DIES IN Y45 TOOLS.

TO ORDER BURNDY® PRODUCTS CALL		HYLUG™ COPPER (NARROW TONGUE)	
UNITED STATES 1-800-346-4175 (LONDONDERRY, NH)		ITEM NO: N/A	CAT. NO: YA-L-NT-(TABLE)
CANADA: 1-800-361-6975 (QUEBEC) 1-800-387-6487 (ALL OTHER PROVINCES)		DRAWN BY: AUGUSTIN.S 07/03/10	CHECKER: --
FOR PRODUCT INFO: http://www.burndy.com		DSN APPVL: J MICHAUD 06/11/11	MFG APPVL: T THRELFALL 06/23/11
		GA APPVL: T WATTS 06/13/11	MKT APPVL: J SYLVIA 06/13/11
		PROD FAM: CM&R COMPRESSION	DRAWING NO: 30003952
		PROJECT #: --	SIZE: D
		DOCUMENT TYPE: Sales	SHEET 2 OF 12
		REL LEVEL: Released	REV: M

REV	DATE	DESCRIPTION	ECO	BY	C'H'K.
M	01/09/2015 00:00:00 AM	FOCUS REQUEST # 1501023	38933	MS	MB

REV: PEO200

DRAWING NO. 30003952	7		6			5			4			3			2		1		WIRE STRIP LENGTH							
	CATALOG NUMBER	FIG. NO.	CONDUCTOR		STUD HOLE SIZE	DIMENSIONS							DIELESS (# OF CRIMPS)	INSTALLATION TOOLING												
			AWG	MM ²		O.D.	B	C	D MIN.	E	K DIA.	L		N	T	MECHANICAL	HYDRAULIC						COLOR CODE	DIE INDEX		
YA2CL2NT14	2	#2 AWG	35	1/4"	.42 [11]	.88 [22]	.48 [12]	1.26 [32]	.63 [16]	.27 [7]	2.47 [63]	.31 [8]	.11 [3]	MRC840(1) MY29-3(1) MY29-11(1) Y644HS(1) Y1MRTC(2) Y81KFT(1) Y81KFTMBH(1) PAT81KFT-18V(1)	MD6, OUR840, MD7-34R	BCT500HS, Y500CTHS	Y35, Y39, Y750, PAT750	Y46 PAT46	Y45	Y48	Y60	BROWN	10	15/16"		
YA2CL2NT14E2	2			1/4"	.42 [11]	.88 [22]	.48 [12]	1.39 [35]	.75 [19]	.27 [7]	2.60 [66]	.31 [8]	.11 [3]		W2CVT(1)	W2CVT(1)	U2CRT(1)	U2CRT(1)	U2CRT(1)	--	--					
YA2CL2NT14E1	2			1/4"	.42 [11]	.88 [22]	.48 [12]	1.64 [42]	1.00 [25]	.27 [7]	2.84 [72]	.31 [8]	.11 [3]													
YA1CL2NT14	2	#1 AWG	50	1/4"	.46 [12]	.88 [22]	.50 [13]	1.26 [32]	.63 [16]	.27 [7]	2.55 [65]	.31 [8]	.11 [3]	MRC840(1) MY29-3(1) MY29-11(1) Y1MRTC(2) Y644HS(1) Y81KFT(1) Y81KFTMBH(1) PAT81KFT-18V(1)	W1CVT(1)	X1CRT-1(1)	U1CRT-1(1)	U1CRT-1(1)	U1CRT-1(1)	--	--	GREEN	11	15/16"		
YA1CL2NT14E2	2			1/4"	.46 [12]	.88 [22]	.50 [13]	1.39 [35]	.75 [19]	.27 [7]	2.68 [68]	.31 [8]	.10 [3]													
YA25L2NT14	2	1/0 AWG	--	1/4"	.51 [13]	.88 [22]	.48 [12]	1.30 [33]	.63 [16]	.27 [7]	2.56 [65]	.31 [8]	.10 [3]	MRC840(2) MY29-3(1) MY29-11(1) Y644HS(1) Y81KFT(1) Y81KFTMBH(1) PAT81KFT-18V(1)	W25VT(2)	W25VT(2)	U25RT(1)	U25RT(1)	U25RT(1)	--	--	PINK	12	15/16"		
YA25L2NT14E1	2			1/4"	.51 [13]	.88 [22]	.48 [12]	1.94 [49]	1.00 [25]	.27 [7]	3.28 [83]	.25 [6]	.12 [3]													
YA26L2NT14	2	2/0 AWG	70	1/4"	.56 [14]	.94 [24]	.48 [12]	1.22 [31]	.63 [16]	.27 [7]	2.66 [68]	.25 [6]	.12 [3]	MRC840(2) MY29-3(1) MY29-11(1) Y644HS(1) Y81KFT(1) Y81KFTMBH(1) PAT81KFT-18V(1)	W26VT(1)	W26VT(2) X26RT(2)	U26RT(1)	U26RT(1)	U26RT(1)	--	--	BLACK	13	1"		
YA26L2NT14E1	2			1/4"	.56 [14]	.94 [24]	.48 [12]	1.60 [41]	1.00 [25]	.27 [7]	3.03 [77]	.25 [6]	.12 [3]													

TOLERANCE BLOCK							
CONNECTOR SIZE	TOLERANCES						
	B	C	E	K DIA.	L	N	O.D.
-8C THRU -25	±.06	±.04	±.02	±.02	±.09	±.03	±.01
-26 THRU -34	±.08	±.04	±.02	±.02	±.12	±.03	±.01
-35 AND UP	±.09	±.06	±.02	±.02	±.15	±.06	±.01

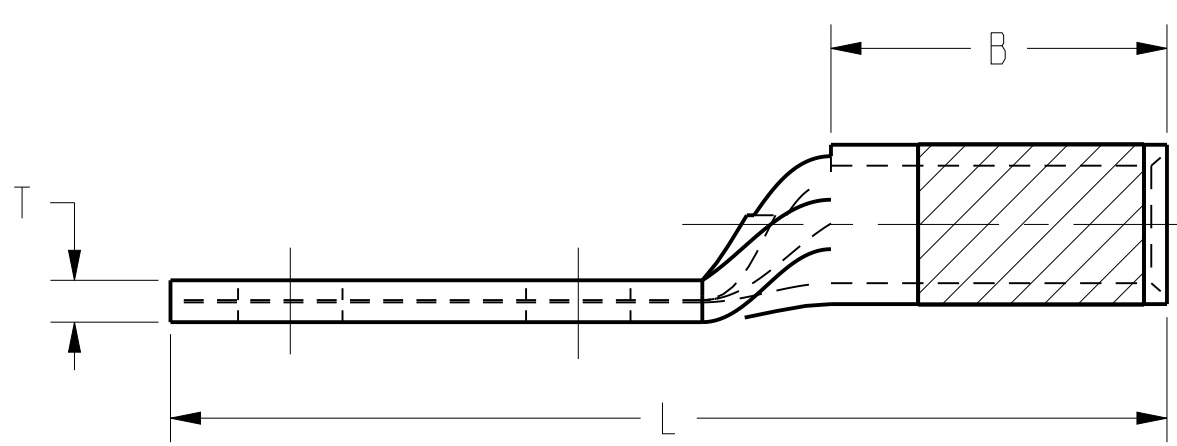
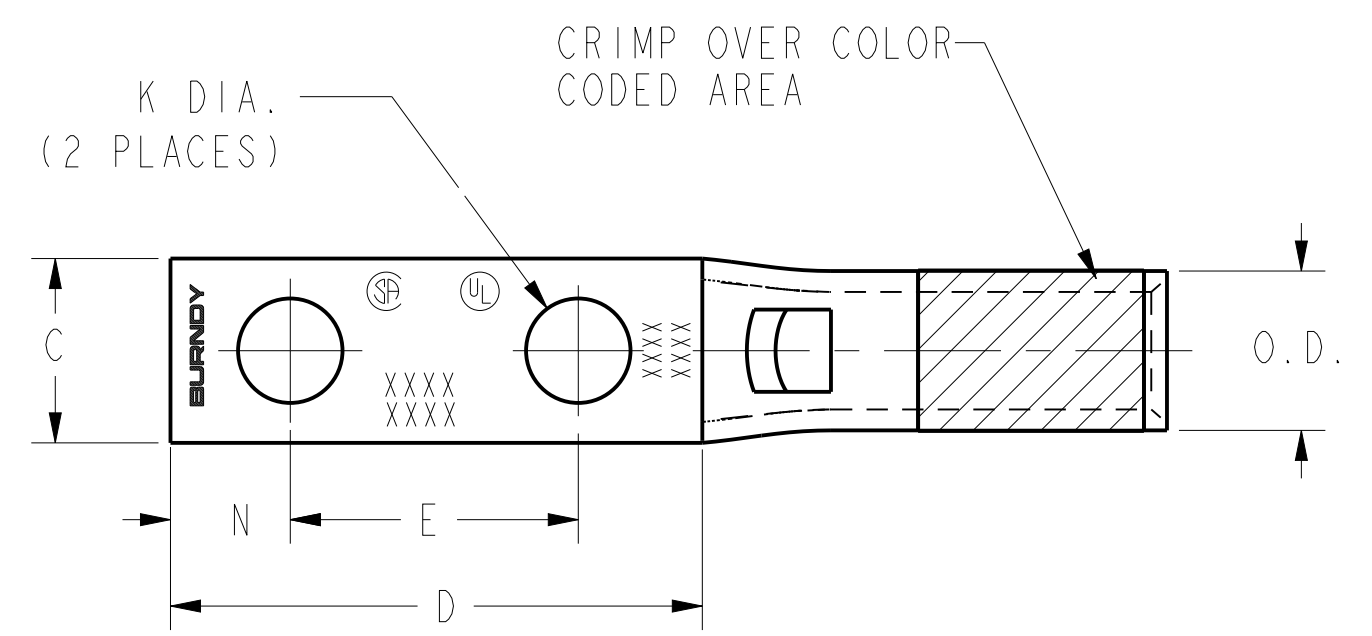


FIG. 2

- NOTES:
- MATERIAL: COPPER TUBING.
 - FINISH: TIN PLATED.
 - CAT NO. PUADP-1 ADAPTOR IS REQUIRED TO USE "U" DIES IN Y46 SERIES TOOLS.
 - DIMENSIONS IN BRACKETS [] ARE IN MILLIMETERS ROUNDED OFF TO THE NEAREST MILLIMETER, UNLESS OTHERWISE NOTED, AND ARE FOR REFERENCE ONLY.
 - CAT. NO. PT6515 ADAPTER IS REQUIRED TO USE "U" TYPE DIES IN Y45 TOOLS.

TO ORDER BURNDY® PRODUCTS CALL		HYLUG™ COPPER (NARROW TONGUE)	
UNITED STATES 1-800-346-4175 (LONDONDERRY, NH)		ITEM NO: N/A	
CANADA: 1-800-361-6975 (QUEBEC) 1-800-387-6487 (ALL OTHER PROVINCES)		CAT. NO: YA-L-NT-(TABLE)	
FOR PRODUCT INFO: http://www.burndy.com		DRAWN BY: AUGUSTIN.S 07/03/10	
		CHECKER: --	
		DSN APPVL: J MICHAUD 06/11/11	
		MFG APPVL: T THRELFALL 06/23/11	
		QA APPVL: T WATTS 06/13/11	
		MKT APPVL: J SYLVIA 06/13/11	
		SCALE: 1:1	
		PROD FAM: CM&R COMPRESSION	
		DRAWING NO	
		PROJECT #: --	
		SIZE	
		30003952	
		DOCUMENT TYPE: Sales	
		SHEET 3 OF 12	
		REL LEVEL: Released	

REV	DATE	DESCRIPTION	ECO	BY	C'H'K.
M	01/09/2015 00:00:00 AM	FOCUS REQUEST # 1501023	38933	MS	MB

REV: PEO200

CATALOG NUMBER	FIG. NO.	CONDUCTOR		STUD HOLE SIZE	DIMENSIONS									DIELESS (# OF CRIMPS)	INSTALLATION TOOLING										WIRE STRIP LENGTH
		AWG	MM ²		O.D.	B	C	D MIN.	E	K DIA.	L	N	T		MECHANICAL		HYDRAULIC						COLOR CODE	DIE INDEX	
															MD6, OUR840, MD7-34R	BCT500HS, Y500CTHS	Y35, Y39, Y750, PAT750	Y46 PAT46	Y45	Y48	Y60				
YA27L2NT14	2	3/0 AWG	--	1/4"	.62 [16]	1.00 [25]	.76 [19]	1.30 [33]	.63 [16]	.27 [7]	2.73 [69]	.31 [8]	.13 [3]	MY29-3(1) MY29-11(1) MRC840(2) Y644HS(1) Y81KFT(1) Y81KFTMBH(1) PAT81KFT-18V(1)	W27VT(2) W27RT(2) X27RT(3)	W27VT(2) W27RT(2) X27RT(3)	U27RT(1)	U27RT(1)	U27RT(1)	--	--	ORANGE	14	1-1/16"	
YA27L2NT38	2			3/8"	.62 [16]	1.00 [25]	.60 [15]	1.74 [44]	1.00 [25]	.41 [10]	3.30 [84]	.41 [10]	.13 [3]												
YA27L2NT516	2			5/16"	.62 [16]	1.00 [25]	.60 [15]	1.73 [44]	1.00 [25]	.33 [8]	3.26 [83]	.31 [8]	.13 [3]												
YA28L2NT14	2	4/0 AWG	--	1/4"	.69 [18]	.88 [22]	.76 [19]	1.30 [33]	.63 [16]	.27 [7]	2.65 [67]	.31 [8]	.13 [3]	MY29-3(1) MY29-11(1) Y644HS(1) Y81KFT(1) Y81KFTMBH(1) PAT81KFT-18V(1)	W27RT(2)	W28RT(2) X28RT(3)	U28RT(1)	U28RT(1)	U28RT(1)	C28R(1)	L28RT(1)	PURPLE	15	1-1/16"	
YA29L2NT38	2	250 kcmil	--	3/8"	.75 [19]	1.00 [25]	.80 [20]	1.83 [47]	1.00 [25]	.41 [10]	3.43 [87]	.41 [10]	.16 [4]												
YA29L2NT38E16	2			3/8"	.75 [19]	1.06 [27]	.80 [20]	1.83 [47]	1.75 [44]	.41 [10]	4.18 [106]	.41 [10]	.16 [4]												
YA31L2NT38	2	350 kcmil	185	3/8"	.88 [22]	1.06 [27]	.96 [24]	1.82 [46]	1.00 [25]	.41 [10]	3.51 [89]	.41 [10]	.18 [4]	Y644HS(1) Y81KFT(1) Y81KFTMBH(1) PAT81KFT-18V(1)	W31VT(2)	W31VT(2) W31RT(2)	U31RT(2) U29ART(2)	U31RT(2) U29ART(2)	U31RT(2) U29ART(2)	C31R(2) C29AR(2)	L31RT(1) L29ART(1)	RED	18	1-1/8"	
YA31L2NT38E16	2			3/8"	.88 [22]	1.06 [27]	.88 [22]	2.59 [66]	1.75 [44]	.41 [10]	4.36 [111]	.41 [10]	.18 [4]												
YA34L2NT38	2	500 kcmil	240	3/8"	1.06 [27]	1.27 [32]	.96 [24]	1.82 [46]	1.00 [25]	.41 [10]	3.65 [93]	.41 [10]	.23 [6]												
YA34L2NT38E16	2			3/8"	1.06 [27]	1.27 [32]	.96 [24]	2.58 [66]	1.75 [44]	.41 [10]	4.63 [117]	.41 [10]	.23 [6]												
YA34L2NT12E1	2			1/2"	1.06 [27]	1.27 [32]	.96 [24]	2.08 [53]	1.00 [25]	.53 [13]	4.13 [105]	.53 [13]	.23 [6]												
YA36L2NNT	2	600 kcmil	300	1/2"	1.19 [30]	1.38 [35]	1.12 [28]	3.00 [76]	1.75 [44]	.53 [13]	5.43 [138]	.63 [16]	.27 [16]	Y644HS(1) Y81KFT(1) Y81KFTMBH(1) PAT81KFT-18V(1)	----	----	U36RT(2)	U36RT(2)	U36RT(2)	C36R(1)	L36RT(1)	GREEN	472	1-3/4"	
YA39L2NT38	2	750 kcmil	--	3/8"	1.30 [33]	1.42 [36]	1.63 [41]	2.06 [52]	1.00 [25]	.41 [10]	4.34 [110]	.50 [13]	.27 [16]												
YA39L2NT38E16	2			3/8"	1.30 [33]	1.42 [36]	1.30 [33]	2.78 [71]	1.75 [44]	.41 [10]	5.11 [130]	.50 [13]	.27 [16]												
YA39L2NT12E1	2			1/2"	1.30 [33]	1.42 [36]	1.30 [33]	2.08 [53]	1.00 [25]	.53 [13]	4.42 [112]	.53 [13]	.27 [16]												

CONNECTOR SIZE	TOLERANCES						
	B	C	E	K DIA.	L	N	O.D.
-8C THRU -25	±.06	±.04	±.02	±.02	±.09	±.03	±.01
-26 THRU -34	±.08	±.04	±.02	±.02	±.12	±.03	±.01
-35 AND UP	±.09	±.06	±.02	±.02	±.15	±.06	±.01

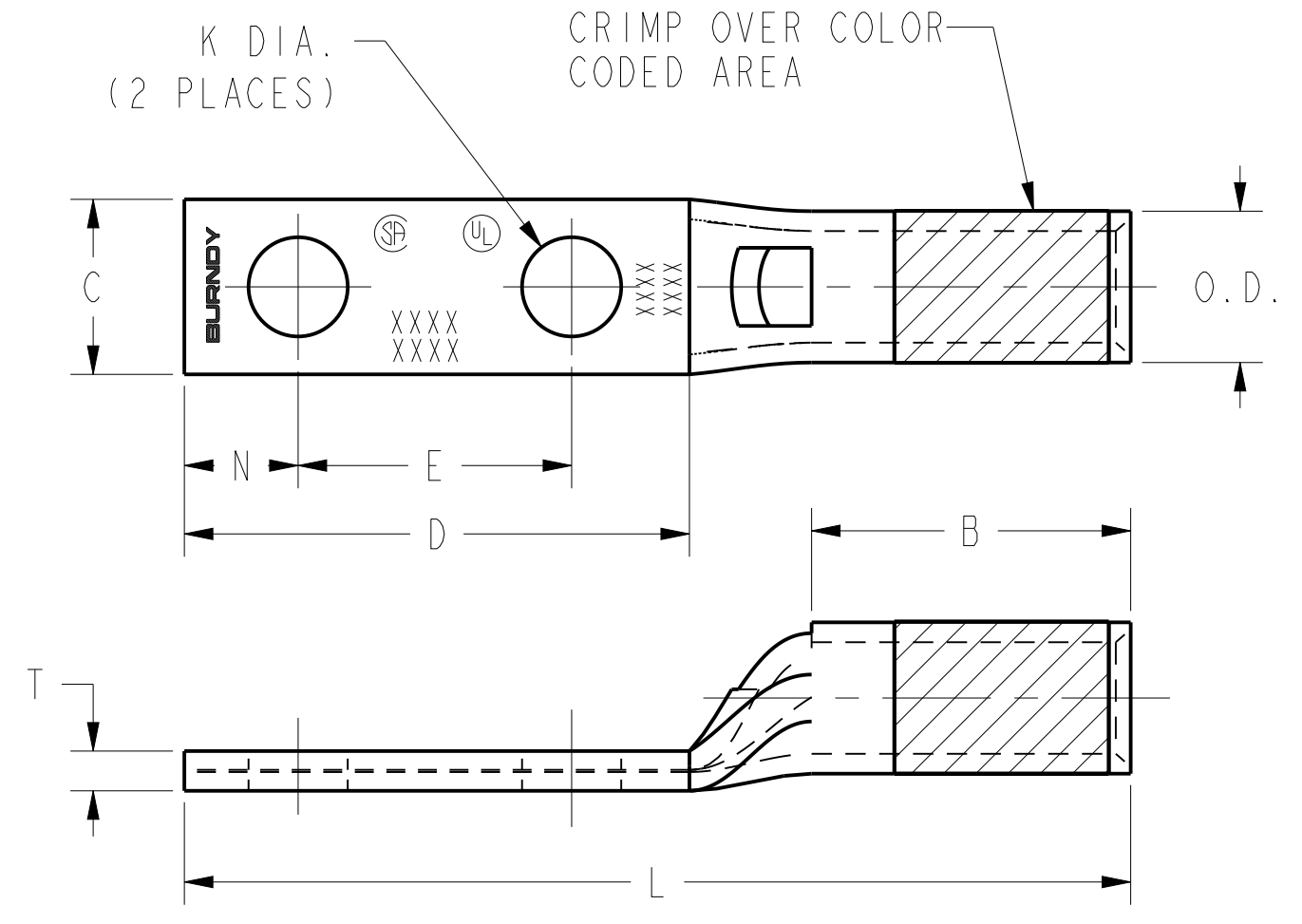


FIG. 2

- NOTES:
- MATERIAL: COPPER TUBING.
 - FINISH: TIN PLATED.
 - CAT NO. PUADP-1 ADAPTOR IS REQUIRED TO USE "U" DIES IN Y46 SERIES TOOLS.
 - DIMENSIONS IN BRACKETS [] ARE IN MILLIMETERS ROUNDED OFF TO THE NEAREST MILLIMETER, UNLESS OTHERWISE NOTED, AND ARE FOR REFERENCE ONLY.
 - CAT. NO. PT6515 ADAPTER IS REQUIRED TO USE "U" TYPE DIES IN Y45 TOOLS.

TO ORDER BURNDY® PRODUCTS CALL		HYLUG™ COPPER (NARROW TONGUE)	
UNITED STATES 1-800-346-4175 (LONDONDERRY, NH)		ITEM NO: N/A	
CANADA: 1-800-361-6975 (QUEBEC) 1-800-387-6487 (ALL OTHER PROVINCES)		CAT. NO: YA-L-NT-(TABLE)	
FOR PRODUCT INFO: http://www.burndy.com		DRAWN BY: AUGUSTIN.S 07/03/10	
		CHECKER: --	
		DSN APPVL: J MICHAUD 06/11/11	
		MFG APPVL: T THRELFALL 06/23/11	
		QA APPVL: T WATTS 06/13/11	
		MKT APPVL: J SYLVIA 06/13/11	
		SCALE: 3:1	
		PROD FAM: CM&R COMPRESSION	
		DRAWING NO	
		PROJECT #: --	
		SIZE	
		30003952	
		DOCUMENT TYPE: Sales	
		SHEET 4 OF 12	
		REL LEVEL: Released	

REV	DATE	DESCRIPTION	ECO	BY	C'K'
M	01/09/2015 00:00:00 AM	FOCUS REQUEST # 1501023	38933	MS	MB

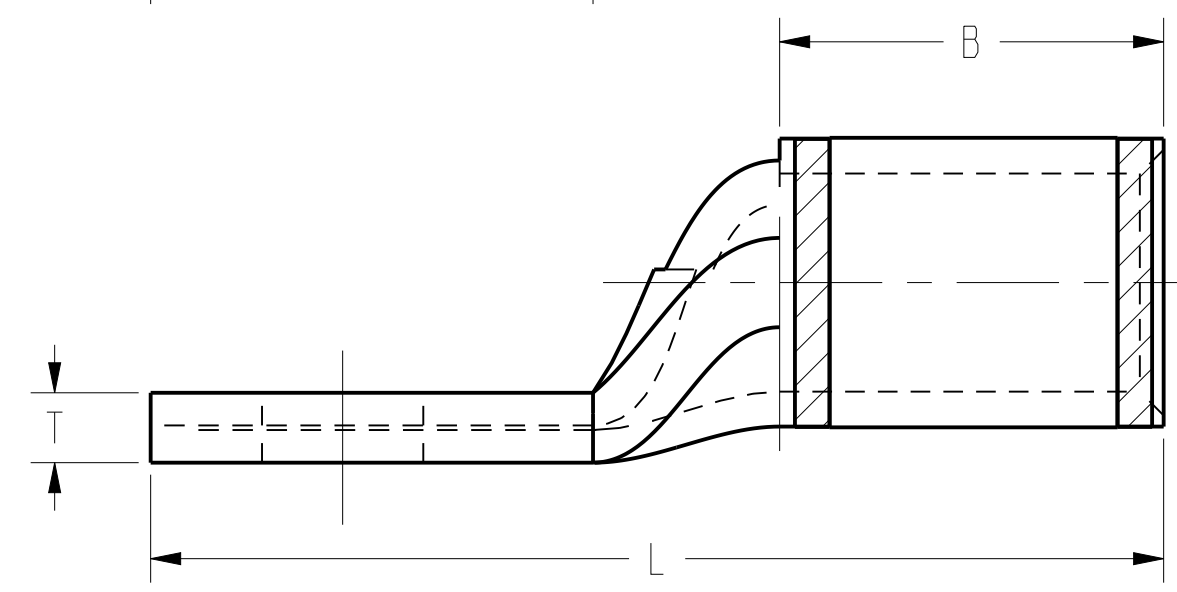
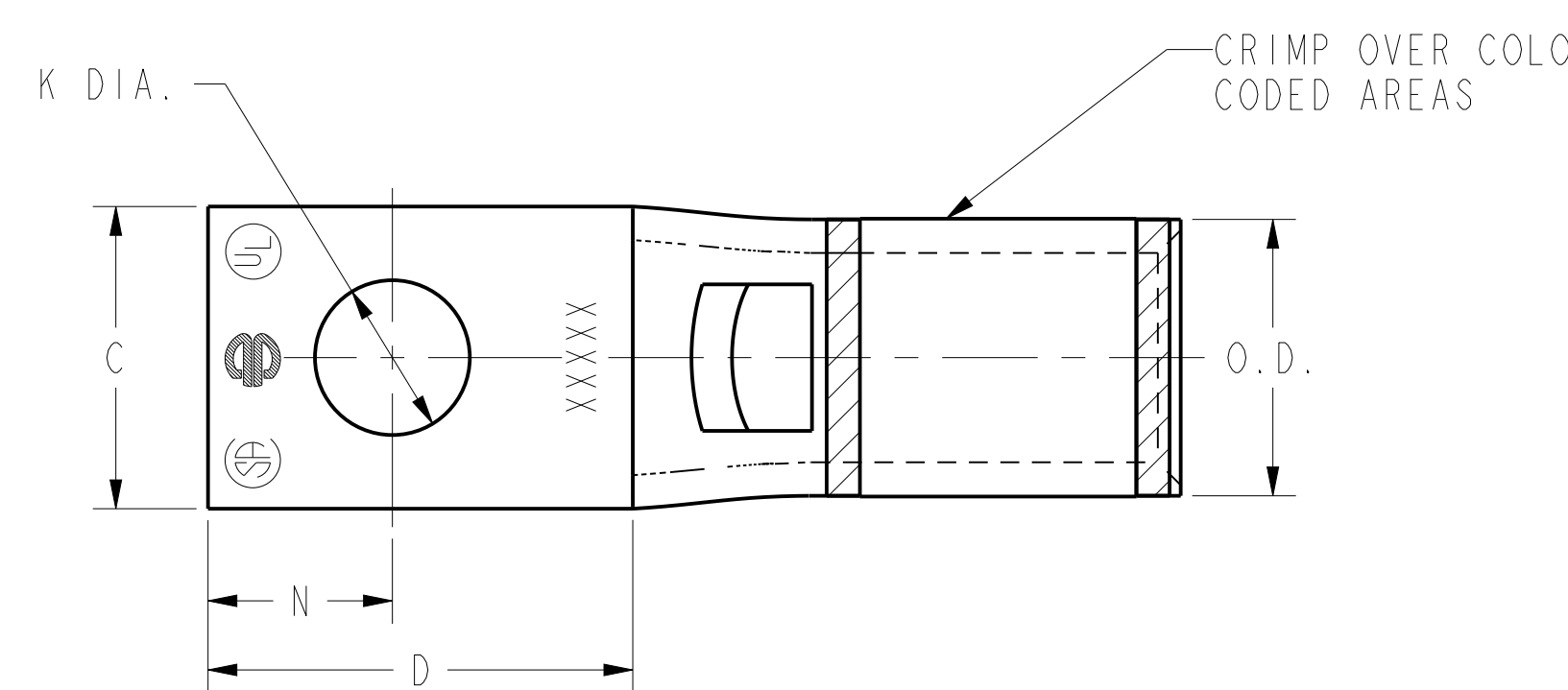
REV: PEO200

CATALOG NUMBER	FIG. NO.	CONDUCTOR		STUD HOLE SIZE	DIMENSIONS								DIELESS (# OF CRIMPS)	INSTALLATION TOOLING								WIRE STRIP LENGTH	
		AWG	MM ²		O.D.	B	C	D MIN.	K DIA.	L	N	T		MECHANICAL		HYDRAULIC							
														MD6, OUR840, MD7-34R	BCT500HS, Y500CTHS	Y35, Y39, Y750, PAT750	Y46 PAT46	Y45	Y48	Y60	COLOR CODE		DIE INDEX
YAV4CLNT10FX	3	#4 AWG #4 WELD 91/24 105/24	---	#10	.38 [10]	.50 [13]	.41 [10]	.52 [13]	.21 [5]	1.32 [34]	.25 [6]	.09 [2]	MY29-11(1) YIMRTC(2) Y81KFT(1) Y81KFTMBH(1) PAT81KFT-18V(1)	W4CRT(1) X4CRT(1) W4CVT(1)	W4CRT(1) W4CVT(1) X4CRT(1)	U4CRT(1)	U4CRT(1)	U4CRT(1)	--	--	GRAY	8	1/2"
YAV2CLNT14FX	3	#2 AWG #2 WELD 125/24 150/24	35	1/4"	.46 [12]	.63 [16]	.46 [12]	.64 [16]	.27 [7]	1.71 [43]	.31 [8]	.10 [3]	YIMRTC(2) MY29-11(1) Y81KFT(1) Y81KFTMBH(1) PAT81KFT-18V(1)	W2CVT(1) W2CRT(1) X2CRT(1)	W2CVT(1) W2CRT(1) X2CRT(1)	U2CRT(1)	U2CRT(1)	U2CRT(1)	--	--	BROWN	10	11/16"
YAV2CLNT516FX	3			5/16"	.46 [12]	.63 [16]	.44 [11]	.70 [18]	.33 [8]	1.78 [45]	.34 [9]	.10 [3]											
YAV25LNT14FX	3			1/4"	.56 [14]	.69 [18]	.67 [17]	.64 [16]	.27 [7]	1.75 [44]	.31 [8]	.12 [3]											
YAV25LNT516FX	3	1/0 AWG 1/0 WELD 275/24	50	5/16"	.56 [14]	.69 [18]	.67 [17]	.64 [16]	.33 [8]	1.81 [46]	.34 [9]	.12 [3]	MY29-11(1) Y81KFT(1) Y81KFTMBH(1) PAT81KFT-18V(1)	W25VT(2) W25RT(2) X25RT(2)	W25VT(2) W25RT(2) X25RT(2)	U25RT(1)	U25RT(1)	U25RT(1)	--	--	PINK	12	11/16"
YAV25LNT38FX	3			3/8"	.56 [14]	.69 [18]	.76 [19]	.83 [21]	.41 [10]	1.94 [49]	.41 [10]	.13 [3]											
YAV26LNT516FX	3			5/16"	.63 [16]	.81 [21]	.87 [22]	.70 [18]	.33 [8]	1.98 [50]	.34 [9]	.13 [3]	MY29-11(1) Y644HS(1) Y81KFT(1) Y81KFTMBH(1) PAT81KFT-18V(1)	W26VT(2) W26RT(2) X26RT(2)	W26VT(2) W26RT(2) X26RT(2)	U26RT(1)	U26RT(1)	U26RT(1)	--	--	BLACK	13	13/16"
YAV26LNT38FX	3	2/0 AWG 2/0 WELD 325/24	70	3/8"	.63 [16]	.81 [21]	.87 [22]	.83 [21]	.41 [10]	2.11 [54]	.41 [10]	.13 [3]											
YAV26LNT12FX	3			1/2"	.63 [16]	.81 [21]	.87 [22]	1.08 [27]	.53 [13]	2.36 [60]	.53 [13]	.13 [3]											
YAV28LNT516FX	3			5/16"	.77 [20]	1.03 [26]	.94 [24]	.70 [18]	.33 [8]	2.29 [58]	.34 [9]	.15 [4]	MY29-11(1) Y644HS(1) Y81KFT(1) Y81KFTMBH(1) PAT81KFT-18V(1)	W28VT(2) W28RT(2) X28RT(3)	W28VT(2) W28RT(2) X28RT(3)	U28RT(1)	U28RT(1)	U28RT(1)	C28R(1)	L28RT(1)	PURPLE	15	1-1/16"
YAV28LNT38FX	3	4/0 AWG 4/0 WELD 550/24	---	3/8"	.77 [20]	1.03 [26]	.94 [24]	.83 [21]	.41 [10]	2.42 [61]	.41 [10]	.15 [4]											
YAV28LNT12FX	3			1/2"	.77 [20]	1.03 [26]	.76 [19]	1.08 [27]	.53 [13]	2.67 [68]	.53 [13]	.15 [4]											
YA30LNT516FX	3	250 FLEX CLASS G: 259 STR CLASS H: 427 STR 4/0 FLEX CLASS I, 532 STR CLASS K, 2107 STR CLASS M, 5320 STR DLD, 550/24	---	5/16"	.81 [21]	1.03 [26]	.96 [24]	.72 [18]	.33 [8]	2.49 [63]	.34 [9]	.26 [6]	Y644HS(1) Y81KFT(1) Y81KFTMBH(1) PAT81KFT-18V(1)	W29VT(2)	W29VT(1)	U29RT(1)	U29RT(1)	U29RT(1)	--	--	YELLOW	16	1-1/8"
YA31LNT12FX	3	250 FLEX 637/24 CLASS I,K,M	150	1/2"	.88 [22]	1.06 [27]	.96 [24]	1.20 [30]	.53 [13]	2.75 [70]	.53 [13]	.18 [4]	Y644HS(1) Y81KFT(1) Y81KFTMBH(1) PAT81KFT-18V(1)	W30VT(2)	W30VT(2) W30RT(2)	U30RT(2)	U30RT(2)	U30RT(2)	C30R(1)	L30RT(1)	WHITE	17	1-1/8"

TOLERANCE BLOCK

CONNECTOR SIZE	TOLERANCES						
	B	C	E	K DIA.	L	N	O.D.
-8C THRU -25	±.06	±.04	±.02	±.02	±.09	±.03	±.01
-26 THRU -34	±.08	±.04	±.02	±.02	±.12	±.03	±.01
-35 AND UP	±.09	±.06	±.02	±.02	±.15	±.06	±.01

NOTES:
 1. MATERIAL: COPPER TUBING.
 2. FINISH: TIN PLATED.
 3. CAT NO. PUADP-1 ADAPTOR IS REQUIRED TO USE "U" DIES IN Y46 SERIES TOOLS.
 4. DIMENSIONS IN BRACKETS [] ARE IN MILLIMETERS ROUNDED OFF TO THE NEAREST MILLIMETER, UNLESS OTHERWISE NOTED, AND ARE FOR REFERENCE ONLY.
 5. CAT. NO. PT6515 ADAPTER IS REQUIRED TO USE "U" TYPE DIES IN Y45 TOOLS.
 6. THE YA30LNT516FX IS NOT UL/CSA LISTED USING ANY CLASS OF 4/0 FLEX COPPER CONDUCTOR.



TO ORDER BURNDY® PRODUCTS CALL
 UNITED STATES
 1-800-346-4175 (LONDONDERRY, NH)
 CANADA:
 1-800-361-6975 (QUEBEC)
 1-800-387-6487 (ALL OTHER PROVINCES)
 FOR PRODUCT INFO: <http://www.burndy.com>

HYLUG™ COPPER (NARROW TONGUE)

ITEM NO:	N/A
CAT. NO:	YA-L-NT-(TABLE)
DRAWN BY:	AUGUSTIN.S 07/03/10
CHECKER:	--
DSN APPVL:	J MICHAUD 06/11/11
MFG APPVL:	T THRELFALL 06/23/11
QA APPVL:	T WATTS 06/13/11
MKT APPVL:	J SYLVIA 06/13/11
PROD FAM:	CM&R COMPRESSION
PROJECT #:	--
DOCUMENT TYPE:	Sales
REL LEVEL:	Released

BURNDY

SCALE: 3:1

REV	DATE	DESCRIPTION	ECO	BY	C'H'K.
M	01/09/2015 00:00:00 AM	FOCUS REQUEST # 1501023	38933	MS	MB

DRAWING NO: 30003952
 SHEET 5 OF 12

DRAWING NO. 30003952	7				6				5				4				3				2		1	
	CATALOG NUMBER	FIG. NO.	CONDUCTOR		STUD HOLE SIZE	DIMENSIONS							DIELESS (# OF CRIMPS)	INSTALLATION TOOLING										WIRE STRIP LENGTH
			AWG	MM ²		O.D.	B	C	D MIN.	K DIA.	L	N		T	MECHANICAL		HYDRAULIC							
														MD6, OUR840, MD7-34R	BCT500HS, Y500CTHS	Y35, Y39, Y750, PAT750	Y46 PAT46	Y45	Y48	Y60				
YA32LNT516FX	3	313.1 kcmil 775/24 300 FLEX	185	5/16"	.95 [24]	1.19 [30]	.96 [24]	.70 [18]	.33 [8]	2.65 [65]	.34 [9]	.19 [5]	Y644HS(1) Y81KFT(1) Y81KFTMBH(1) PAT81KFT-18V(1)	W31VT(2)	W31VT(2) W31RT(2)	U31RT(2)	U31RT(2)	U31RT(2)	C31R(1)	L31RT(1)	RED	18	1-1/4"	
YA32LNT38FX	3			3/8"	.95 [24]	1.19 [30]	.96 [24]	.83 [21]	.41 [10]	2.68 [68]	.41 [10]	.19 [5]												
YA34LNT38FX	3	373.7 kcmil 925/24 350 FLEX	240	3/8"	1.06 [27]	1.27 [32]	.96 [24]	.85 [22]	.41 [10]	2.87 [73]	.41 [10]	.23 [6]	Y644HS(1) Y81KFT(1) Y81KFTMBH(1) PAT81KFT-18V(1)	W32VT(2)	W32VT(2) W32RT(2)	U32RT(2)	U32RT(2)	U32RT(2)	C32R(2)	L32RT(1)	BLUE	19	1-5/16"	
YA34LNT12FX	3			1/2"	1.06 [27]	1.27 [32]	.96 [24]	1.10 [28]	.53 [13]	3.12 [79]	.53 [13]	.23 [6]												
YA38LNT12FX	3	535.3 kcmil 1325/24 500 FLEX	300	1/2"	1.25 [32]	1.45 [37]	1.63 [41]	1.08 [27]	.53 [13]	3.41 [87]	.53 [13]	.27 [7]	Y644HS(1) Y81KFT(1) Y81KFTMBH(1) PAT81KFT-18V(1)	---	---	U38XRT(2)	U38XRT(2)	U38XRT(2)	---	L38RT(1)	PINK	L99	1-7/16"	
YA38LNTM20FX	3			M20	1.25 [32]	1.45 [37]	1.63 [41]	1.51 [38]	.85 [22]	3.84 [98]	.75 [19]	.27 [7]												
YA44LNT38FX	3	777.7 kcmil 1925/24 750 FLEX	500	3/8"	1.50 [38]	1.65 [42]	1.50 [38]	1.20 [30]	.41 [10]	3.79 [96]	.53 [13]	.33 [8]	Y644HS(1) Y81KFT(2) Y81KFTMBH(2) PAT81KFT-18V(2)	---	---	U44ZRT(2)	U44ZRT(2)	U44ZRT(2)	C44R(1)	L44RT(1)	YELLOW	L115	1-5/8"	
YA44LNT12FX	3			1/2"	1.50 [38]	1.65 [42]	1.62 [41]	1.26 [32]	.56 [14]	3.98 [101]	.62 [16]	.33 [8]												

TOLERANCE BLOCK							
CONNECTOR SIZE	TOLERANCES						
	B	C	E	K DIA.	L	N	O.D.
-8C THRU -25	±.06	±.04	±.02	±.02	±.09	±.03	±.01
-26 THRU -34	±.08	±.04	±.02	±.02	±.12	±.03	±.01
-35 AND UP	±.09	±.06	±.02	±.02	±.15	±.06	±.01

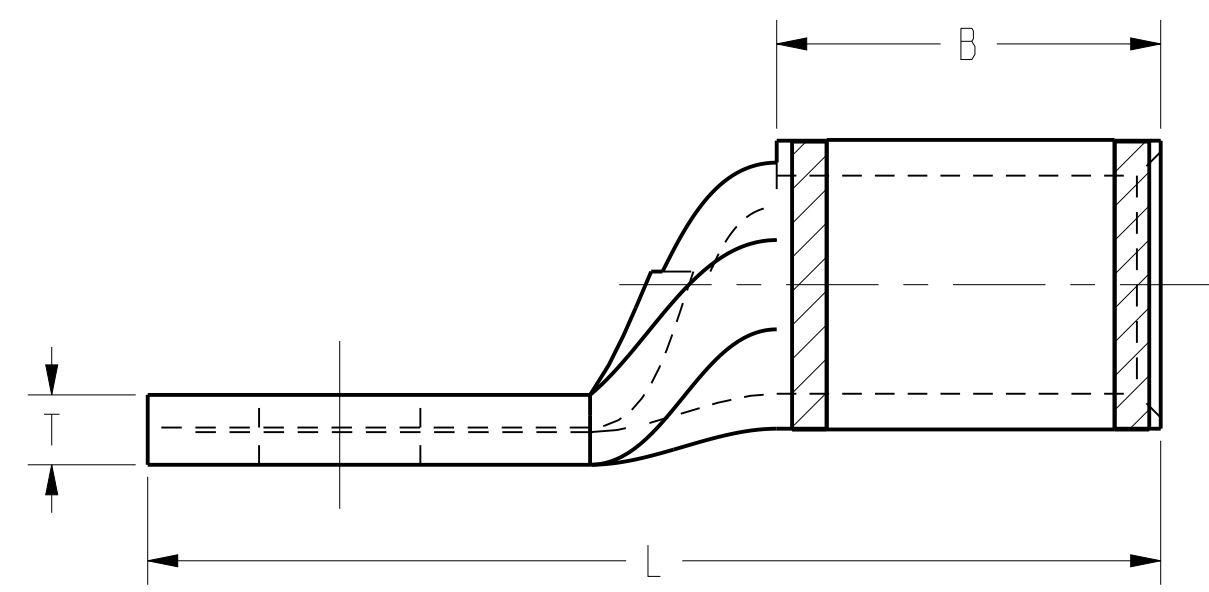
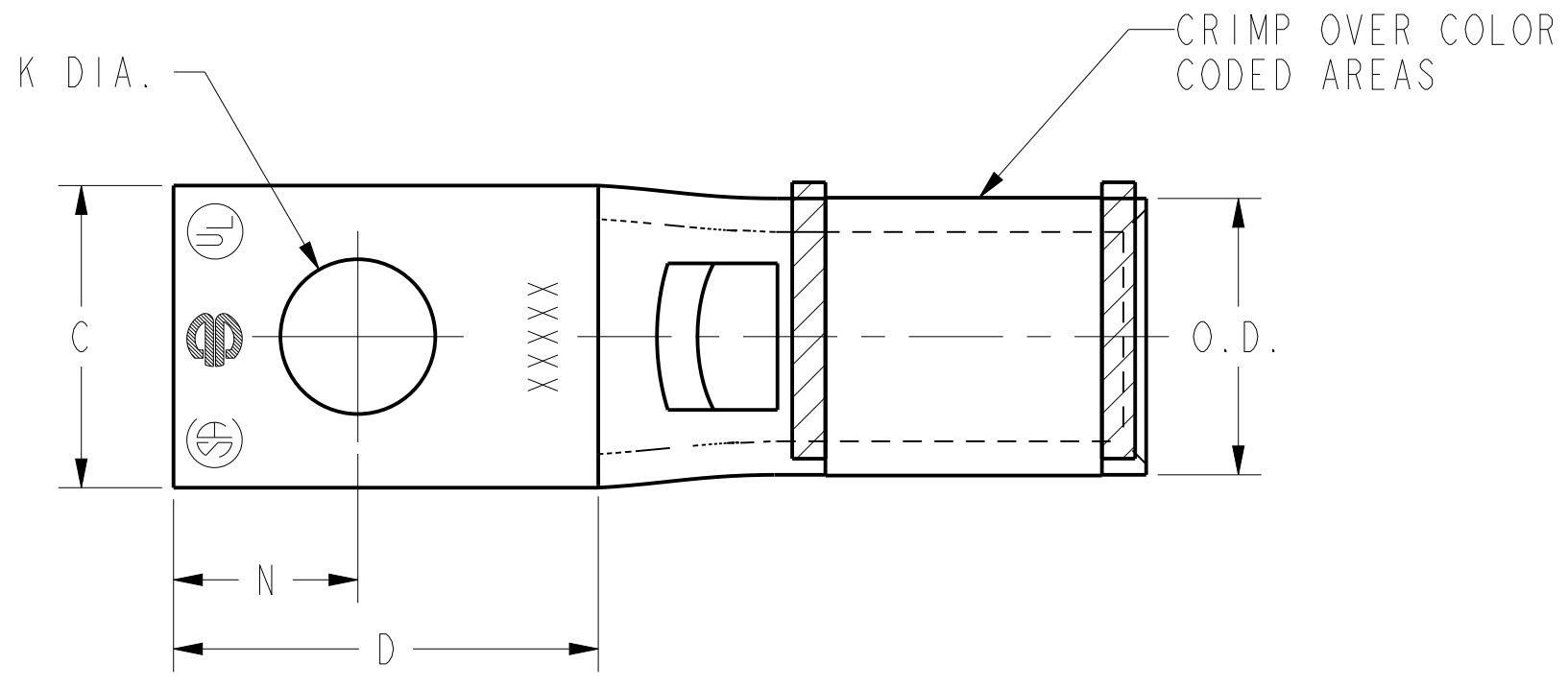


FIG. 3

- NOTES:
- MATERIAL: COPPER TUBING.
 - FINISH: TIN PLATED.
 - CAT NO. PUADP-1 ADAPTOR IS REQUIRED TO USE "U" DIES IN Y46 SERIES TOOLS.
 - DIMENSIONS IN BRACKETS [] ARE IN MILLIMETERS ROUNDED OFF TO THE NEAREST MILLIMETER, UNLESS OTHERWISE NOTED, AND ARE FOR REFERENCE ONLY.
 - CAT. NO. PT6515 ADAPTER IS REQUIRED TO USE "U" TYPE DIES IN Y45 TOOLS.

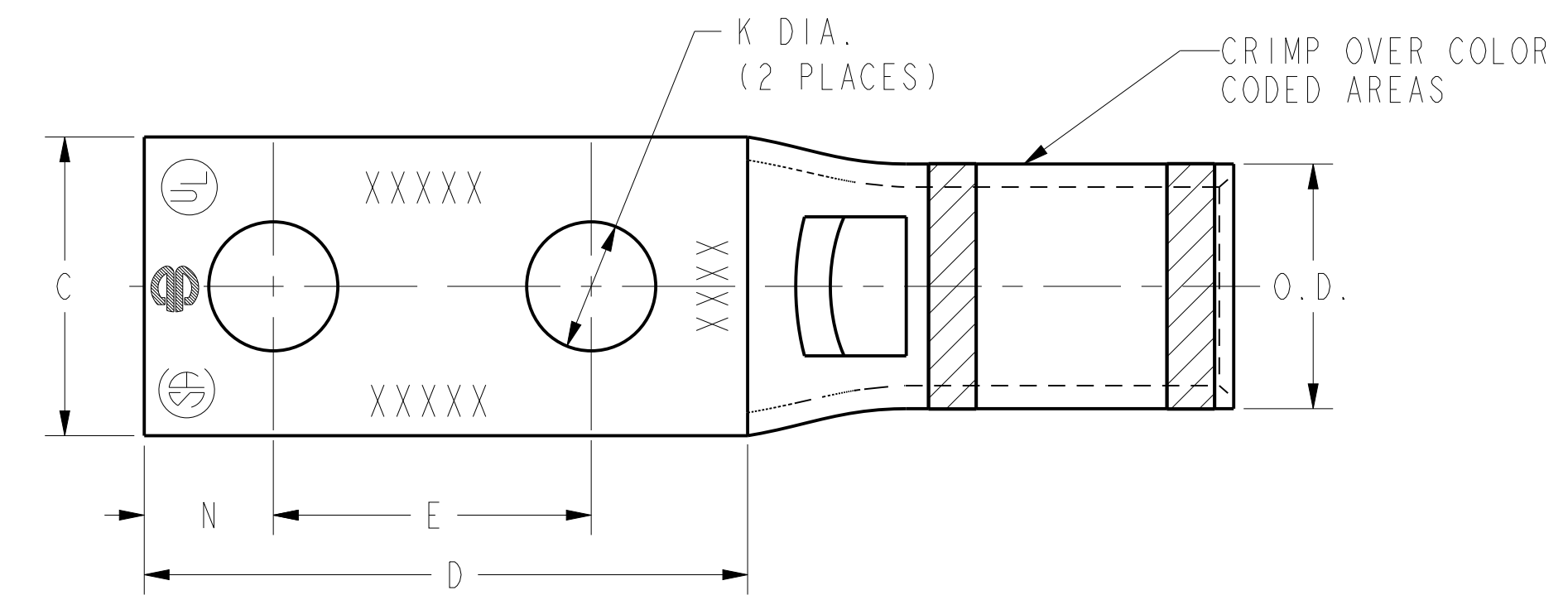
TO ORDER BURNDY® PRODUCTS CALL		HYLUG™ COPPER (NARROW TONGUE)	
UNITED STATES 1-800-346-4175 (LONDONDERRY, NH)		ITEM NO: N/A	
CANADA: 1-800-361-6975 (QUEBEC) 1-800-387-6487 (ALL OTHER PROVINCES)		CAT. NO: YA-L-NT-(TABLE)	
FOR PRODUCT INFO: http://www.burndy.com		DRAWN BY: AUGUSTIN.S 07/03/10	
		CHECKER: -- --	
		DSN APPVL: J MICHAUD 06/11/11	
		MFG APPVL: T THRELFALL 06/23/11	
		QA APPVL: T WATTS 06/13/11	
		MKT APPVL: J SYLVIA 06/13/11	
		SCALE: 3:1	
		PROD FAM: CM&R COMPRESSION	
		DRAWING NO	
		PROJECT #: --	
		SIZE	
		30003952	
		DOCUMENT TYPE: Sales	
		SHEET 6 OF 12	
		REL LEVEL: Released	

REV	DATE	DESCRIPTION	ECO	BY	C'K'K.
M	01/09/2015 00:00:00 AM	FOCUS REQUEST # 1501023	38933	MS	MB

REV: PEO200

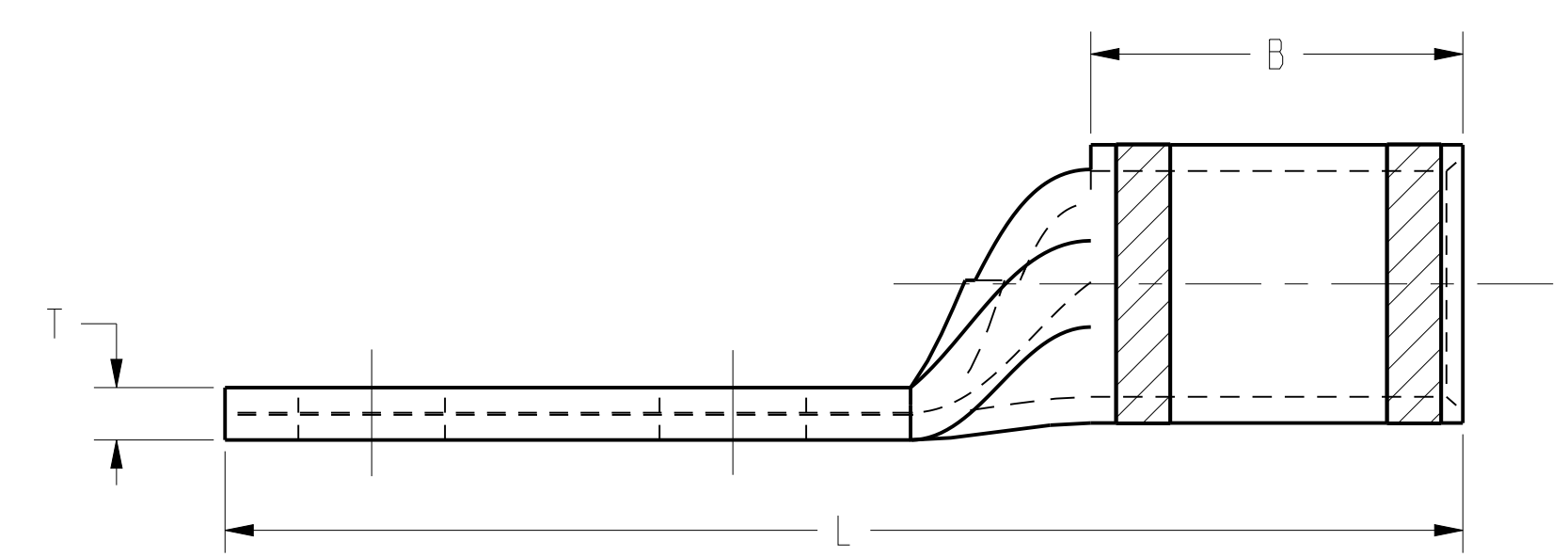
DRAWING NO. 30003952	7	6	5	4	3	2	1	CATALOG NUMBER	FIG. NO.	CONDUCTOR		STUD HOLE SIZE	DIMENSIONS											INSTALLATION TOOLING										WIRE STRIP LENGTH	
										AWG	MM ²		O.D.	B	C	D MIN.	E	K DIA.	L	N	T	DIELESS (# OF CRIMPS)	MECHANICAL		HYDRAULIC								COLOR CODE		DIE INDEX
																							MD6, OUR840, MD7-34R	BCT500HS, Y500CTHS	Y35, Y39, Y750, PAT750	Y46 PAT46	Y45	Y48	Y60						
YAV29L2NT38FX	4	4/0 AWG 4/0 WELD 550/24	---	3/8"	.80 [20]	1.03 [26]	.94 [24]	1.84 [47]	1.00 [25]	.41 [10]	3.43 [87]	.41 [10]	.16 [4]	Y644HS(1) Y81KFT(1) Y81KFTMBH(1) PAT81KFT-18V(1)	W29VT(2) X29RT(4)	W29VT(2) W29RT(2) X29RT(4)	U29RT(1)	U29RT(1)	U29RT(1)	C29R(1)	L29RT(1)	YELLOW	16	1-1/16"											
YA31L2NT38FX	4	250 FLEX 637/24 CLASS I, K, M	150	3/8"	.88 [22]	1.06 [27]	.96 [24]	1.84 [47]	1.00 [25]	.41 [10]	3.51 [89]	.41 [10]	.18 [4]	Y644HS(1) Y81KFT(1) Y81KFTMBH(1) PAT81KFT-18V(1)	W30VT(2)	W30VT(2) W30RT(2)	U30RT(2)	U30RT(2)	U30RT(2)	C30R(2)	L30RT(1)	WHITE	17	1-1/8"											
YA32L2NT38FX	4	313.1 kcmil 775/24 300 FLEX	185	3/8"	.95 [24]	1.19 [30]	.96 [24]	1.84 [47]	1.00 [25]	.41 [10]	3.69 [94]	.41 [10]	.20 [5]	Y644HS(1) Y81KFT(1) Y81KFTMBH(1) PAT81KFT-18V(1)	W31VT(2)	W31VT(2) W31RT(2)	U31RT(2)	U31RT(2)	U31RT(2)	C31R(2)	L31RT(1)	RED	18	1-1/4"											
YA34L2NT38FX	4	373.7 kcmil 925/24 350 FLEX	240	3/8"	1.06 [27]	1.27 [32]	.96 [24]	2.58 [66]	1.00 [25]	.41 [10]	3.88 [99]	.41 [10]	.23 [6]	Y644HS(1) Y81KFT(1) Y81KFTMBH(1) PAT81KFT-18V(1)	W32VT(2)	W32VT(2) W32RT(2)	U32RT(2)	U32RT(2)	U32RT(2)	C32R(2)	L32RT(1)	BLUE	19	1-5/16"											
YA36L2ENT38E10FX	4	444.4 kcmil 1100/24 450 FLEX	---	3/8"	1.19 [30]	1.38 [35]	1.50 [38]	2.30 [58]	1.25 [32]	.41 [10]	4.49 [114]	.50 [13]	.27 [7]	Y644HS(1) Y81KFT(1) Y81KFTMBH(1) PAT81KFT-18V(1)	----	----	U34RT(2)	U34RT(2)	U34RT(2)	C34R(1)	L34RT(1)	BROWN	20	1-7/16"											
YA36L2NT38FX	4			3/8"	1.19 [30]	1.38 [35]	1.63 [41]	2.03 [51]	1.00 [25]	.41 [10]	4.24 [108]	.50 [13]	.27 [7]	Y644HS(1) Y81KFT(1) Y81KFTMBH(1) PAT81KFT-18V(1)	----	----	U38XRT(2)	U38XRT(2)	U38XRT(2)	--	L38RT(1)	PINK	L99	1-7/16"											
YA38L2ENT38FX	4	535.3 kcmil 1325/24 500 FLEX	300	3/8"	1.25 [32]	1.45 [37]	1.50 [38]	2.03 [51]	1.00 [25]	.41 [10]	4.35 [110]	.50 [13]	.27 [7]	Y644HS(1) Y81KFT(1) Y81KFTMBH(1) PAT81KFT-18V(1)	----	----	U38XRT(2)	U38XRT(2)	U38XRT(2)	--	L38RT(1)	PINK	L99	1-7/16"											
YA38L2NT38FX	4			3/8"	1.25 [32]	1.45 [37]	1.63 [41]	2.03 [51]	1.00 [25]	.41 [10]	4.35 [110]	.50 [13]	.27 [7]	Y644HS(1) Y81KFT(1) Y81KFTMBH(1) PAT81KFT-18V(1)	----	----	U38XRT(2)	U38XRT(2)	U38XRT(2)	--	L38RT(1)	PINK	L99	1-7/16"											
YA38L2NNTFX	4			1/2"	1.25 [32]	1.45 [37]	1.63 [41]	3.03 [77]	1.75 [44]	.56 [14]	5.35 [136]	.63 [16]	.27 [7]	Y644HS(1) Y81KFT(1) Y81KFTMBH(1) PAT81KFT-18V(1)	----	----	U39RT(2)	U39RT(2)	U39RT(2)	C39R(1)	L39RT(1)	BLACK	24	1-5/16"											
YA40L2NNTFX	4	646 kcmil 1600/24 650 FLEX	400	1/2"	1.35 [34]	1.42 [36]	1.63 [41]	3.03 [77]	1.75 [44]	.56 [14]	5.38 [137]	.63 [16]	.30 [8]	Y644HS(1) Y81KFT(2) Y81KFTMBH(2) PAT81KFT-18V(2)	----	----	U39RT(2)	U39RT(2)	U39RT(2)	C39R(1)	L39RT(1)	BLACK	24	1-5/16"											
YA44L2NNTFX	4	777.7 kcmil 1925/24 750 FLEX	500	1/2"	1.50 [38]	1.65 [42]	1.63 [41]	3.03 [77]	1.75 [44]	.56 [14]	5.74 [146]	.63 [16]	.33 [8]	Y644HS(1) Y81KFT(2) Y81KFTMBH(2) PAT81KFT-18V(2)	----	----	U44XRT(2)	U44XRT(2)	U44XRT(2)	C44R(1)	L44RT(1)	YELLOW	L115	1-5/8"											
YA44L2NT38FX	4			3/8"	1.50 [38]	1.65 [42]	1.63 [41]	2.03 [51]	1.00 [25]	.41 [10]	4.74 [120]	.50 [13]	.33 [8]	Y644HS(1) Y81KFT(2) Y81KFTMBH(2) PAT81KFT-18V(2)	----	----	U44XRT(2)	U44XRT(2)	U44XRT(2)	C44R(1)	L44RT(1)	YELLOW	L115	1-5/8"											
YA45L2NT38FX	4	929 kcmil 2300/24	---	3/8"	1.69 [43]	2.00 [51]	1.70 [43]	2.02 [51]	1.00 [25]	.41 [10]	5.18 [132]	.50 [13]	.38 [10]	----	----	----	P44RT(2)	P45RT(2)	S45RT(2)	C45R(1)	L45RT(1)	WHITE	27	2-1/16"											

B



TOLERANCE BLOCK							
CONNECTOR SIZE	TOLERANCES						
	B	C	E	K DIA.	L	N	O.D.
-8C THRU -25	±.06	±.04	±.02	±.02	±.09	±.03	±.01
-26 THRU -34	±.08	±.04	±.02	±.02	±.12	±.03	±.01
-35 AND UP	±.09	±.06	±.02	±.02	±.15	±.06	±.01

- NOTES:
- MATERIAL: COPPER TUBING.
 - FINISH: TIN PLATED.
 - CAT NO. PUADP-1 ADAPTOR IS REQUIRED TO USE "U" DIES IN Y46 SERIES TOOLS.
 - DIMENSIONS IN BRACKETS [] ARE IN MILLIMETERS ROUNDED OFF TO THE NEAREST MILLIMETER, UNLESS OTHERWISE NOTED, AND ARE FOR REFERENCE ONLY.
 - CAT. NO. PT6515 ADAPTOR IS REQUIRED TO USE "U" TYPE DIES IN Y45 TOOLS.



REV	DATE	DESCRIPTION	ECO	BY	C'H'K.
M	01/09/2015 00:00:00 AM	FOCUS REQUEST # 1501023	38933	MS	MB

TO ORDER BURNDY® PRODUCTS CALL
 UNITED STATES
 1-800-346-4175 (LONDONDERRY, NH)
 CANADA:
 1-800-361-6975 (QUEBEC)
 1-800-387-6487 (ALL OTHER PROVINCES)
 FOR PRODUCT INFO: <http://www.burndy.com>

HYLUG™ COPPER (NARROW TONGUE)

ITEM NO:	N/A
CAT. NO.:	YA-L-NT-(TABLE)
DRAWN BY:	AUGUSTIN.S 07/03/10
CHECKER:	--
DSN APPVL:	J MICHAUD 06/11/11
MFG APPVL:	T THRELFALL 06/23/11
QA APPVL:	T WATTS 06/13/11
MKT APPVL:	J SYLVIA 06/13/11
PROD FAM:	CM&R COMPRESSION
PROJECT #:	--
DOCUMENT TYPE:	Sales
REL LEVEL:	Released

BURNDY

SCALE: 3:1

DRAWING NO.	30003952
REV	M
SHEET	7 OF 12

REV: PEO200

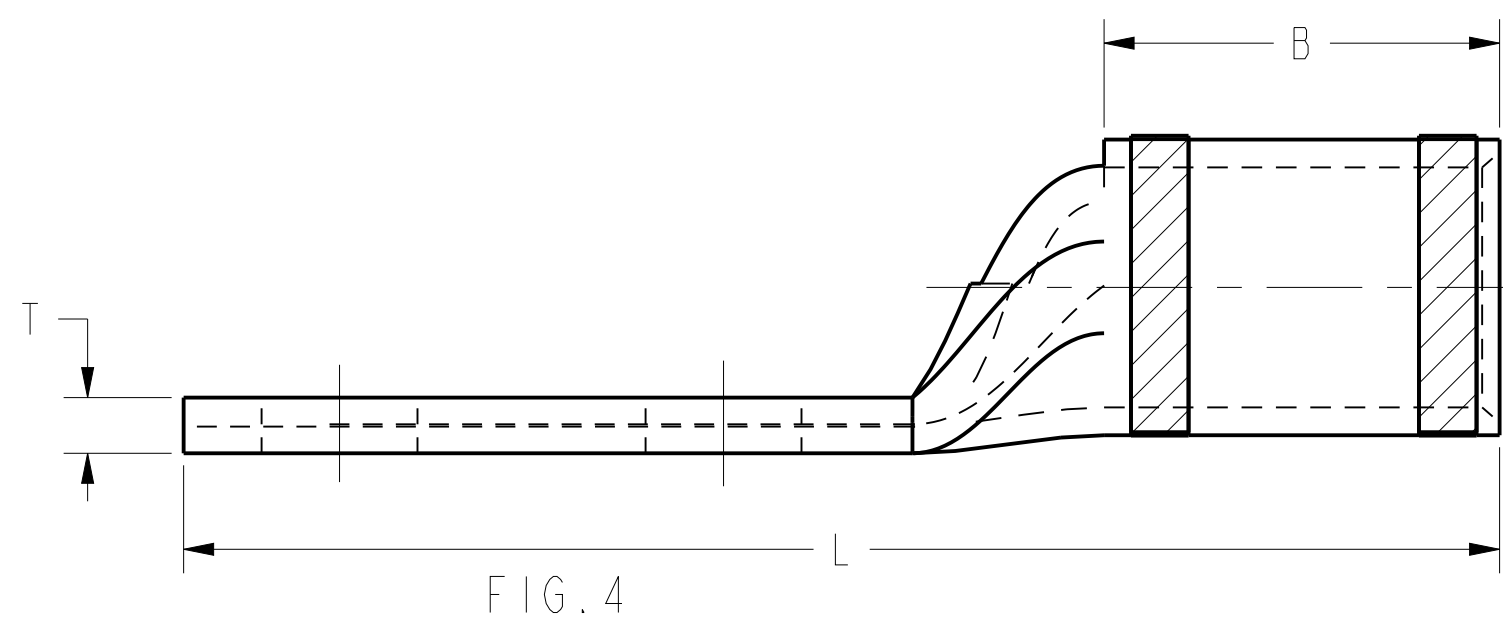
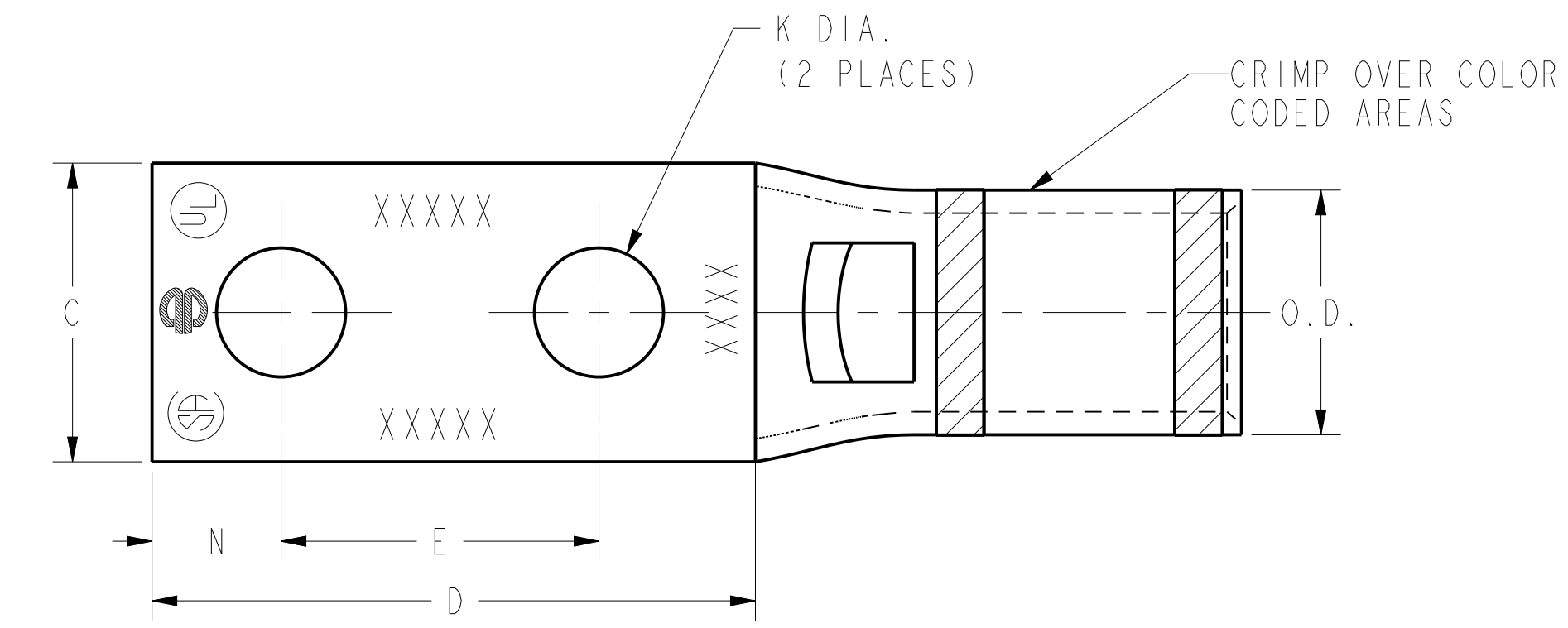
A

B

D

DRAWING NO. 30003952	7	6	5	4	3	2	1	INSTALLATION TOOLING																					
								CATALOG NUMBER	FIG. NO.	CONDUCTOR		STUD HOLE SIZE	DIMENSIONS							DIELESS (# OF CRIMPS)	MECHANICAL		HYDRAULIC						WIRE STRIP LENGTH
										AWG	MM ²		O.D.	B	C	D MIN.	E	K DIA.	L		N	T	MD6, OUR840, MD7-34R	BCT500HS, Y500CTHS	Y35, Y39, Y750 PAT750	Y46 PAT46	Y45	Y48	
YAV4CL2NT10E1FX	4	#4 AWG #4 WELD 91/24 105/24	---	#10	.38 [10]	.50 [13]	.41 [10]	1.52 [37]	1.00 [25]	.21 [5]	2.33 [59]	.25 [6]	.09 [2]	MY29-11(1) Y1MRTC(2) Y81KFT(1) Y81KFTMBH(1) PAT81KFT-18V(1)	W4CVT(1) W4CRT(1) X4CRT(1)	W4CVT(1) W4CRT(1) X4CRT(1)	U4CRT(1)	U4CRT(1)	U4CRT(1)	--	--	GRAY	8	9/16"					
YAV4CL2NT10E2FX	4				.38 [10]	.50 [13]	.41 [10]	1.52 [37]	.75 [19]	.21 [5]	2.08 [53]	.25 [6]	.09 [2]																
YAV4CL2NT10FX	4				.38 [10]	.50 [13]	.41 [10]	1.15 [29]	.63 [16]	.21 [5]	1.95 [50]	.25 [6]	.09 [2]																
YAV4CL2NT14FX	4				1/4"	.38 [10]	.50 [13]	.45 [11]	1.26 [32]	.63 [16]	.27 [7]	2.08 [53]	.31 [8]												.09 [2]				
YAV2CL2NT10FX	4	#2 AWG #2 WELD 125/24 150/24	35	#10	.46 [12]	.63 [16]	.48 [12]	1.15 [29]	.63 [16]	.21 [5]	2.14 [54]	.25 [6]	.10 [3]	MY29-11(1) Y1MRTC(2) Y81KFT(1) Y81KFTMBH(1) PAT81KFT-18V(1)	W2CVT(1) W2CRT(1) X2CRT(1)	W2CVT(1) W2CRT(1) X2CRT(1)	U2CRT(1)	U2CRT(1)	U2CRT(1)	--	--	BROWN	10	11/16"					
YAV2CL2NT14E1FX	4				1/4"	.46 [12]	.63 [16]	.48 [12]	1.65 [42]	1.00 [25]	.27 [7]	2.63 [67]	.31 [8]												.10 [3]				
YAV2CL2NT14FX	4				1/4"	.46 [12]	.63 [16]	.48 [12]	1.28 [33]	.63 [16]	.27 [7]	2.26 [57]	.31 [8]												.10 [3]				
YAV1CL2NT14FX	4	#1 AWG #1 WELD 175/24 225/24	---	1/4"	.51 [13]	.62 [16]	.50 [13]	1.28 [33]	.63 [16]	.27 [7]	2.28 [58]	.31 [8]	.12 [3]	MY29-11(1) Y81KFT(1) Y81KFTMBH(1) PAT81KFT-18V(1)	W1CVT(1) W1CRT-1(1) X1CRT-1(1)	W1CVT(1) W1CRT-1(1) X1CRT-1(1)	U1CRT-1(1)	U1CRT-1(1)	U1CRT-1(1)	--	--	GREEN	11	11/16"					
YAV1CL2NT516FX	4				5/16"	.51 [13]	.63 [16]	.58 [15]	1.70 [43]	1.00 [25]	.33 [8]	2.72 [69]	.34 [9]												.12 [3]				
YAV25L2NT14E1FX	4	1/0 AWG 1/0 WELD 275/24	50	1/4"	.56 [14]	.69 [18]	.64 [16]	1.65 [42]	1.00 [25]	.27 [7]	2.76 [70]	.31 [8]	.12 [3]	MY29-11(1) Y81KFT(1) Y81KFTMBH(1) PAT81KFT-18V(1)	W25VT(2) W25RT(2) X25RT(2)	W25VT(2) W25RT(2) X25RT(2)	U25RT(1)	U25RT(1)	U25RT(1)	--	--	PINK	12	11/16"					
YAV25L2NT14FX	4				1/4"	.56 [14]	.69 [18]	.64 [16]	1.28 [33]	.63 [16]	.27 [7]	2.39 [61]	.31 [8]												.12 [3]				
YAV25L2NT516FX	4				5/16"	.56 [14]	.69 [18]	.58 [15]	1.71 [44]	1.00 [25]	.33 [8]	2.82 [72]	.34 [9]												.12 [3]				
YAV26L2NT14FX	4	2/0 AWG 2/0 WELD 325/24	70	1/4"	.63 [16]	.81 [21]	.76 [19]	1.28 [33]	.63 [16]	.27 [7]	2.56 [65]	.31 [8]	.13 [3]	MY29-11(1) Y644HS(1) Y81KFT(1) Y81KFTMBH(1) PAT81KFT-18V(1)	W26VT(2) W26RT(2) X26RT(2)	W26VT(2) W26RT(2) X26RT(2)	U26RT(1)	U26RT(1)	U26RT(1)	--	--	BLACK	13	13/16"					
YAV26L2NT516FX	4				5/16"	.63 [16]	.81 [21]	.58 [15]	1.71 [44]	1.00 [25]	.33 [8]	2.99 [76]	.34 [9]												.13 [3]				
YAV26L2NT38FX	4				3/8"	.63 [16]	.81 [21]	.63 [16]	1.84 [47]	1.00 [25]	.41 [10]	3.23 [82]	.41 [10]												.13 [9]				
YAV28L2ENT14FX	4	4/0 AWG 4/0 WELD 550/24	---	1/4"	.77 [20]	1.03 [19]	.76 [19]	1.28 [33]	.63 [16]	.27 [7]	2.86 [73]	.31 [8]	.15 [4]	MY29-11(1) Y644HS(1) Y81KFT(1) Y81KFTMBH(1) PAT81KFT-18V(1)	W28VT(2) W28RT(2) X28RT(3)	W28VT(2) W28RT(2) X28RT(3)	U28RT(1)	U28RT(1)	U28RT(1)	C28R(1)	L28RT(1)	PURPLE	15	1-1/16"					
YAV28L2NT38FX	4				3/8"	.77 [20]	1.03 [19]	.94 [24]	1.84 [47]	1.00 [25]	.40 [10]	3.43 [87]	.41 [10]												.15 [4]				

TOLERANCE BLOCK							
CONNECTOR SIZE	TOLERANCES						
	B	C	E	K DIA.	L	N	O.D.
-8C THRU -25	±.06	±.04	±.02	±.02	±.09	±.03	±.01
-26 THRU -34	±.08	±.04	±.02	±.02	±.12	±.03	±.01
-35 AND UP	±.09	±.06	±.02	±.02	±.15	±.06	±.01



- NOTES:
- MATERIAL: COPPER TUBING.
 - FINISH: TIN PLATED.
 - CAT NO. PUADP-1 ADAPTOR IS REQUIRED TO USE 'U' DIES IN Y46 SERIES TOOLS.
 - DIMENSIONS IN BRACKETS [] ARE IN MILLIMETERS ROUNDED OFF TO THE NEAREST MILLIMETER, UNLESS OTHERWISE NOTED, AND ARE FOR REFERENCE ONLY.
 - CAT. NO. PT6515 ADAPTER IS REQUIRED TO USE "U" TYPE DIES IN Y45 TOOLS.

TO ORDER BURNDY® PRODUCTS CALL
 UNITED STATES
 1-800-346-4175 (LONDONDERRY, NH)
 CANADA:
 1-800-361-6975 (QUEBEC)
 1-800-387-6487 (ALL OTHER PROVINCES)
 FOR PRODUCT INFO: <http://www.burndy.com>

HYLUG™ COPPER (NARROW TONGUE)

ITEM NO:	N/A
CAT. NO:	YA-L-NT-(TABLE)
DRAWN BY:	AUGUSTIN.S 07/03/10
CHECKER:	--
DSN APPVL:	J MICHAUD 06/11/11
MFG APPVL:	T THRELFALL 06/23/11
QA APPVL:	T WATTS 06/13/11
MKT APPVL:	J SYLVIA 06/13/11
PROD FAM:	CM&R COMPRESSION
PROJECT #:	--
DOCUMENT TYPE:	Sales
REL LEVEL:	Released

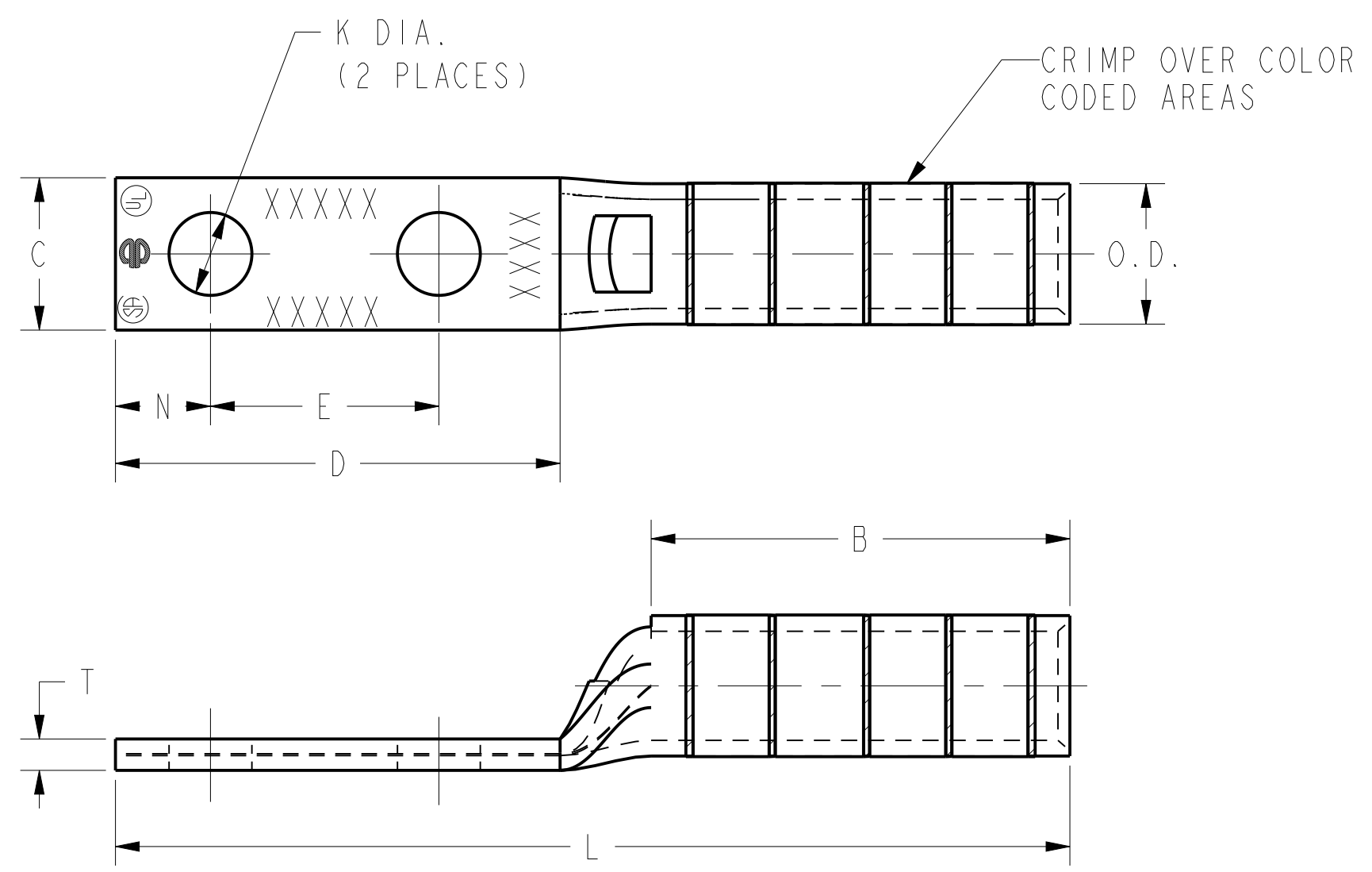
BURNDY

DRAWING NO	30003952
SCALE	3:1
SIZE	D
SHEET	8 OF 12
REV	M

REV: PE0200

CATALOG NUMBER	FIG. NO.	CONDUCTOR		STUD HOLE SIZE	DIMENSIONS									DIELESS (# OF CRIMPS)	INSTALLATION TOOLING								WIRE STRIP LENGTH	
		AWG	MM ²		O.D.	B	C	D MIN.	E	K DIA.	L	N	T		MECHANICAL		HYDRAULIC				COLOR CODE	DIE INDEX		
															MD6, OUR840, MD7-34R	BCT500HS, Y500CTHS	Y35, Y39, Y750, PAT750	Y46 PAT46	Y45	Y48				Y60
YAZV4C2NT14E2FX	5	#4 AWG #4 WELD 91/24 105/24	---	1/4"	.38 [10]	1.25 [32]	.44 [11]	1.40 [36]	.75 [19]	.27 [7]	2.95 [75]	.31 [8]	.09 [2]	Y1MRTC(4) MY29-11(2) Y644HS(1) Y81KFT(1) Y81KFTMBH(1) PAT81KFT-18V(1)	W4CVT(2) W4CRT(2) X4CRT(2)	W4CVT(2) W4CRT(2) X4CRT(2)	U4CRT(2)	U4CRT(2)	U4CRT(2)	--	--	GRAY	8	1-5/16"
YAZV2C2NT14E2FX	5	#2 AWG #2 WELD 125/24 150/24	35	1/4"	.46 [12]	1.38 [35]	.50 [13]	1.40 [36]	.75 [19]	.27 [7]	3.14 [80]	.31 [8]	.10 [3]	Y1MRTC(4) MY29-11(4) Y644HS(1) Y81KFT(1) Y81KFTMBH(1) PAT81KFT-18V(1)	W2CVT(2) W2CRT(2) X2CRT(2)	W2CVT(2) W2CRT(2) X2CRT(2)	U2CRT(2)	U2CRT(2)	U2CRT(2)	--	--	BROWN	10	1-7/16"
YAZV282NT38FX	5	4/0 AWG 4/0 WELD 550/24	---	3/8"	.77 [20]	1.62 [41]	.94 [24]	1.84 [47]	1.00 [25]	.40 [10]	3.96 [101]	.41 [10]	.17 [20]	MY29-11(2) Y644HS(1) Y81KFT(2) Y81KFTMBH(2) PAT81KFT-18V(2)	W28VT(4) W28RT(4) X28RT(6)	W28VT(4) W28RT(4) X28RT(6)	U28RT(2)	U28RT(2)	U28RT(2)	C28R(1)	L28RT(1)	PURPLE	15	1-11/16"
YAZV292NT516FX	5	4/0 FLEX CLASS I,K,M	---	5/16"	.80 [20]	2.00 [51]	.96 [24]	1.71 [44]	1.00 [25]	.33 [8]	4.28 [109]	.34 [9]	.16 [4]	Y644HS(1) Y81KFT(2) Y81KFTMBH(2) PAT81KFT-18V(2)	W29VT(4) X29RT(8)	W29RT(4) X29RT(8)	U29RT(2)	U29RT(2)	U29RT(2)	C29R(1)	L29RT(1)	YELLOW	16	2-1/16"
YAZ342NT38FX	5	373.7 kcmil 925/24 350 FLEX	240	3/8"	1.06 [27]	2.25 [57]	.96 [24]	1.84 [47]	1.00 [25]	.40 [10]	4.85 [123]	.41 [10]	.23 [6]	Y644HS(1) Y81KFT(2) Y81KFTMBH(2) PAT81KFT-18V(2)	W32VT(4)	W32RT(4) W32RT(4)	U32RT(4)	U32RT(4)	U32RT(4)	C32R(2)	L32RT(2)	BLUE	19	2-5/16"
YAZ382ENT38FX	5	535.3 kcmil 1325/24 500 FLEX	300	3/8"	1.25 [32]	2.81 [71]	1.46 [37]	2.02 [51]	1.00 [25]	.41 [10]	5.72 [145]	.50 [13]	.27 [7]	Y644HS(1) Y81KFT(2) Y81KFTMBH(2) PAT81KFT-18V(2)	----	----	U38XRT(4)	U38XRT(4)	U38XRT(4)	C38R(2)	L38RT(2)	PINK	L99	2-7/8"

TOLERANCE BLOCK							
CONNECTOR SIZE	TOLERANCES						
	B	C	E	K DIA.	L	N	O.D.
-8C THRU -25	±.06	±.04	±.02	±.02	±.09	±.03	±.01
-26 THRU -34	±.08	±.04	±.02	±.02	±.12	±.03	±.01
-35 AND UP	±.09	±.06	±.02	±.02	±.15	±.06	±.01



- NOTES:
- MATERIAL: COPPER TUBING.
 - FINISH: TIN PLATED.
 - CAT NO. PUADP-1 ADAPTOR IS REQUIRED TO USE "U" DIES IN Y46 SERIES TOOLS.
 - DIMENSIONS IN BRACKETS [] ARE IN MILLIMETERS ROUNDED OFF TO THE NEAREST MILLIMETER, AND ARE FOR REFERENCE ONLY.
 - CAT. NO. PT6515 ADAPTER IS REQUIRED TO USE "U" TYPE DIES IN Y45 TOOLS.

TO ORDER BURNDY® PRODUCTS CALL
 UNITED STATES
 1-800-346-4175 (LONDONDERRY, NH)
 CANADA:
 1-800-361-6975 (QUEBEC)
 1-800-387-6487 (ALL OTHER PROVINCES)
 FOR PRODUCT INFO: <http://www.burndy.com>

HYLUG™ COPPER (NARROW TONGUE)

ITEM NO:	N/A
CAT. NO:	YA-L-NT-(TABLE)
DRAWN BY:	AUGUSTIN.S 07/03/10
CHECKER:	--
DSN APPVL:	J MICHAUD 06/11/11
MFG APPVL:	T THRELFALL 06/23/11
QA APPVL:	T WATTS 06/13/11
MKT APPVL:	J SYLVIA 06/13/11
PROD FAM:	CM&R COMPRESSION
PROJECT #:	--
DOCUMENT TYPE:	Sales
REL LEVEL:	Released

BURNDY

DRAWING NO	30003952
SCALE	3:1
REV	M
SHEET	9 OF 12

REV	DATE	DESCRIPTION	ECO	BY	C'H'K.
M	01/09/2015 00:00:00 AM	FOCUS REQUEST # 1501023	38933	MS	MB

CATALOG NUMBER	FIG. NO.	CONDUCTOR		STUD HOLE SIZE	DIMENSIONS									INSTALLATION TOOLING										WIRE STRIP LENGTH	
		AWG	MM ²		O.D.	B	C	D MIN.	E	K DIA.	L	N	T	DIELESS (# OF CRIMPS)	MECHANICAL		HYDRAULIC						COLOR CODE		DIE INDEX
															MD6, OUR840, MD7-34R	BCT500HS, Y500CTHS	Y35, Y39, Y750, PAT750	Y46 PAT46	Y45	Y48	Y60				
YAZ382NNTFX	5	535.3 kcmil 1325/24 500 FLEX	300	1/2"	1.25 [32]	2.81 [71]	1.62 [41]	3.02 [77]	1.75 [44]	.56 [14]	6.72 [171]	.62 [16]	.27 [7]	Y644HS(1) Y81KFT(2) Y81KFTMBH(2) PAT81KFT-18V(2)	----	----	U38XRT(4)	U38XRT(4)	U38XRT(4)	--	L38RT(2)	PINK	L99	2-7/8"	
YAZ382NT38FX	5	535.3 kcmil 1325/24 500 FLEX	300	3/8"	1.25 [32]	2.81 [71]	1.62 [41]	2.03 [51]	1.00 [25]	.41 [10]	5.72 [145]	.50 [13]	.27 [7]	Y644HS(1) Y81KFT(2) Y81KFTMBH(2) PAT81KFT-18V(2)	----	----	U38XRT(4)	U38XRT(4)	U38XRT(4)	--	L38RT(2)	PINK	L99	2-7/8"	
YAZ442NT38FX	5	777.7 kcmil 1925/24 750 FLEX	500	3/8"	1.50 [38]	3.00 [76]	1.62 [41]	2.03 [51]	1.00 [25]	.40 [10]	6.09 [155]	.50 [13]	.33 [8]	----	----	----	U44XRT(4)	U44XRT(4)	U44XRT(4)	C44RT(2)	L44RT(2)	YELLOW	L115	3-1/16"	

TOLERANCE BLOCK							
CONNECTOR SIZE	TOLERANCES						
	B	C	E	K DIA.	L	N	O.D.
-8C THRU -25	±.06	±.04	±.02	±.02	±.09	±.03	±.01
-26 THRU -34	±.08	±.04	±.02	±.02	±.12	±.03	±.01
-35 AND UP	±.09	±.06	±.02	±.02	±.15	±.06	±.01

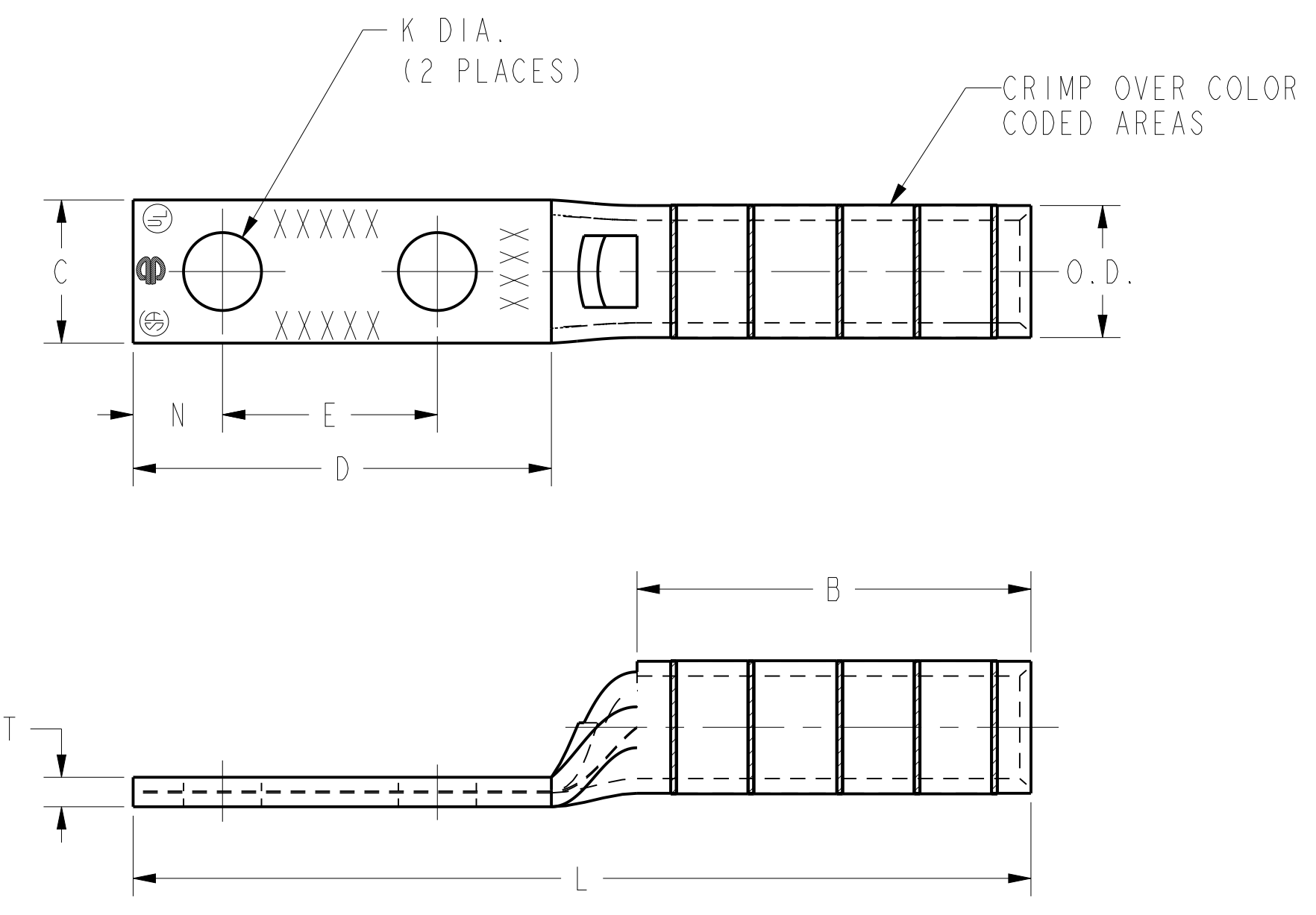


FIG. 5

- NOTES:
- MATERIAL: COPPER TUBING.
 - FINISH: TIN PLATED.
 - CAT NO. PUADP-1 ADAPTOR IS REQUIRED TO USE "U" DIES IN Y46 SERIES TOOLS.
 - DIMENSIONS IN BRACKETS [] ARE IN MILLIMETERS ROUNDED OFF TO THE NEAREST MILLIMETER, UNLESS OTHERWISE NOTED, AND ARE FOR REFERENCE ONLY.
 - CAT. NO. PT6515 ADAPTER IS REQUIRED TO USE "U" TYPE DIES IN Y45 TOOLS.

TO ORDER BURNDY® PRODUCTS CALL		HYLUG™ COPPER (NARROW TONGUE)	
UNITED STATES 1-800-346-4175 (LONDONDERRY, NH)		ITEM NO: N/A	CAT. NO: YA-L-NT-(TABLE)
CANADA: 1-800-361-6975 (QUEBEC) 1-800-387-6487 (ALL OTHER PROVINCES)		DRAWN BY: AUGUSTIN.S 07/03/10	CHECKER: --
FOR PRODUCT INFO: http://www.burndy.com		DSN APPVL: J MICHAUD 06/11/11	MFG APPVL: T THRELFALL 06/23/11
		QA APPVL: T WATTS 06/13/11	MKT APPVL: J SYLVIA 06/13/11
		PROD FAM: CM&R COMPRESSION	DRAWING NO: 30003952
		PROJECT #: --	SCALE: 3:1
		DOCUMENT TYPE: Sales	REV: M
		REL LEVEL: Released	SHEET 10 OF 12

REV	DATE	DESCRIPTION	ECO	BY	C'K
M	01/09/2015 00:00:00 AM	FOCUS REQUEST # 1501023	38933	MS	MB

REV: PEO200

DRAWING NO. 30003952	7	6	5	4	3	2	1	CONDUCTOR		DIMENSIONS							INSTALLATION TOOLING								WIRE STRIP LENGTH						
								CATALOG NUMBER	FIG. NO.	AWG	MM ²	STUD HOLE SIZE	O.D.	B	C	D MIN.	E	K DIA.	L	N	T	DIELESS (# OF CRIMPS)	MECHANICAL			HYDRAULIC				COLOR CODE	DIE INDEX
																							MD6, OUR840, MD7-34R	BCT500HS, Y500CTHS		Y35, Y39, Y750, PAT750	Y46 PAT46	Y45	Y48		
YAZ442NNT	6	1000 kcmil	500	1/2"	1.50 [38]	3.00 [76]	1.62 [41]	3.08 [78]	1.75 [44]	.56 [14]	7.08 [180]	.65 [17]	.33 [8]	----	----	----	----	P44RT(4)	S44RT(4)	C44R(2)	L44RT(2)	WHITE	27	3-1/16"							

TOLERANCE BLOCK							
CONNECTOR SIZE	TOLERANCES						
	B	C	E	K DIA.	L	N	O.D.
-8C THRU -25	±.06	±.04	±.02	±.02	±.09	±.03	±.01
-26 THRU -34	±.08	±.04	±.02	±.02	±.12	±.03	±.01
-35 AND UP	±.09	±.06	±.02	±.02	±.15	±.06	±.01

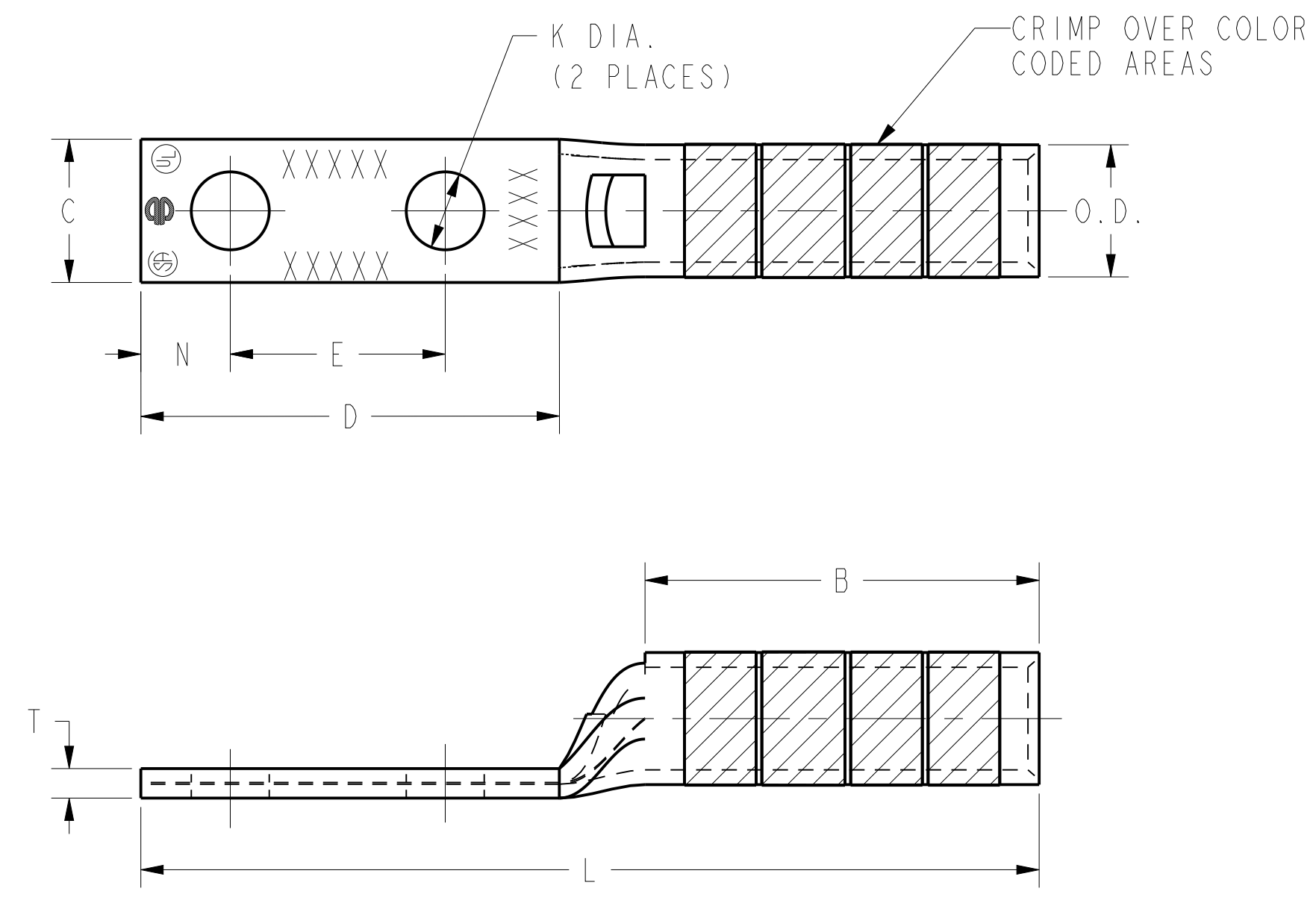


FIG. 6

- NOTES:
- MATERIAL: COPPER TUBING.
 - FINISH: TIN PLATED.
 - CAT NO. PUADP-1 ADAPTOR IS REQUIRED TO USE "U" DIES IN Y46 SERIES TOOLS.
 - DIMENSIONS IN BRACKETS [] ARE IN MILLIMETERS ROUNDED OFF TO THE NEAREST MILLIMETER, UNLESS OTHERWISE NOTED, AND ARE FOR REFERENCE ONLY.
 - CAT. NO. PT6515 ADAPTER IS REQUIRED TO USE "U" TYPE DIES IN Y45 TOOLS.

TO ORDER BURNDY® PRODUCTS CALL		HYLUG™ COPPER (NARROW TONGUE)	
UNITED STATES 1-800-346-4175 (LONDONDERRY, NH)		ITEM NO: N/A	CAT. NO: YA-L-NT-(TABLE)
CANADA: 1-800-361-6975 (QUEBEC) 1-800-387-6487 (ALL OTHER PROVINCES)		DRAWN BY: AUGUSTIN.S 07/03/10	CHECKER: --
FOR PRODUCT INFO: http://www.burndy.com		DSN APPVL: J MICHAUD 06/11/11	MFG APPVL: T THRELFALL 06/23/11
		QA APPVL: T WATTS 06/13/11	MKT APPVL: J SYLVIA 06/13/11
		PROD FAM: CM&R COMPRESSION	DRAWING NO: 30003952
		PROJECT #: --	SCALE: 2:1
		DOCUMENT TYPE: Sales	REV: M
		REL LEVEL: Released	SHEET 11 OF 12

REV	DATE	DESCRIPTION	ECO	BY	C'K'K.
M	01/09/2015 00:00:00 AM	FOCUS REQUEST # 1501023	38933	MS	MB

REV: PEO200

CATALOG NUMBER	FIG. NO.	CONDUCTOR		STUD HOLE SIZE	DIMENSIONS									DIELESS (# OF CRIMPS)	INSTALLATION TOOLING								WIRE STRIP LENGTH	
		AWG	MM ²		O.D.	B	C	D MIN.	H REF.	K DIA.	L	N	T		MECHANICAL		HYDRAULIC				COLOR CODE	DIE INDEX		
															MD6, OUR840, MD7-34R	BCT500HS, Y500CTHS	Y35, Y39, Y750, PAT750	Y46 PAT46	Y45	Y48				Y60
YA32LNT3890	I	400 kcmil	--	3/8" [M10]	.95 [24]	1.19 [30]	.96 [24]	.85 [26]	2.19 [56]	.41 [10]	1.45 [37]	.41 [10]	.19 [5]	Y644HS (1) Y81KFT(2) Y81KFTMBH (2) PAT81KFT-18V (2)	W32VT(4)	----	U32RT(2)	U32RT(2)	U32RT(2)	C32R(1)	L32RT(1)	BLUE	19 OR 470	1-1/4"

TOLERANCE BLOCK							
CONNECTOR SIZE	TOLERANCES						
	B	C	E	K DIA.	L	N	O.D.
-8C THRU -25	±.06	±.04	±.02	±.02	±.09	±.03	±.01
-26 THRU -34	±.08	±.04	±.02	±.02	±.12	±.03	±.01
-35 AND UP	±.09	±.06	±.02	±.02	±.15	±.06	±.01

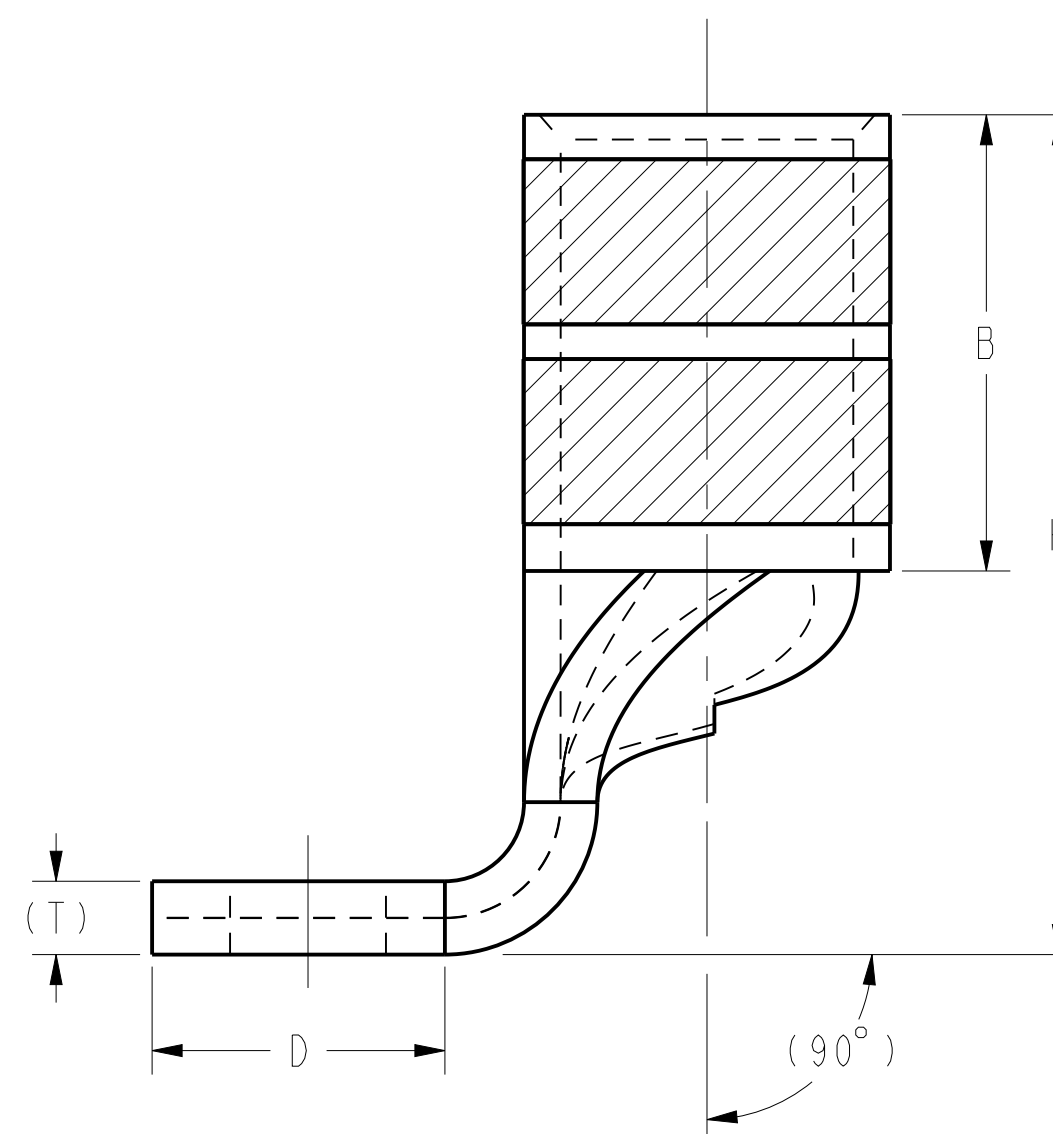
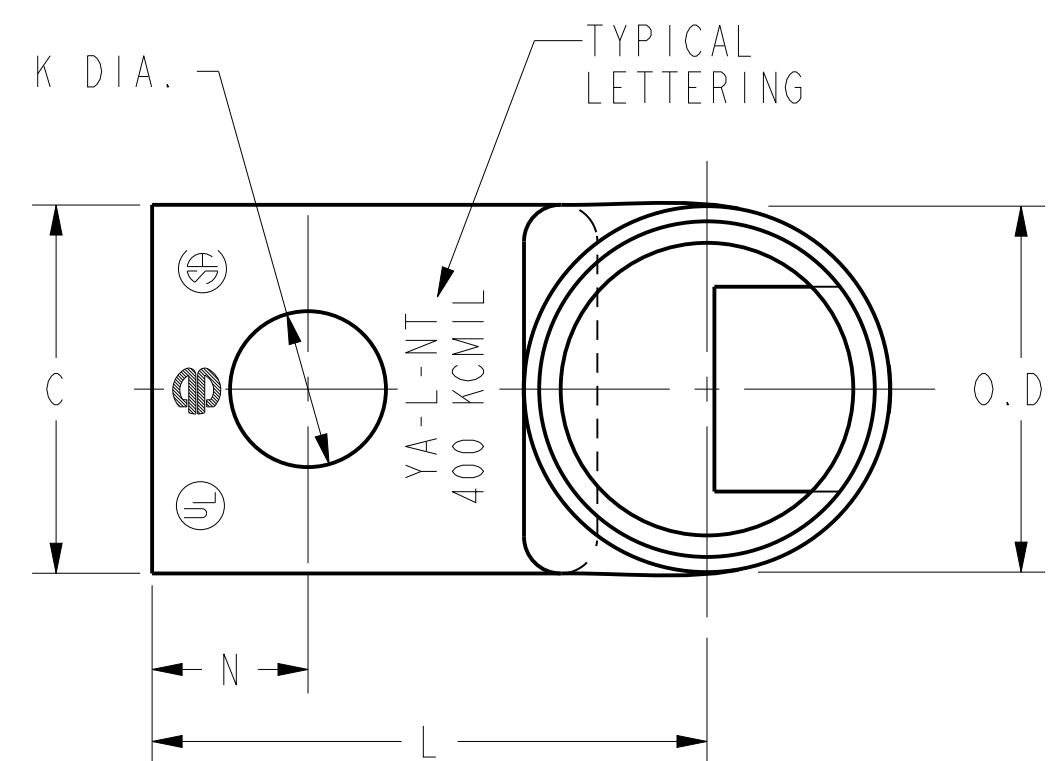


FIG. 1.

NOTES:

- MATERIAL: COPPER TUBING.
- FINISH: TIN PLATED.
- CAT. NO. PUADP-1 ADAPTOR IS REQUIRED TO USE "U" DIES IN Y46 SERIES TOOLS.
- DIMENSIONS IN BRACKETS [] ARE IN MILLIMETERS ROUNDED OFF TO THE NEAREST MILLIMETER, UNLESS OTHERWISE NOTED, AND ARE FOR REFERENCE ONLY.
- CAT. NO. PT6515 ADAPTOR IS REQUIRED TO USE "U" TYPE DIES IN Y45 TOOLS.

TO ORDER BURNDY® PRODUCTS CALL		HYLUG™ COPPER (NARROW TONGUE)	
UNITED STATES 1-800-346-4175 (LONDONDERRY, NH)		ITEM NO: N/A	CAT. NO: YA-L-NT-(TABLE)
CANADA: 1-800-361-6975 (QUEBEC) 1-800-387-6487 (ALL OTHER PROVINCES)		DRAWN BY: AUGUSTIN.S 07/03/10	CHECKER: --
FOR PRODUCT INFO: http://www.burndy.com		DSN APPVL: J MICHAUD 06/11/11	MFG APPVL: T THRELFALL 06/23/11
		QA APPVL: T WATTS 06/13/11	MKT APPVL: J SYLVIA 06/13/11
		PROD FAM: CM&R COMPRESSION	DRAWING NO: 30003952
		PROJECT #: --	SIZE: D
		DOCUMENT TYPE: Sales	SHEET 12 OF 12
		REL LEVEL: Released	REV: M

REV	DATE	DESCRIPTION	ECO	BY	C'K'
M	01/09/2015 00:00:00 AM	FOCUS REQUEST # 1501023	38933	MS	MB