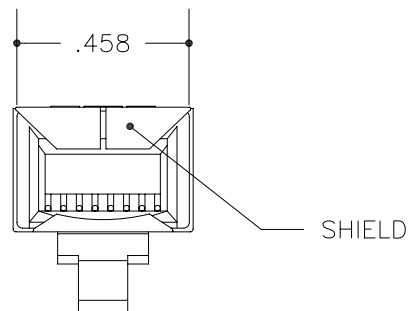
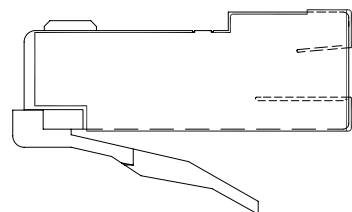
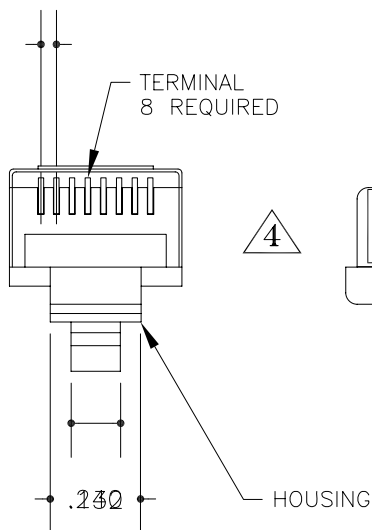


.040 7 PLACES



1. MATERIAL: HOUSING-POLYCARBONATE, CLEAR.
SHIELD - COPPER ALLOY
TERMINALS - .014 THICK PHOSPHOR BRONZE
PLATED WITH 50μ THICK GOLD IN LOCALIZED
GOLD PLATE AREA, GOLD FLASH OVER THE
REMAINDER, OVER .000100 THICK NICKEL
UNDERPLATE.
2. ALL DIMENSIONS SHOWN ARE MAXIMUM UNLESS
OTHERWISE SPECIFIED.
3. PLUG WILL ACCEPT .029-.039 DIAMETER
STRANDED WIRE, 28-24 AWG, WITH A
.210 DIAMETER MAXIMUM JACKET.
4. TERMINATED DIMENSION .242 MAXIMUM.

-ELECTRICAL TEST:

- .250V AC MAX. AT 2 AMPS
- .DIELECTRIC WITHSTANDING 500 VOLTS AC
- .INSULATION RESISTANCE: 500 MEGAOHMS
- .TERMINATION RESISTANCE: 35 MAX. AFTER
ENVIRONMENTAL TEST

-MECHANICAL:

- .CABLE-TO-PLUG TENSILE STRENGTH - 20 LBS.
(89N) MIN.
- .DURABILITY: 200 MATING CYCLES

-OPERATING TEMPERATURE:

- .-40°C + 125°C

5. SUITABLE FOR CAT5E CABLE INSTALLATIONS.



SHAXON INDUSTRIES
4950 EAST HUNTER AVE.
ANAHEIM, CA. 92807

DESCRIPTION: SHIELDED MODULAR PLUG, RJ45 (8P8C), ROUND STRANDED CABLE

CHK:

APRVD:

REV.: C

DWG BY: A. MEDINA

DATE: 08/17/2010

COLOR:

MATERIAL:



D.S. 1315

DWG NO.

THIS DRAWING IS THE EXCLUSIVE PROPERTY OF SHAXON INDUSTRIES, INC. ITS ACCEPTANCE CONSTITUTES AN AGREEMENT THAT SHOULD BE TREATED AS A STRICTLY CONFIDENTIAL DOCUMENT TO BE USED FOR NO OTHER PURPOSE THAN TO AID IN THE ASSEMBLY OR OPERATION OF UNITS FURNISHED BY OR FOR SHAXON IND. INC. OR OTHERWISE AS EXPRESSLY AUTHORIZED IN WRITING BY SHAXON IND. INC. THAT IT IS RETURNED UPON REQUEST AND IS NOT TO BE COMMUNICATED, DISCLOSED OR COPIED EXCEPT AS EXPRESSLY AUTHORIZED IN WRITING BY SHAXON INDUSTRIES INC. AutoCAD Release 12 c1a, Serial #: 110-10626948

DO NOT SCALE

PART NO.:

UL160-8